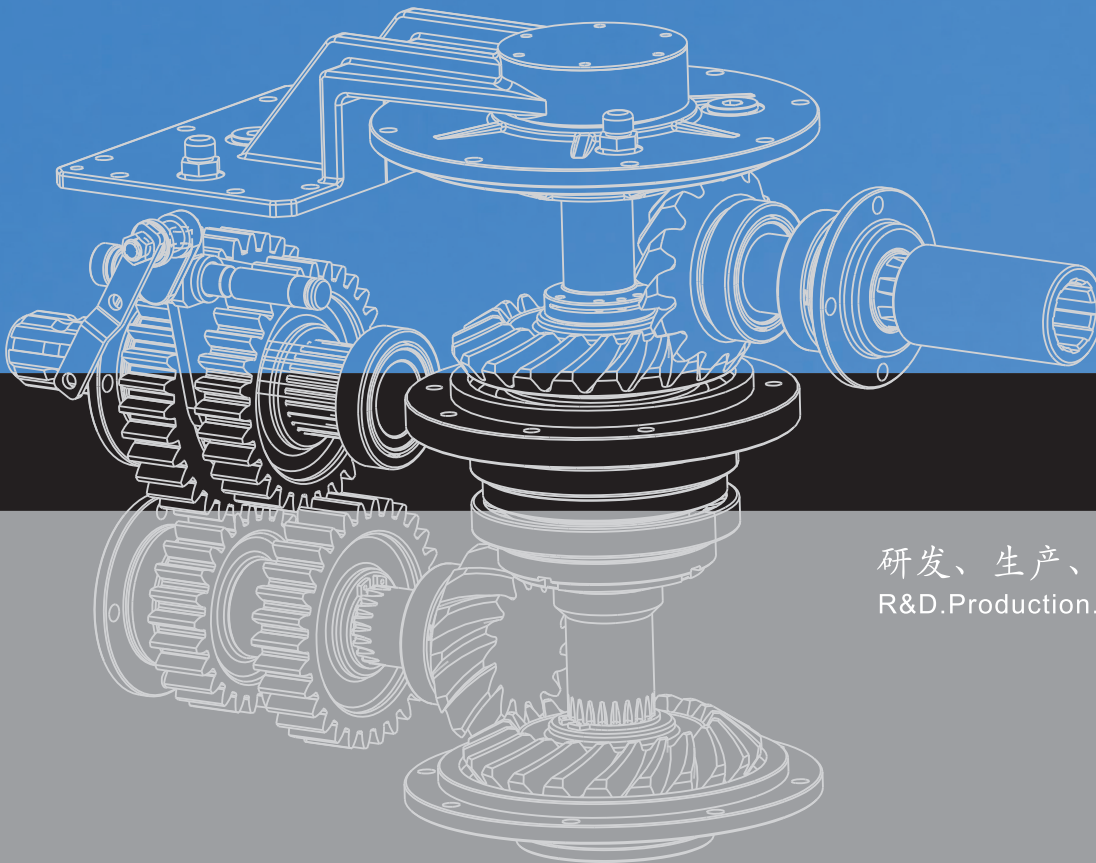




产品选型手册

GEARBOXES



研发、生产、销售
R&D.Production.Sales

凯临钒机械（杭州）有限公司
KADIVA MACHINERY (HANGZHOU) CO.,LTD
<http://www.hz-kadiva.com>

凯临钒机械（杭州）有限公司是一家专业生产、研发、销售齿轮箱、变速箱的企业，为拓展海外市场并成立了杭州凯临钒传动科技有限公司。公司坐落于浙江省杭州市萧山经济技术开发区，距离机场10分钟、火车站30分钟车程，交通十分便利。

公司拥有专业的技术研发团队和优秀的管理人员，拥有多项发明专利，且多项产品研发专利属国内首创。公司通过了ISO9001认证，获得了浙江省专精特新中小企业、国家级科技型中小企业、国家高新技术企业等荣誉称号。

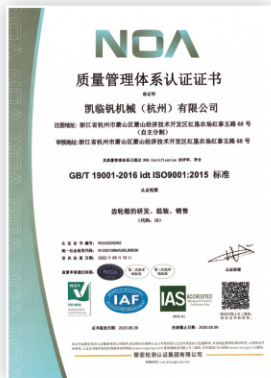
近年来，公司秉承“锐意创新，与时俱进，智造未来”的理念和精神，致力于高端齿轮箱、变速箱研发与制造，为行业内客户提供了完整的技术支持和设计研发案例，并且受到了客户的广泛好评。同时也是国内外多家公司的优秀供应商及战略合作伙伴。

公司具有丰富的生产经验，组织机构完善，经过几年的发展，公司现拥有员工60余人，具有一批经验丰富的管理人才和训练有素的高级技术人员，生产一线的职工技术过硬、质量意识强、有团队合作精神。具备年产中大型齿轮箱1万台/套，小型齿轮箱10万台/套的生产能力。

公司遵循“以人为本、科技创新、持续改进”的经营理念，弘扬“团结、奋进、创新、高效”的企业精神，实施“质量求生存，诚信待用户”的质量方针，采用科学的管理模式，实现了企业快速高效的发展。凭借着优质的产品和完善的服务，我们期待着于您的合作！

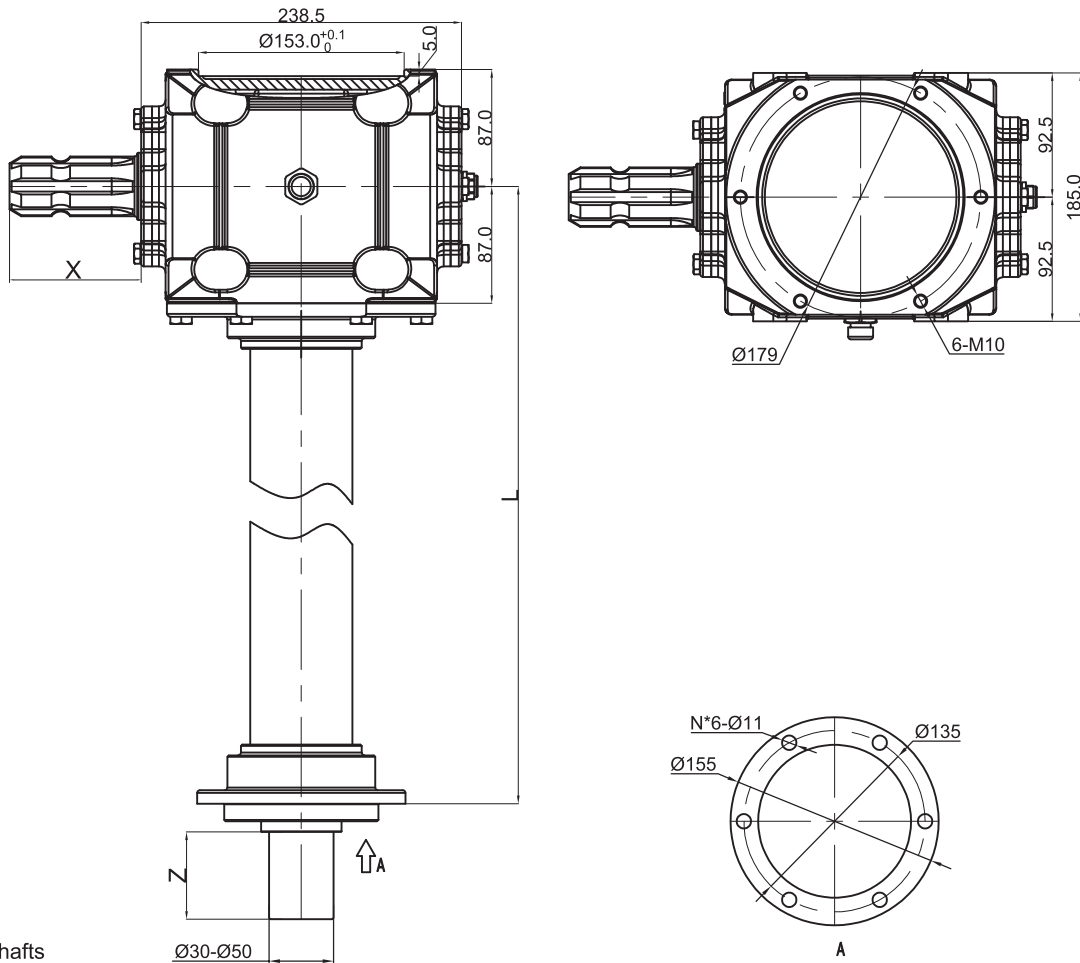


荣誉证书



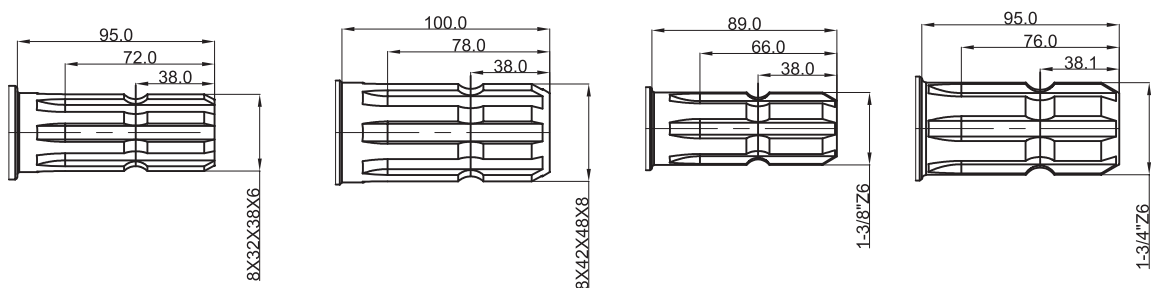


尺寸/Dimensions



轴/Shfts

Ø30-Ø50

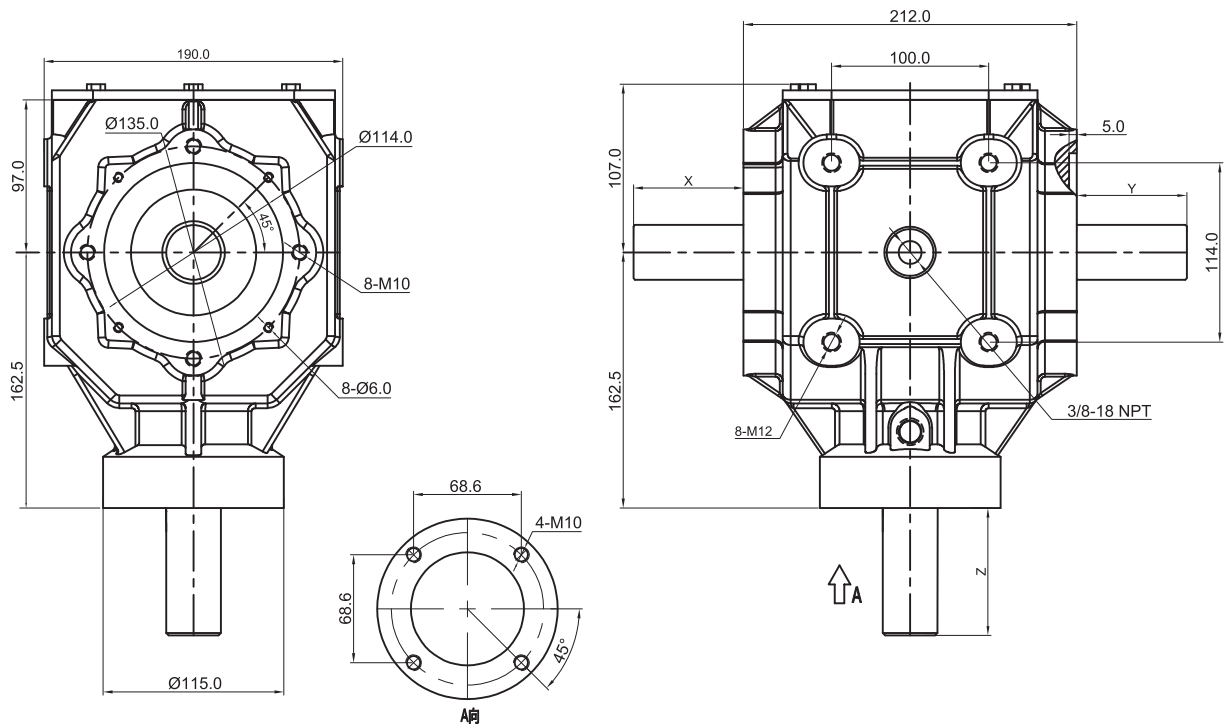


技术参数/Technical Data

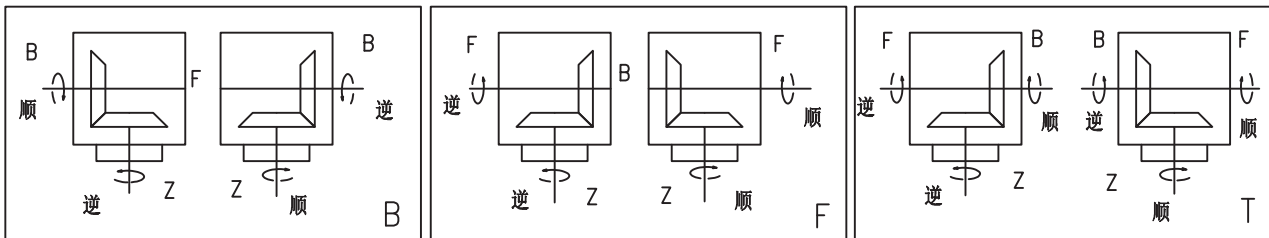
应用/USE	速比/RATIO	输入/INPUT				输出/OUTPUT	
		r.p.m	Hp	Kw	N.m	r.p.m	N.m
减速/SPEED REDUCER	1.31:1	540	62	45	796	412	1043

备注: 如需其它要求可定制/Remark: If you have any special require feel free let me know, we also accept custom.

尺寸/Dimensions



Turn/转向

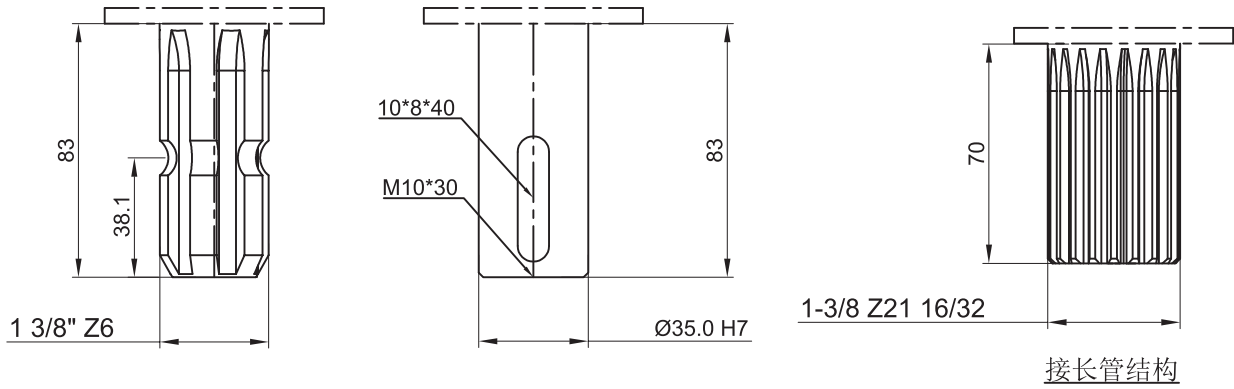


技术参数/Technical Data

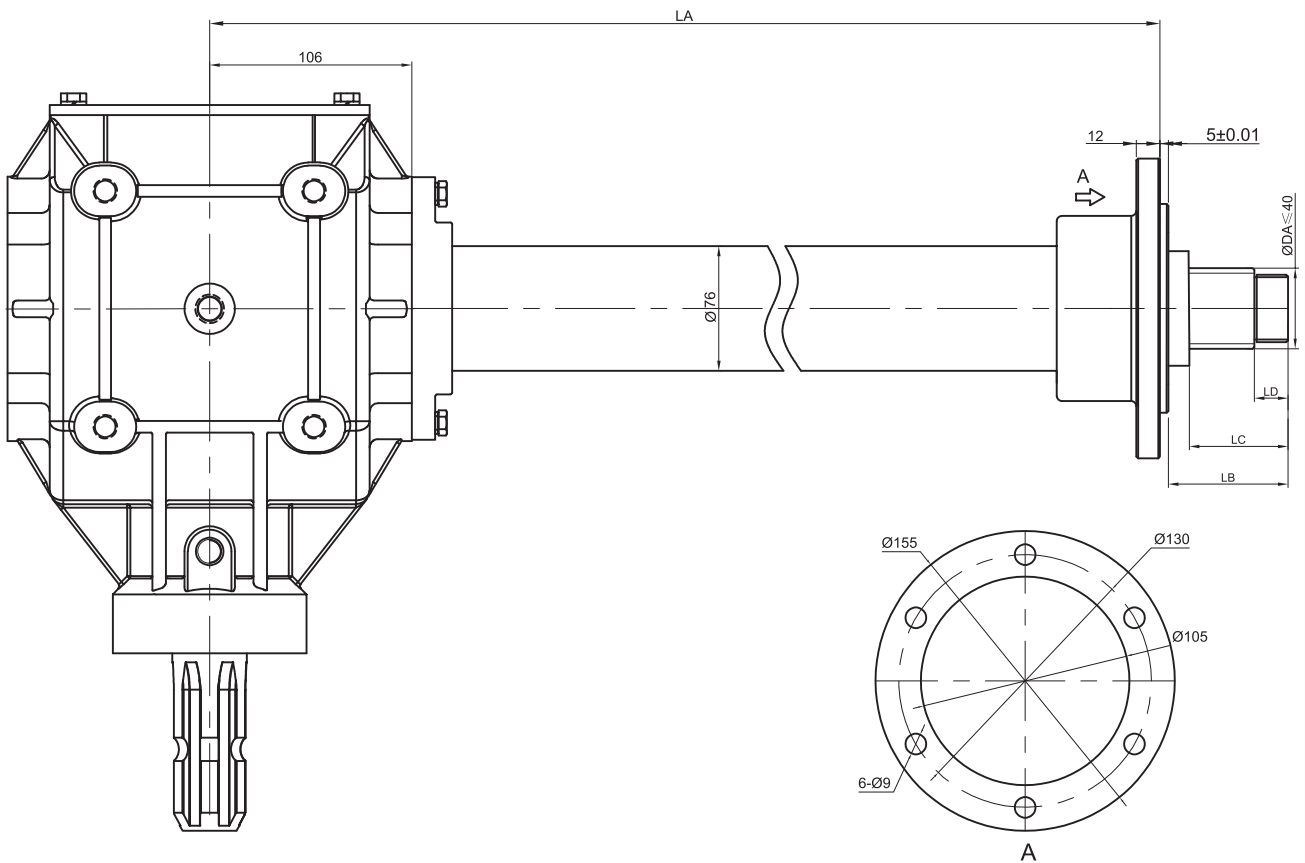
应用/USE	速比/RATIO	输入/INPUT				输出/OUTPUT	
		r.p.m	Hp	Kw	N.m	r.p.m	N.m
减速/SPEED REDUCER	1.93:1	540	38	28	495	280	955
	1.46:1	540	63	46	813	370	1187

备注: 如需其它要求可定制/Remark: If you have any special require feel free let me know, we also accept custom.

轴/Shsfts

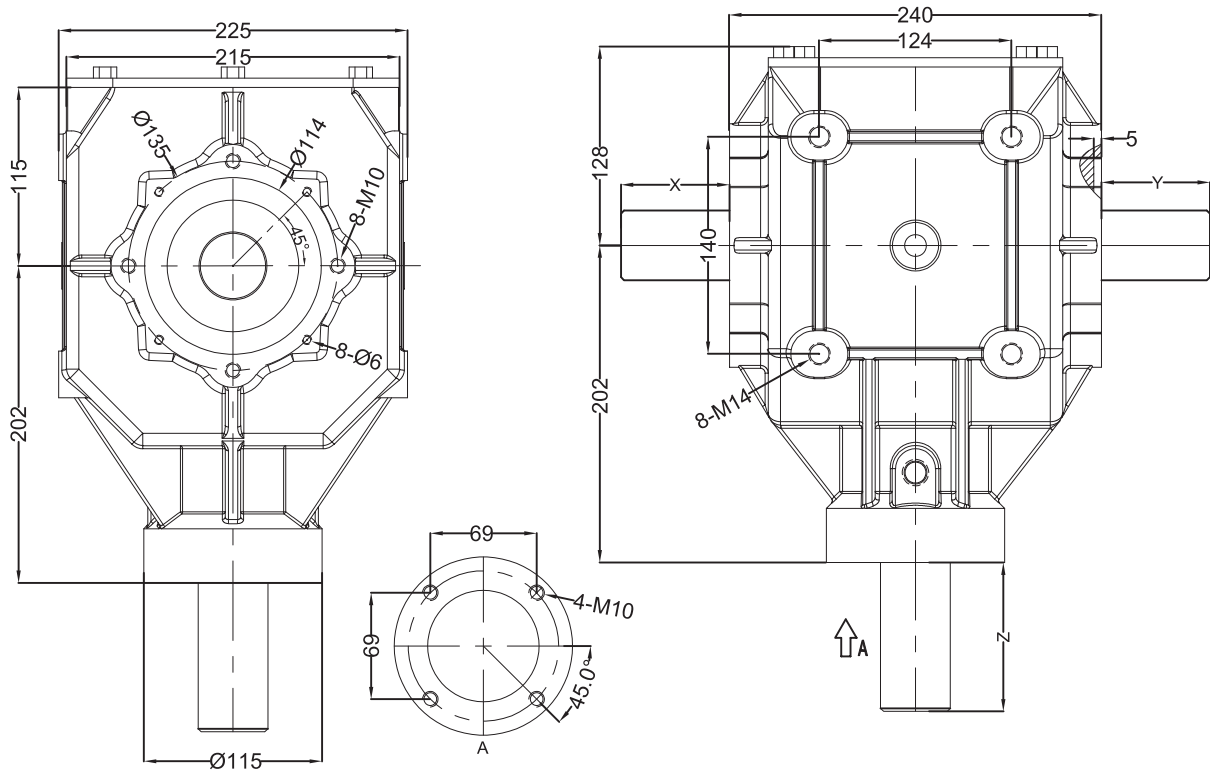


接长管/Extension pipe

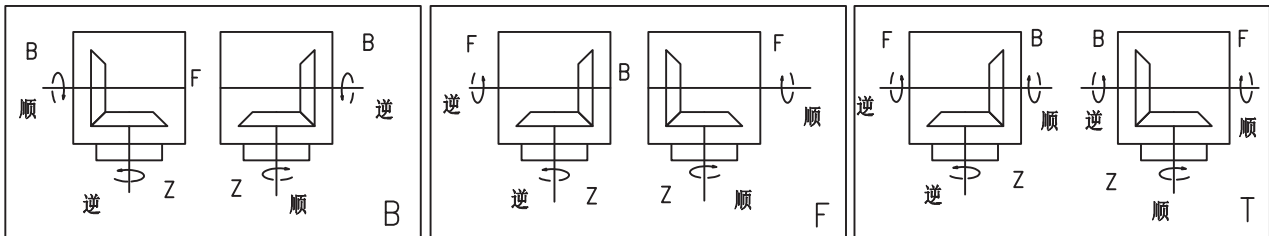


备注：如需其它要求可定制/Remark: If you have any special require feel free let me know, we also accept custom.

尺寸/Dimensions



Turn/转向

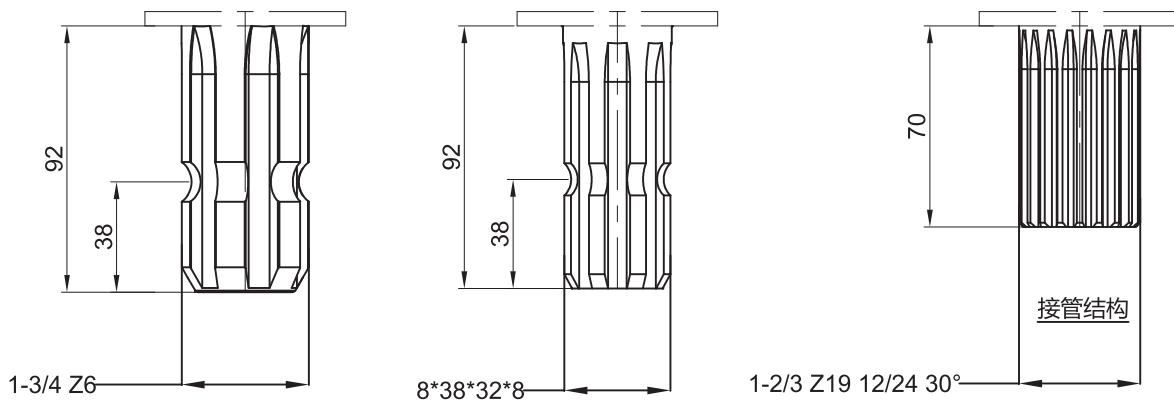


技术参数/Technical Data

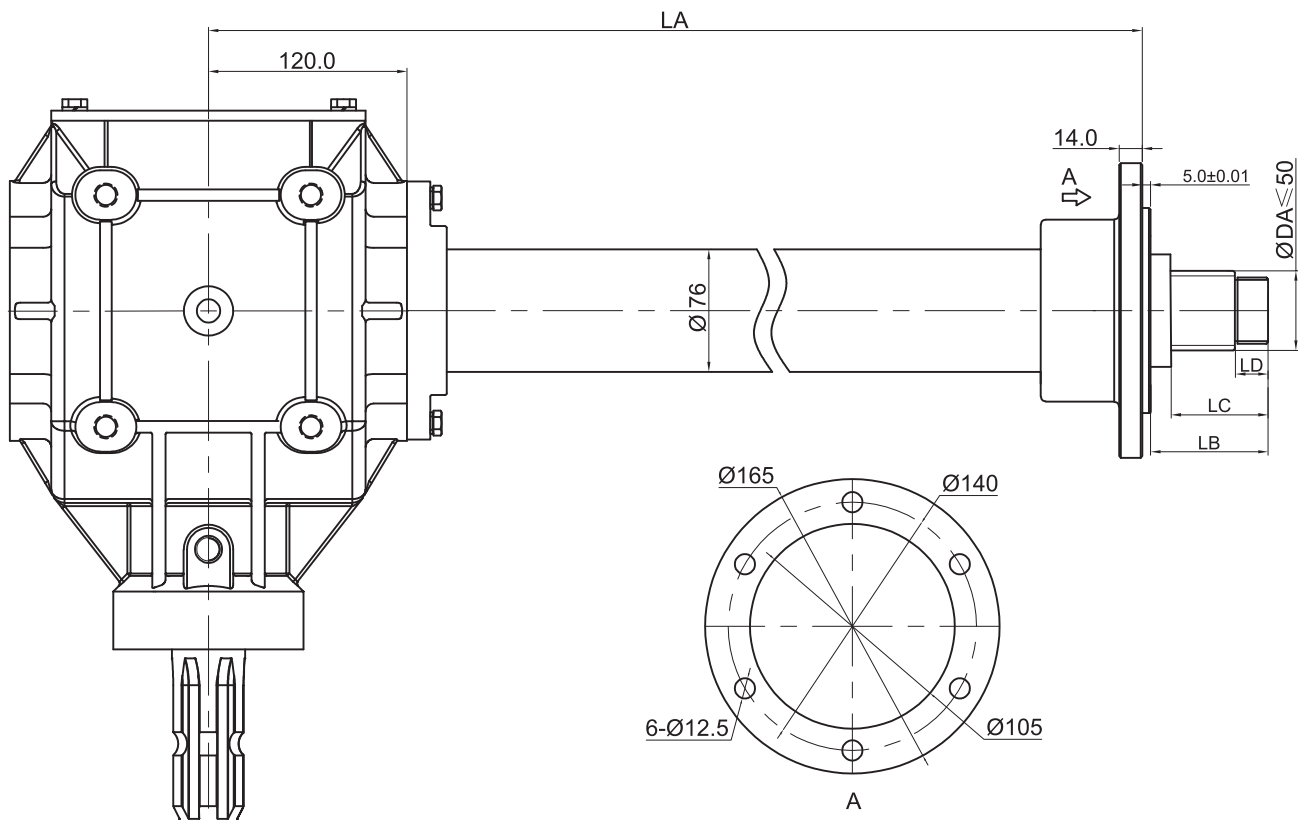
应用/USE	速比/RATIO	输入/INPUT				输出/OUTPUT	
		r.p.m	Hp	Kw	N.m	r.p.m	N.m
减速/SPEED REDUCER	1.93:1	540	78	57	1008	280	1944
	1.46:1	540	109	80	1415	370	2065

备注: 如需其它要求可定制/Remark: If you have any special require feel free let me know, we also accept custom.

轴/Shfts

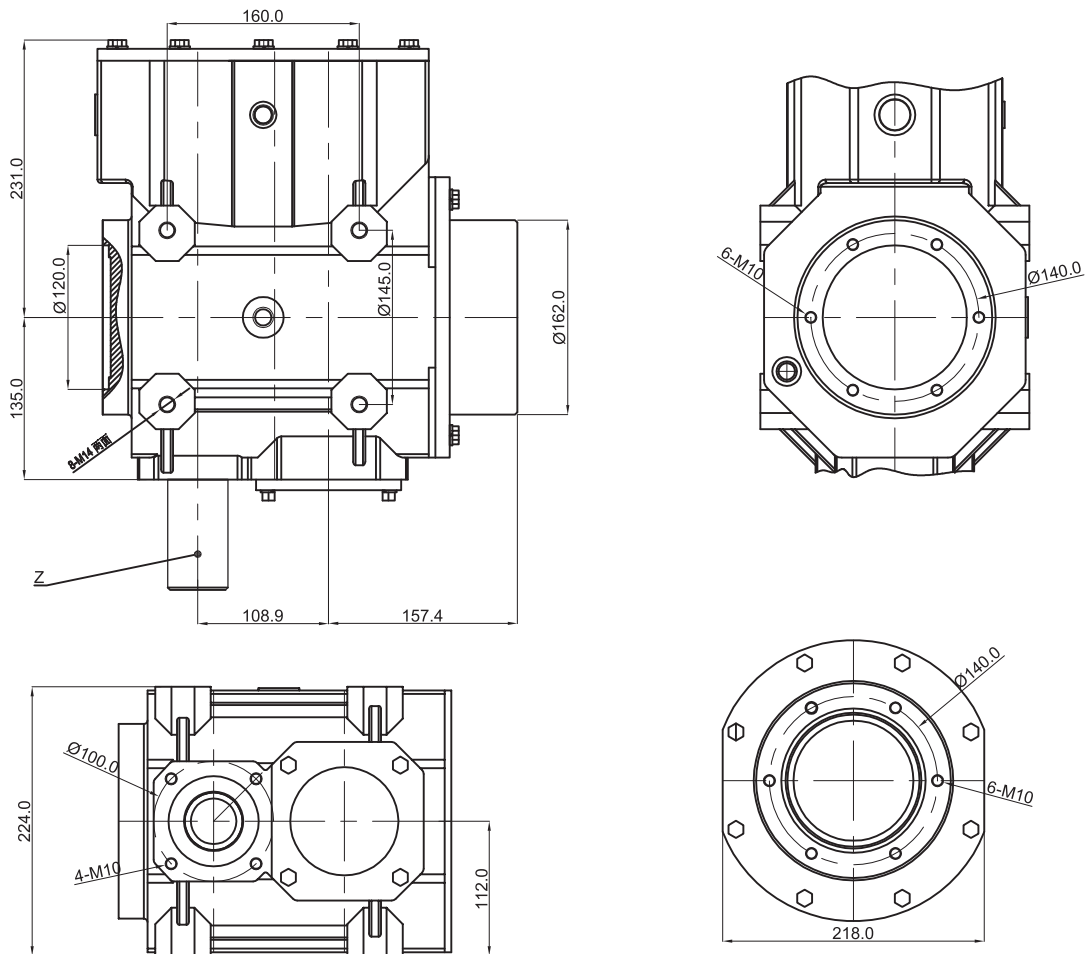


接长管/Extension pipe



备注: 如需其它要求可定制/Remark: If you have any special require feel free let me know, we also accept custom.

尺寸/Dimensions

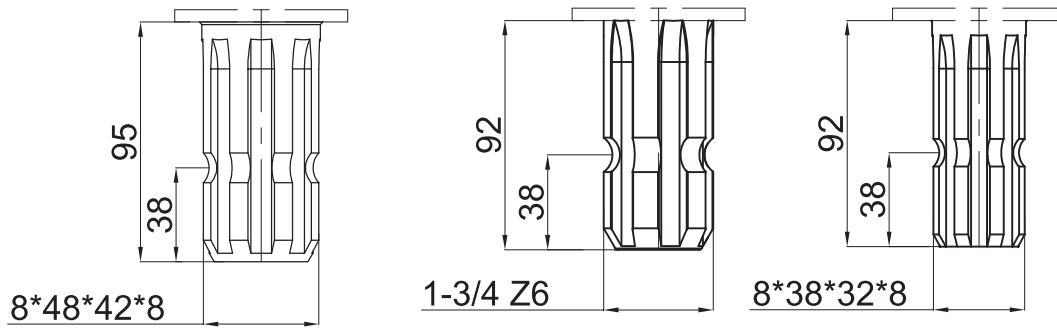


技术参数/Technical Data

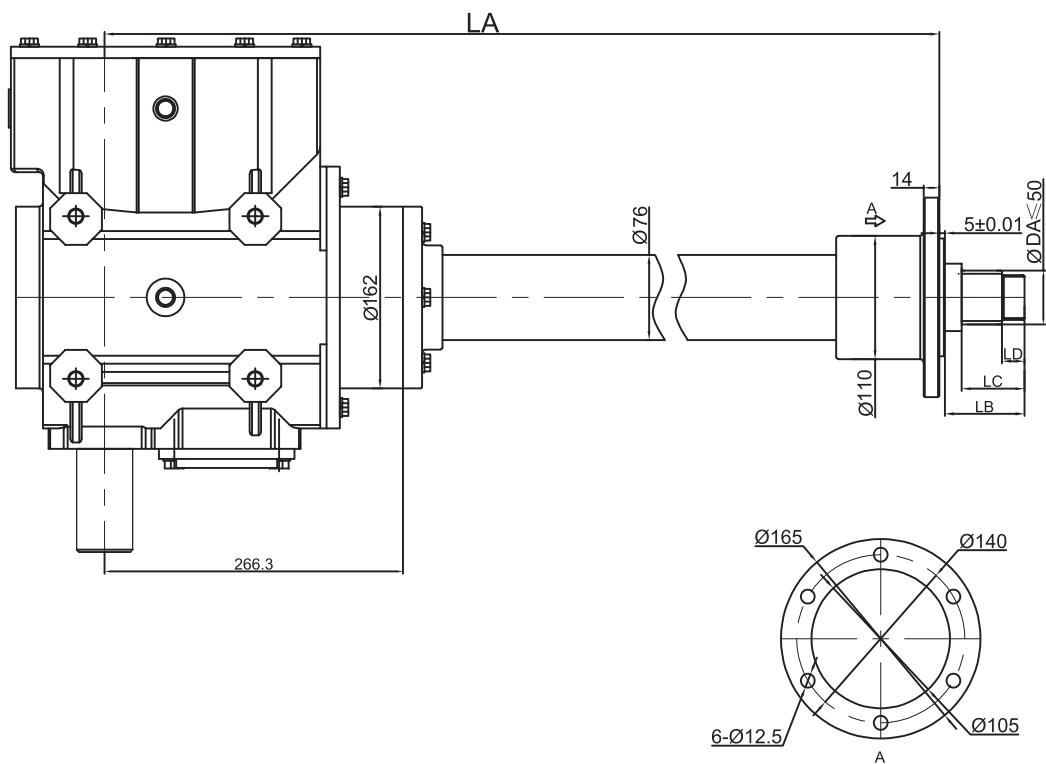
应用/USE	速比/RATIO	输入/INPUT				输出/OUTPUT	
		r.p.m	Hp	Kw	N.m	r.p.m	N.m
减速/SPEED REDUCER	1.62:1	540	109	80	1415	333	2294
		1000	177	130	1241	617	2012
	1.82:1	540	109	80	1415	297	2572
		1000	177	130	1241	549	2261
	2.03:1	540	109	80	1415	266	2872
		1000	177	130	1241	493	2518
	2.28:1	540	109	80	1415	237	3223
		1000	177	130	1241	439	2828

备注: 如需其它要求可定制/Remark: If you have any special require feel free let me know, we also accept custom.

轴/Shfts

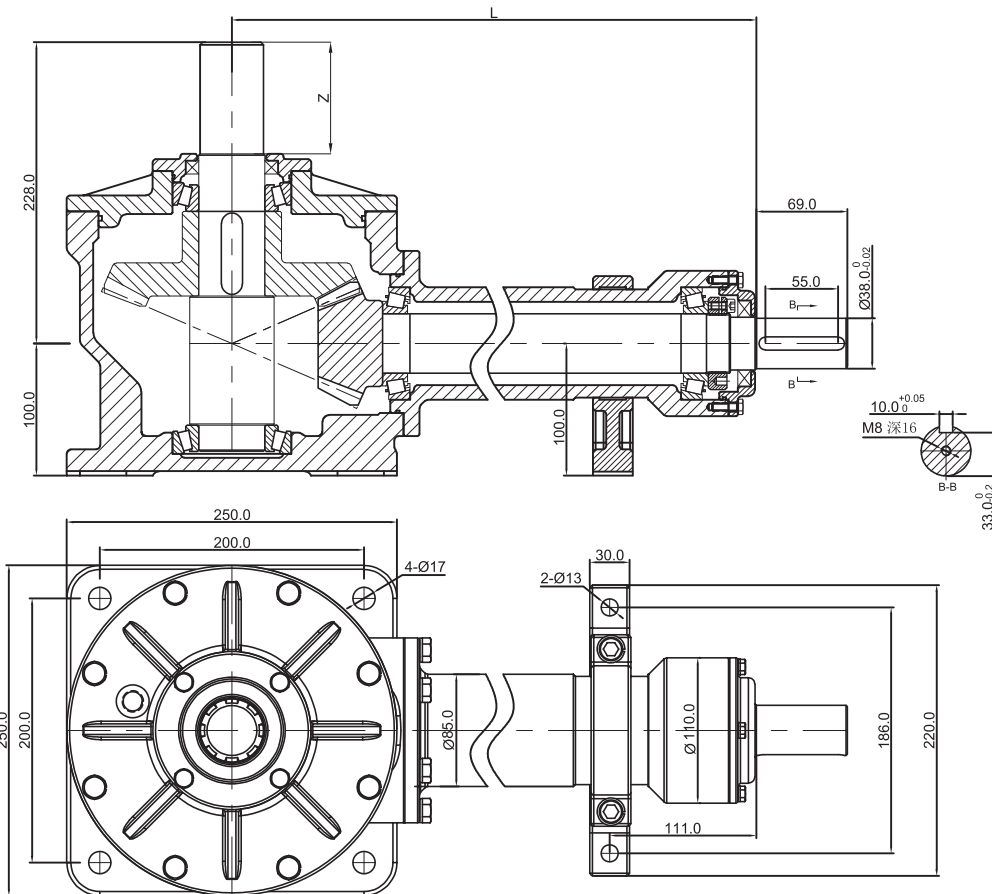


接长管/Extension pipe

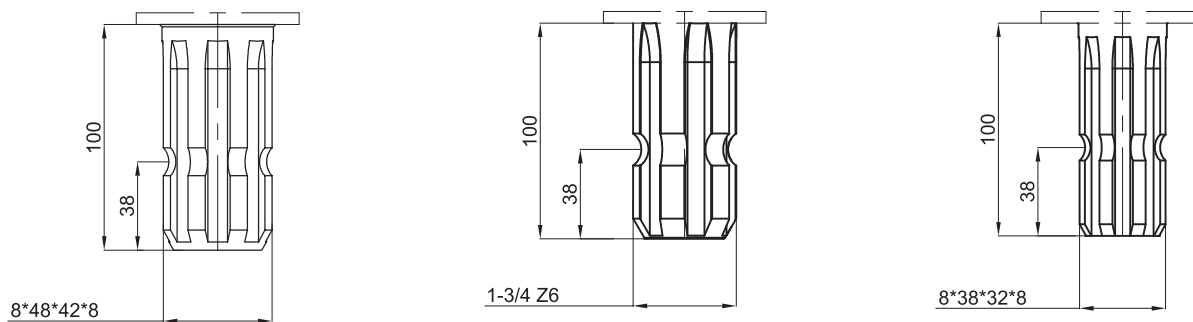


备注：如需其它要求可定制/Remark: If you have any special require feel free let me know, we also accept custom.

尺寸/Dimensions



轴/Shfts

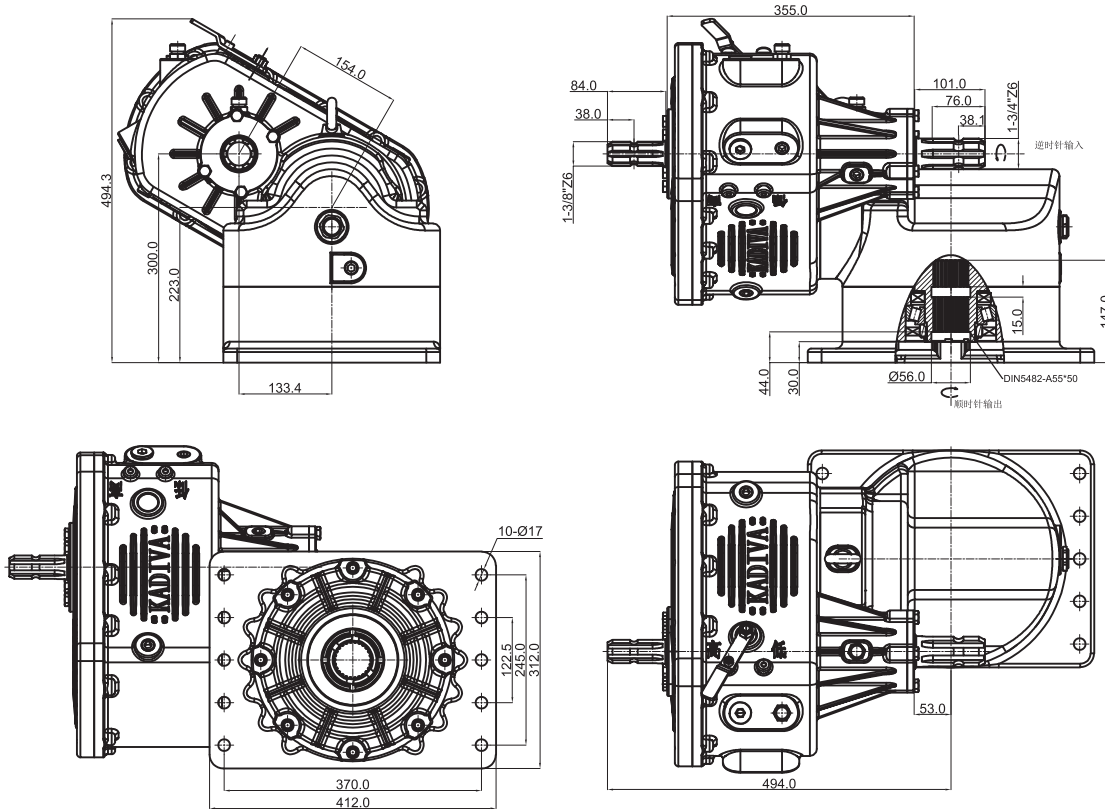


技术参数/Technical Data

应用/USE	速比/RATIO	输入/INPUT				输出/OUTPUT	
		r.p.m	Hp	Kw	N.m	r.p.m	N.m
减速/SPEED REDUCER	2.31:1	540	110	80	1415	234	3265

备注：如需其它要求可定制/Remark: If you have any special require feel free let me know, we also accept custom.

尺寸/Dimensions



方向/Turn

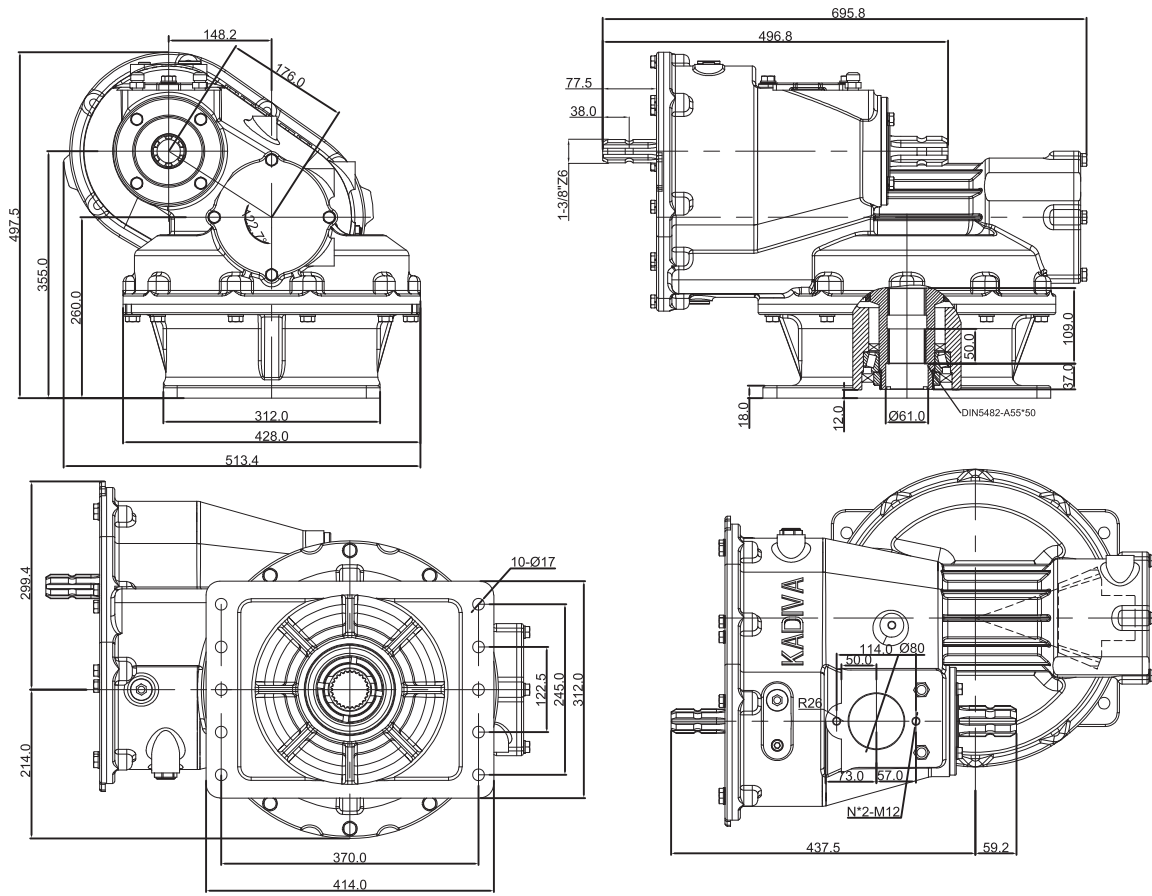


技术参数/Technical Data

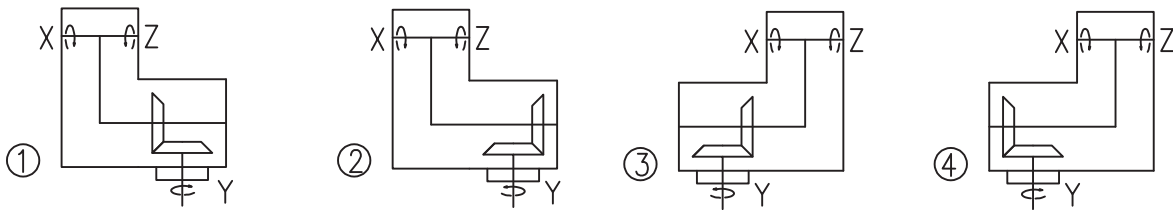
应用/USE	数比/RATIO	输入/INPUT				输出/OUTPUT	
		r.p.m	Hp	Kw	N.m	r.p.m	N.m
减数/SPEED REDUCER	2.07:1	800	215	158	1886	386	3909
	2.57:1	1000	215	158	1509	389	3879

备注：如需其它要求可定制/Remark: If you have any special require feel free let me know, we also accept custom.

尺寸/Dimensions



方向/Turn

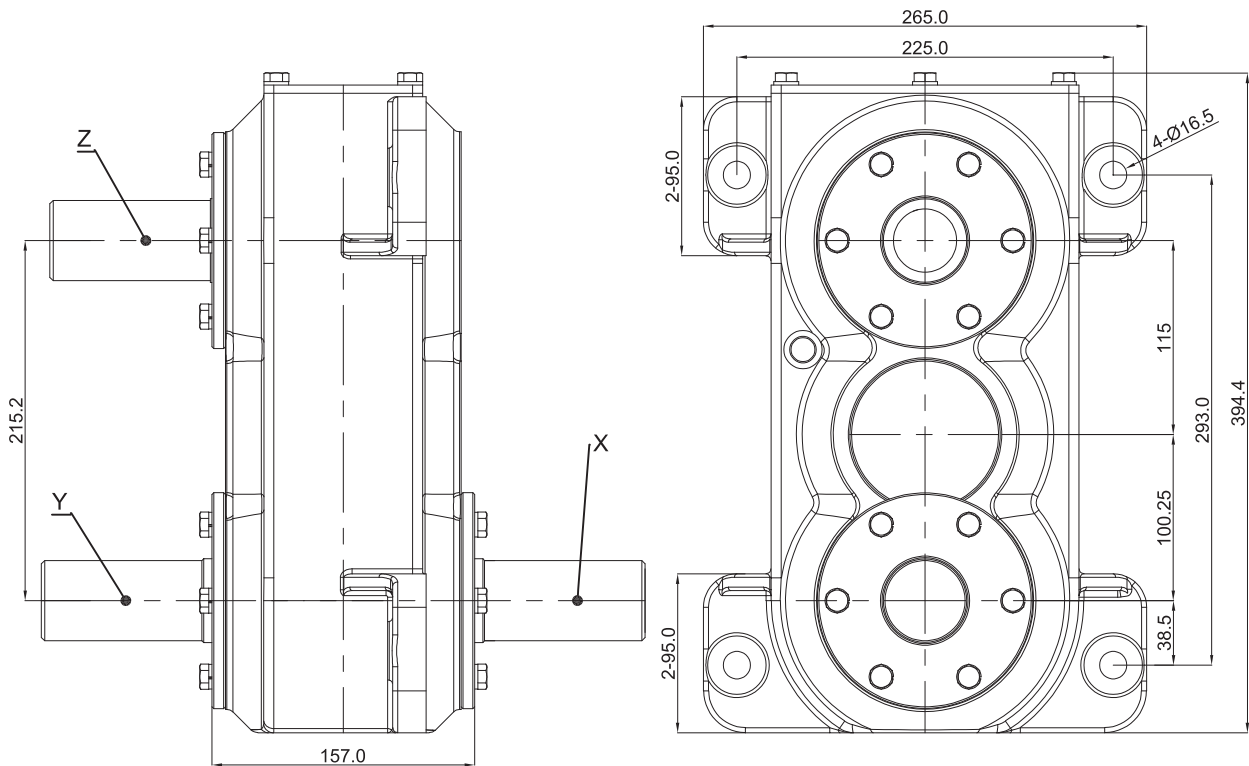


技术参数/Technical Data

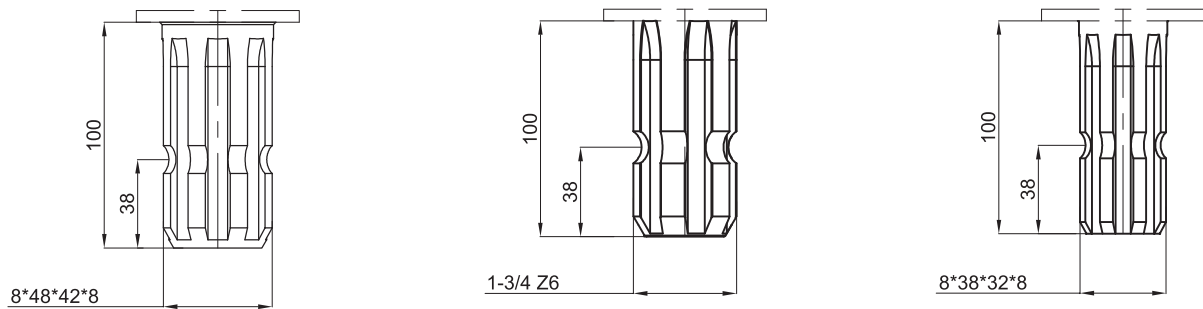
应用/USE	数比/RATIO	输入/INPUT				输出/OUTPUT	
		r.p.m	Hp	Kw	N.m	r.p.m	N.m
减数/SPEED REDUCER	2.47:1	1000	295	220	2100	405	5187
	2.63:1	1000	184	135	1404	380	3700

备注: 如需其它要求可定制/Remark: If you have any special require feel free let me know, we also accept custom.

尺寸/Dimensions



轴/Shfts

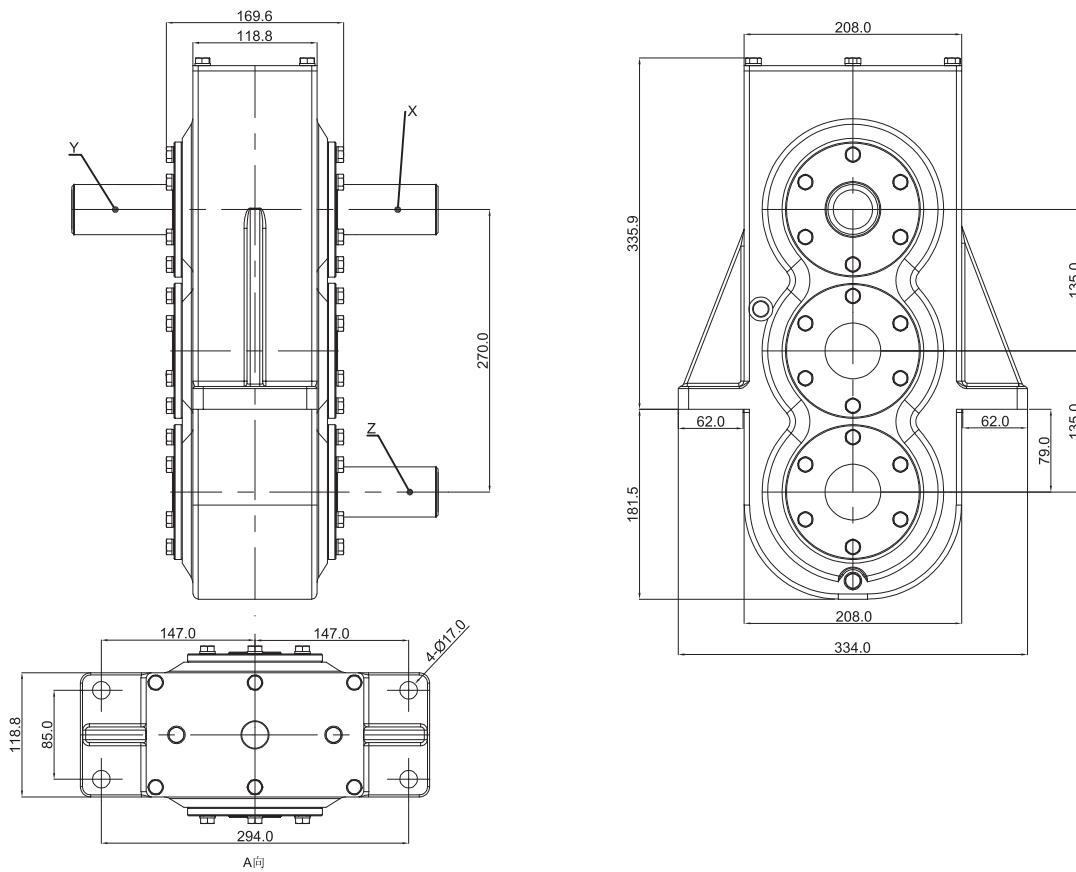


技术参数/Technical Data

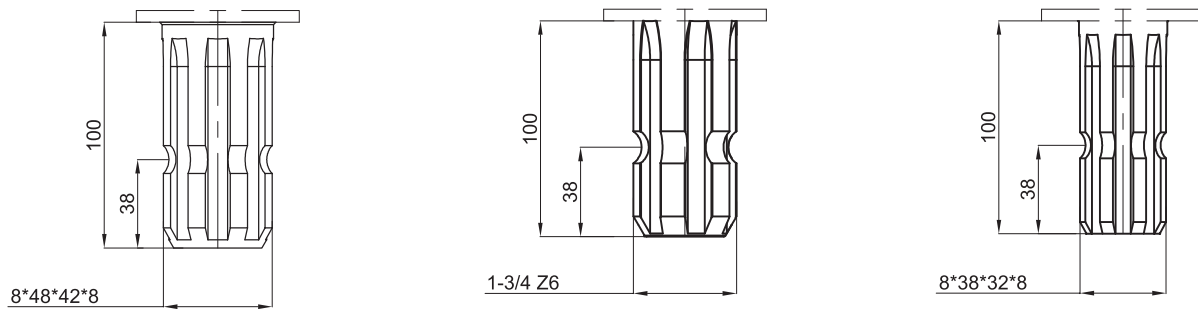
应用/USE	速比/RATIO	输入/INPUT				输出/OUTPUT	
		r.p.m	Hp	Kw	N.m	r.p.m	N.m
减速/SPEED REDUCER	1.33:1	720	110	75	786	541	1047

备注：如需其它要求可定制/Remark: If you have any special require feel free let me know, we also accept custom.

尺寸/Dimensions



轴/Shfts

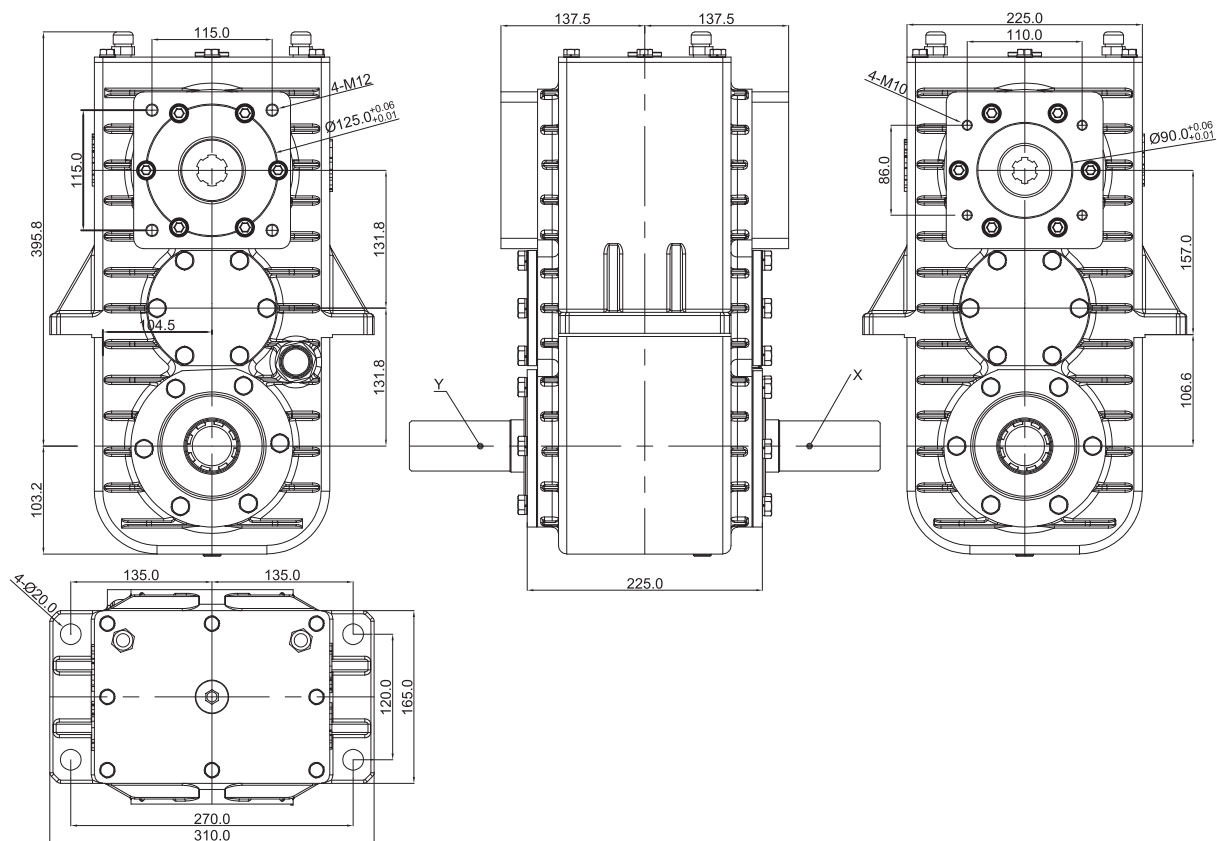


技术参数/Technical Data

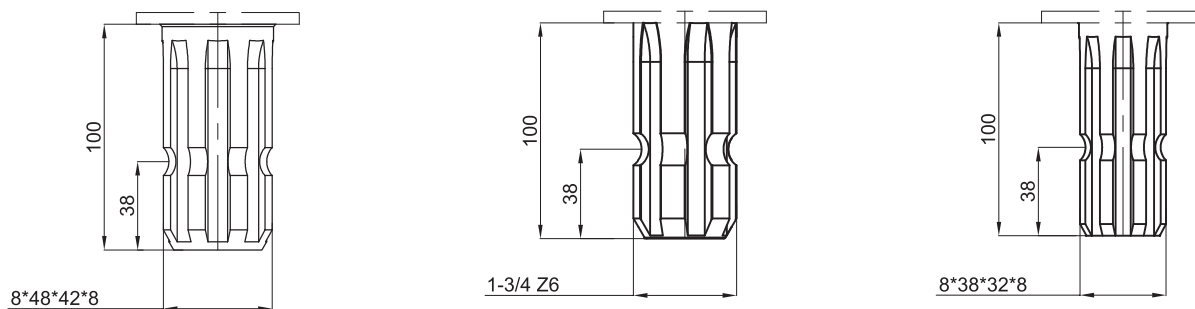
应用/USE	速比/RATIO	输入/INPUT				输出/OUTPUT	
		r.p.m	Hp	Kw	N.m	r.p.m	N.m
减速/SPEED REDUCER	1:1	540	140	103	1821	540	1821

备注: 如需其它要求可定制/Remark: If you have any special require feel free let me know, we also accept custom.

尺寸/Dimensions



轴/Shfts

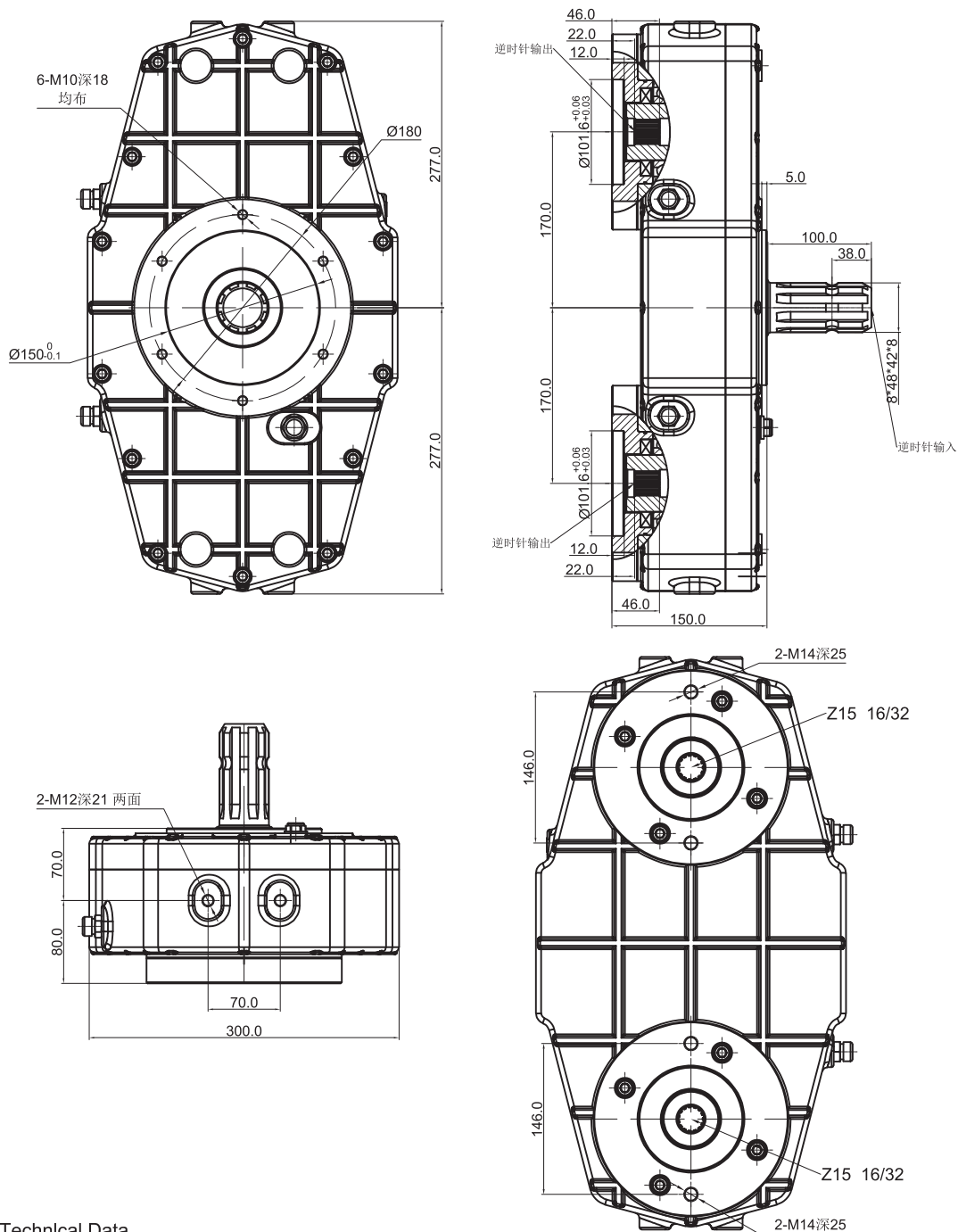


技术参数/Technical Data

应用/USE	速比/RATIO	输入/INPUT				输出/OUTPUT	
		r.p.m	Hp	Kw	N.m	r.p.m	N.m
增速/SPEED MULTIPLIER	1:2.69	760	180	132	1659	2044	617

备注: 如需其它要求可定制/Remark: If you have any special require feel free let me know, we also accept custom.

尺寸/Dimensions

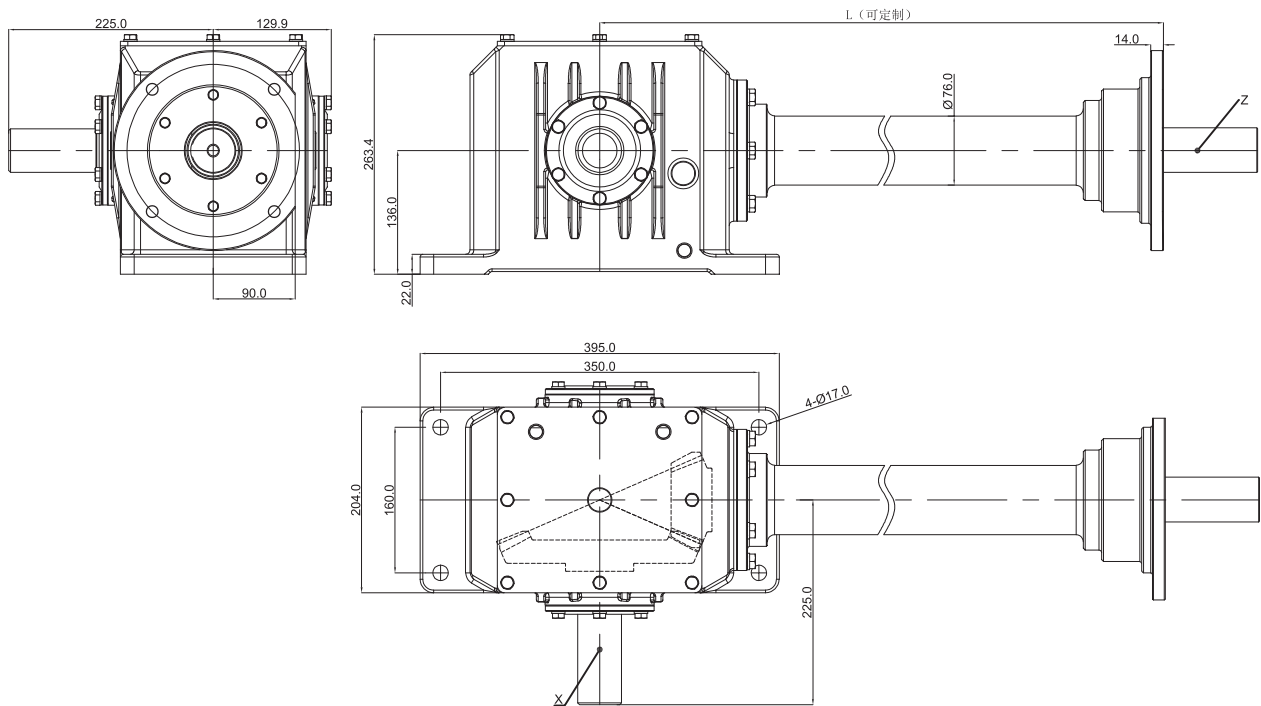


技术参数/Technical Data

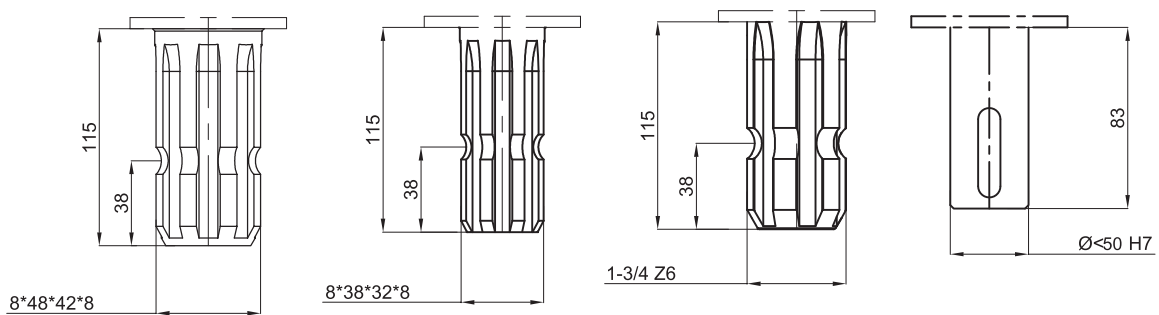
应用/USE	数比/RATIO	输入/INPUT				输出/OUTPUT	
		r.p.m	Hp	Kw	N.m	r.p.m	N.m
增速/SPEED MULTIPLIER	1:3.0	850	218	160	1797	2550	599

备注: 如需其它要求可定制/Remark: If you have any special require feel free let me know, we also accept custom.

尺寸/Dimensions



轴/Shfts

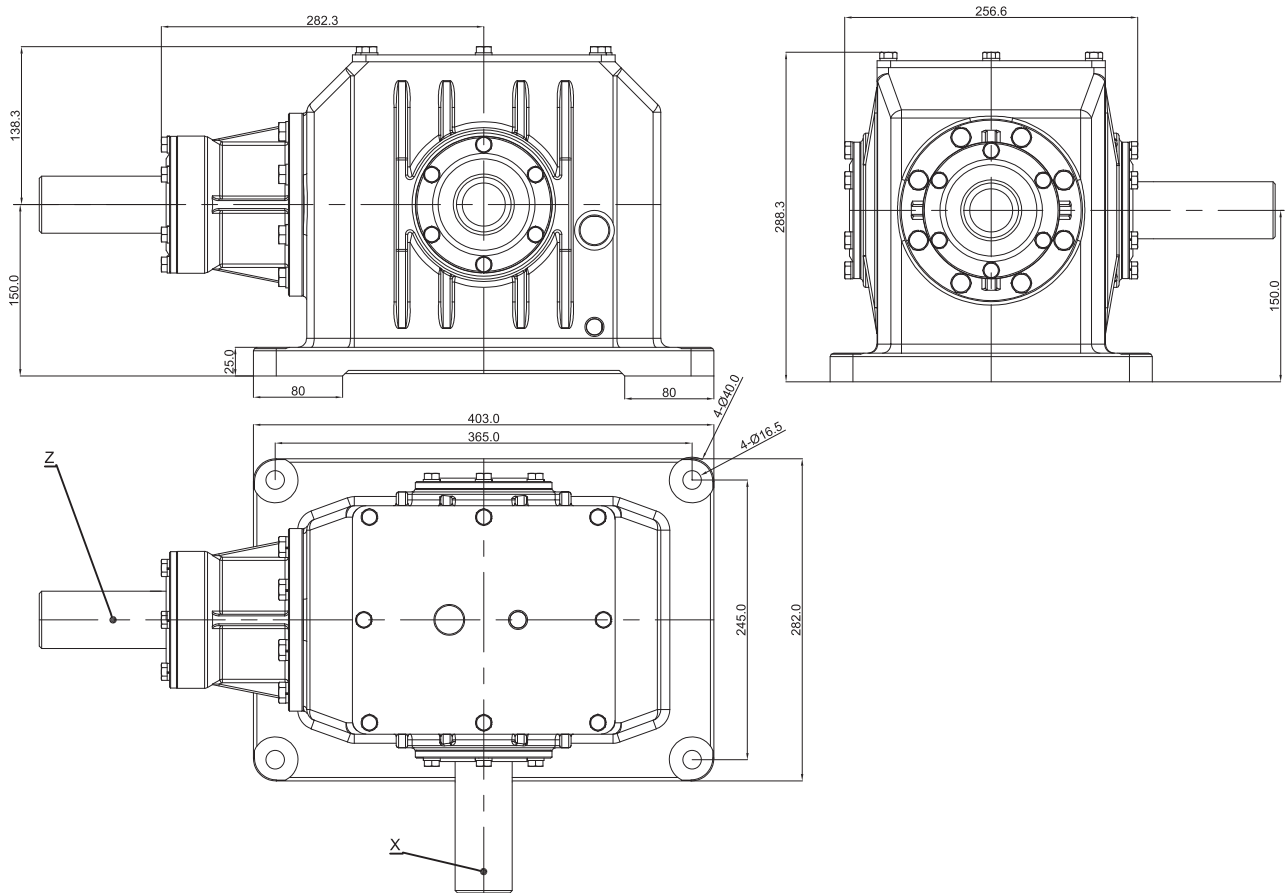


技术参数/Technical Data

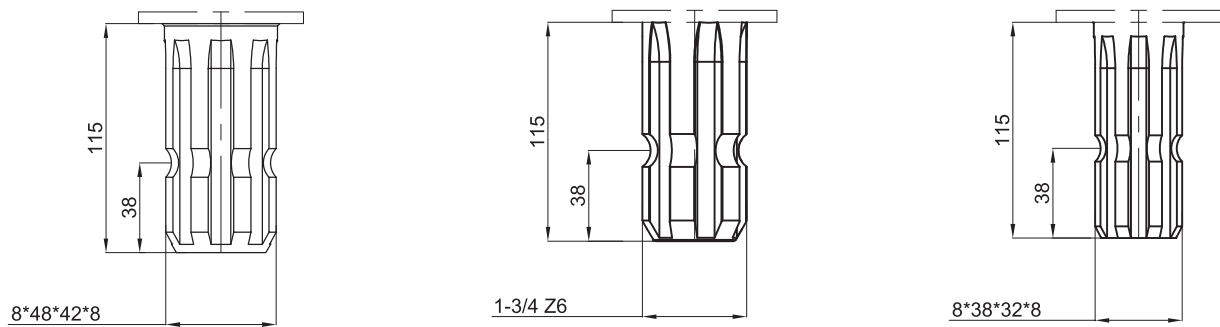
应用/USE	速比/RATIO	输入/INPUT				输出/OUTPUT	
		r.p.m	Hp	Kw	N.m	r.p.m	N.m
增速/SPEED MULTIPLIER	1:2.28	540	140	103	1821	1231	799

备注: 如需其它要求可定制/Remark: If you have any special require feel free let me know, we also accept custom.

尺寸/Dimensions



轴/Shfts

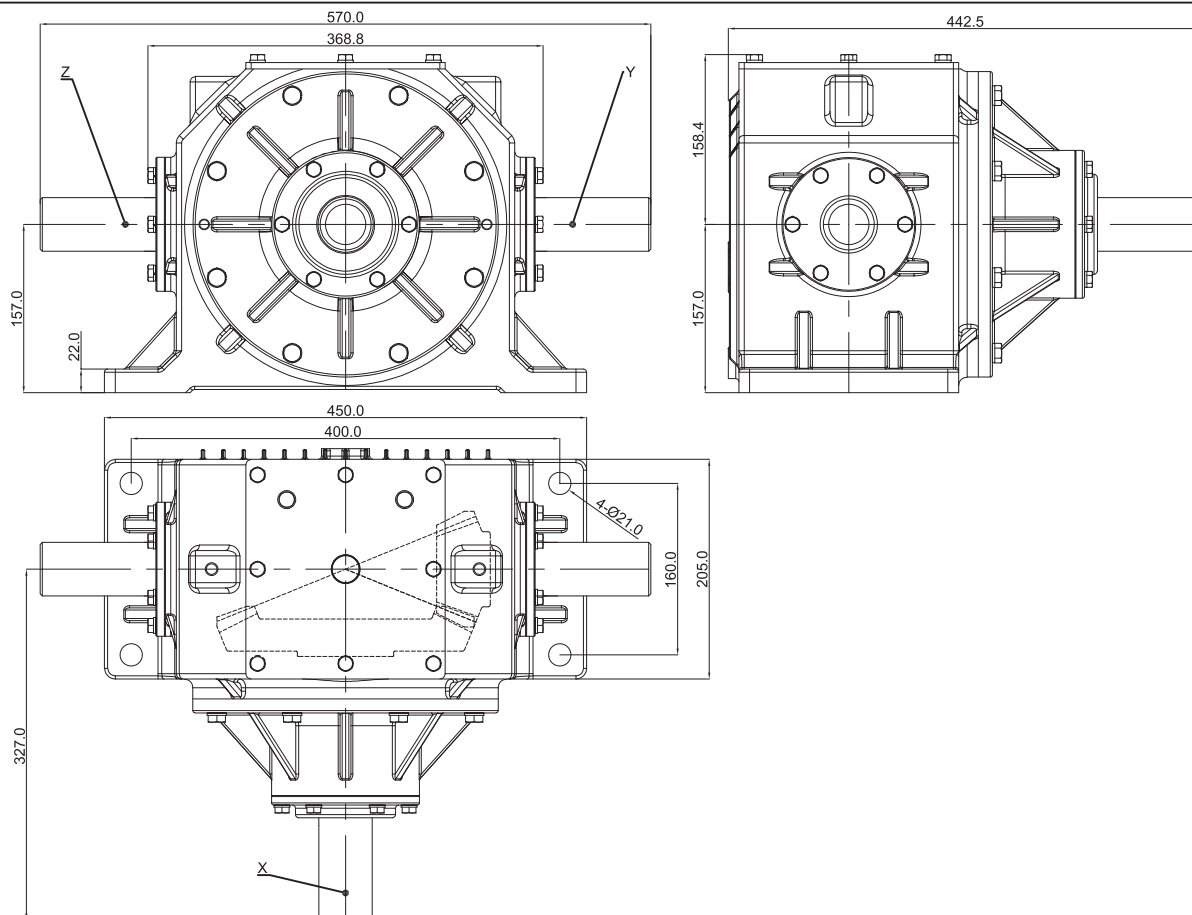


技术参数/Technical Data

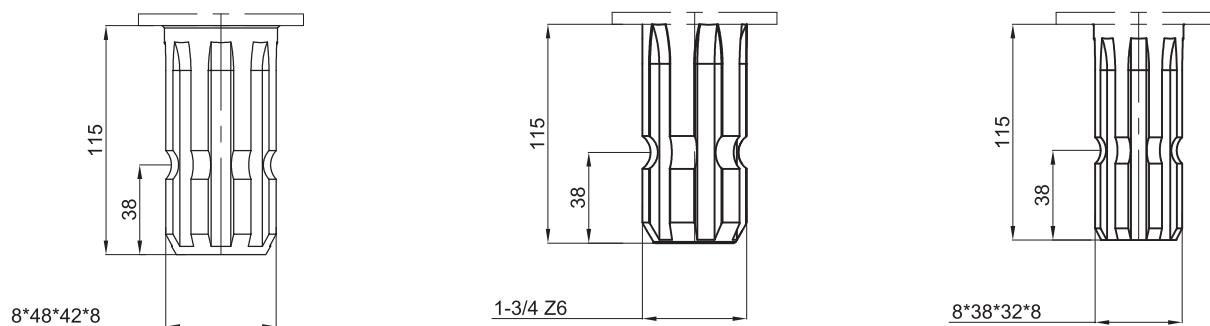
应用/USE	速比/RATIO	输入/INPUT				输出/OUTPUT	
		r.p.m	Hp	Kw	N.m	r.p.m	N.m
增速/SPEED MULTIPLIER	1:1.50	1000	136	100	955	1500	637
	1:2.07	720	122	90	1194	1490	577

备注：如需其它要求可定制/Remark: If you have any special require feel free let me know, we also accept custom.

尺寸/Dimensions



轴/Shfts

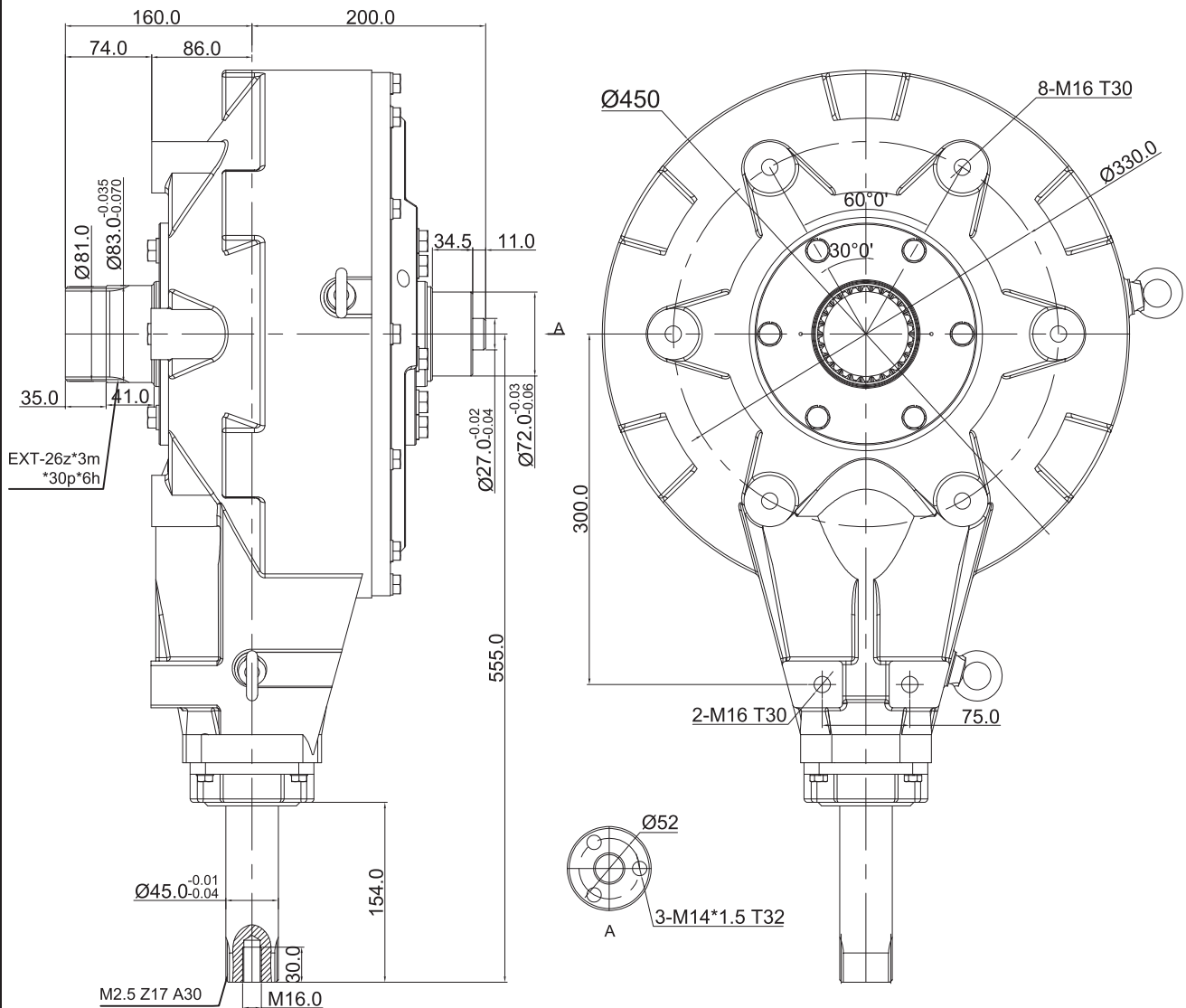


技术参数/Technical Data

应用/USE	速比/RATIO	输入/INPUT				输出/OUTPUT	
		r.p.m	Hp	Kw	N.m	r.p.m	N.m
增速/SPEED MULTIPLIER	1:2.07	720	286	210	2785	1490	1346
	1:2.46	540	272	200	3537	1328	1438

备注: 如需其它要求可定制/Remark: If you have any special require feel free let me know, we also accept custom.

尺寸/Dimensions

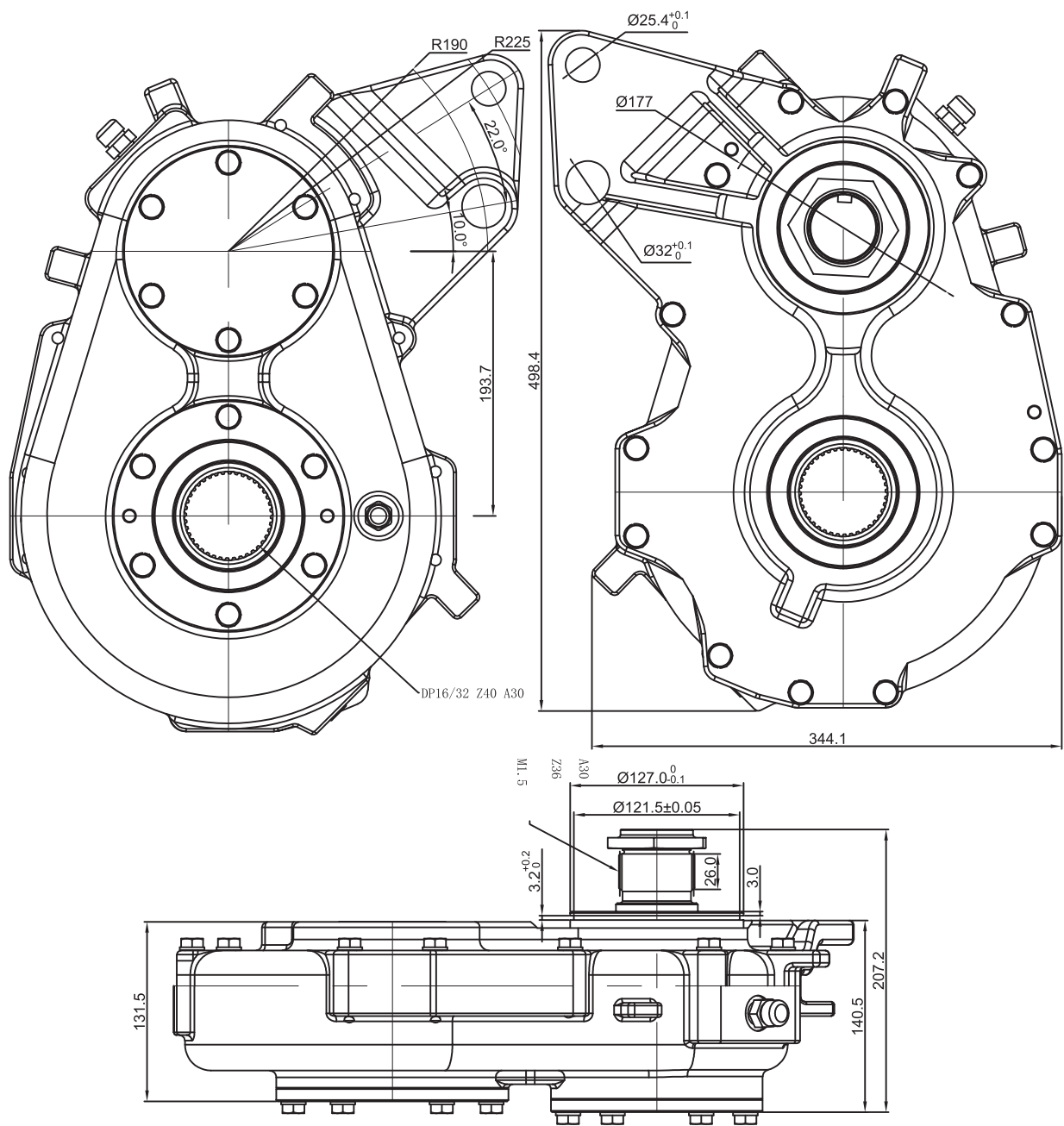


技术参数/Technical Data

应用/USE	速比/RATIO	输入/INPUT				输出/OUTPUT	
		r.p.m	Hp	Kw	N.m	r.p.m	N.m
减速/SPEED REDUCER	5.43:1	540	102	75	1326	99	7200
		1000	166	122	1165	184	6324

备注: 如需其它要求可定制/Remark: If you have any special require feel free let me know, we also accept custom.

尺寸/Dimensions

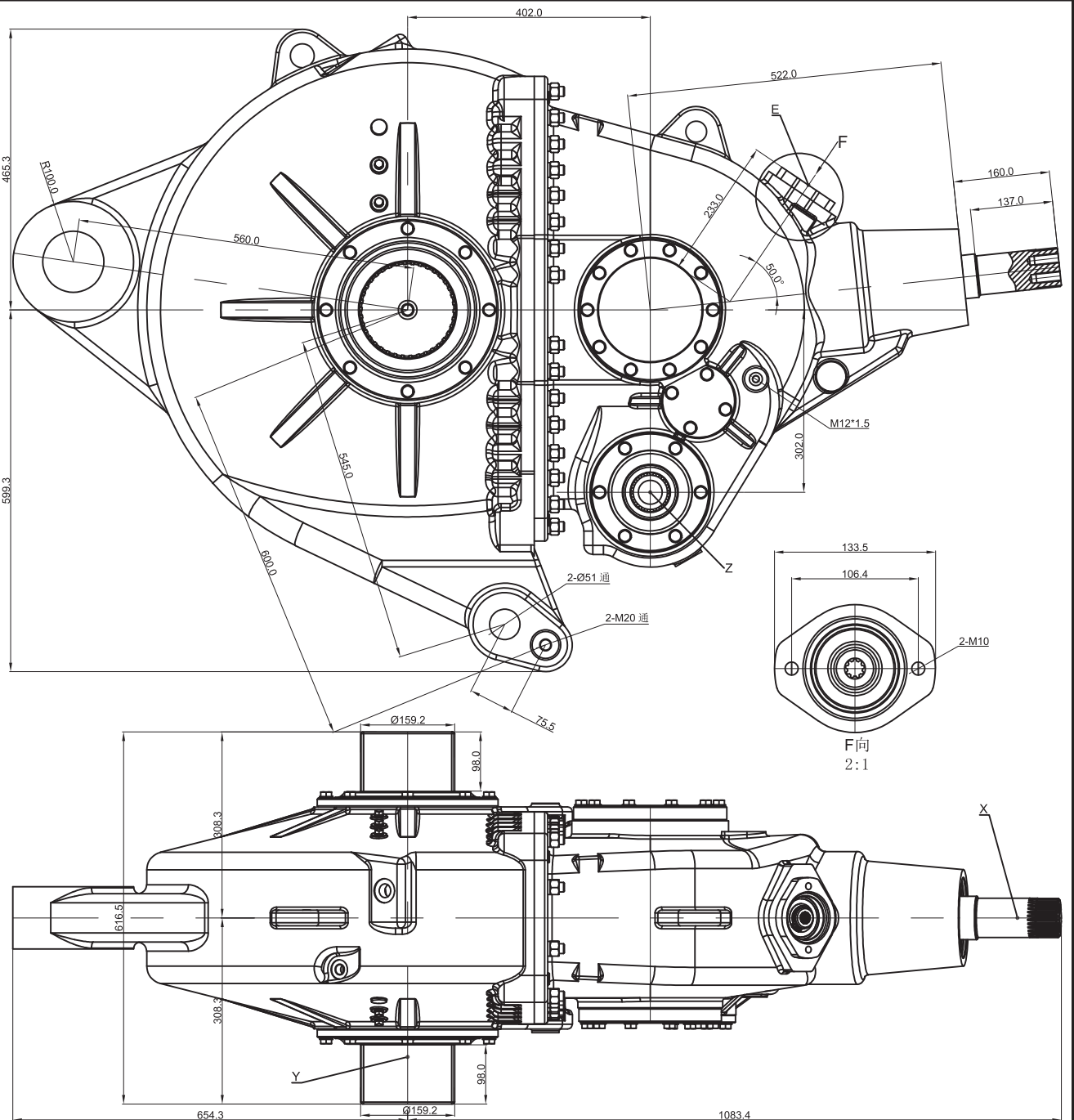


技术参数/Technical Data

应用/USE	速比/RATIO	输入/INPUT				输出/OUTPUT	
		r.p.m	Hp	Kw	N.m	r.p.m	N.m
减速/SPEED REDUCER	2.10:1	1000	60	45	430	476	903

备注: 如需其它要求可定制/Remark: If you have any special require feel free let me know, we also accept custom.

尺寸/Dimensions

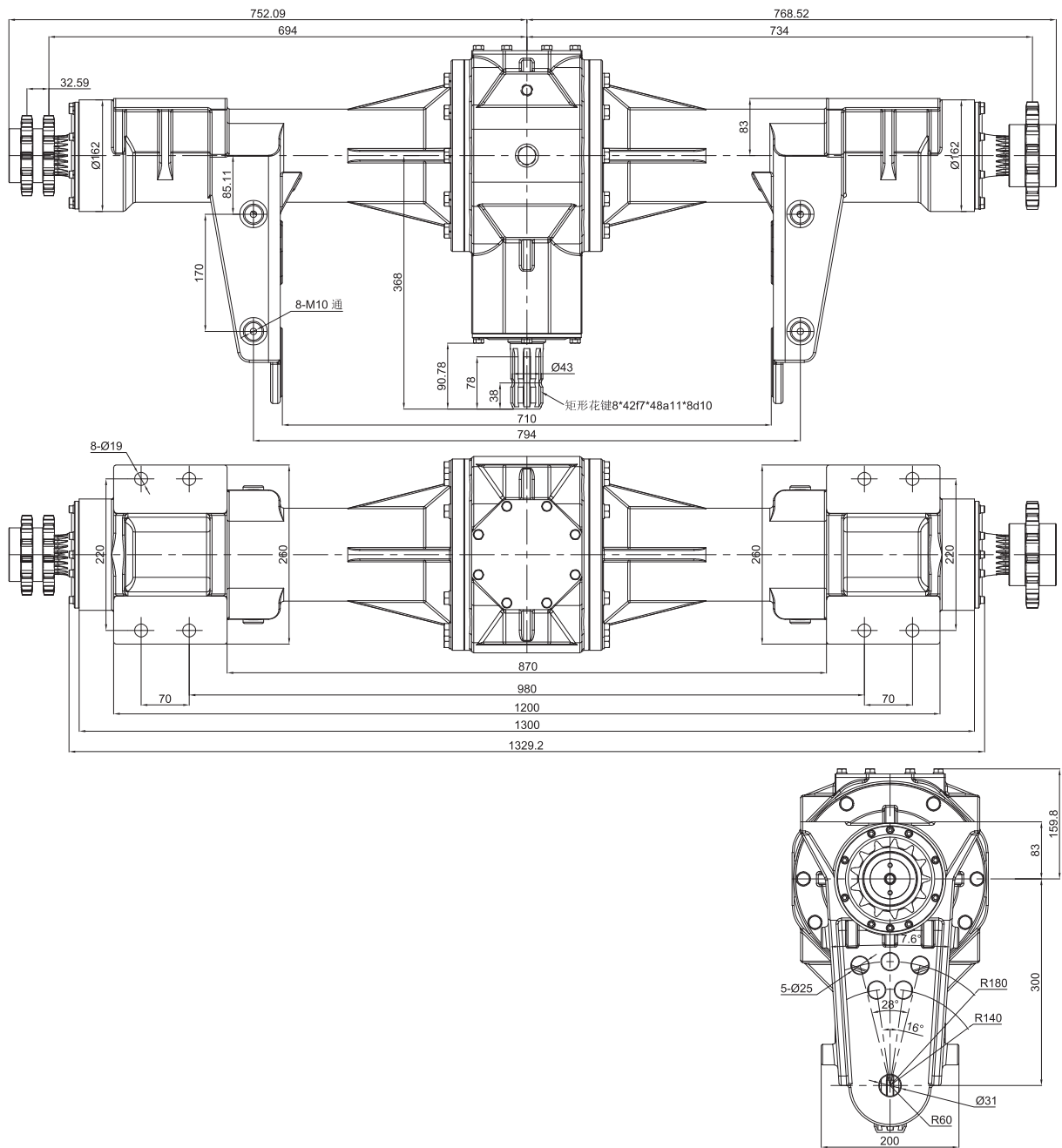


技术参数/Technical Data

速比/RATIO			输入/INPUT				输出/OUTPUT	
X-Y	X-Z	X-E	r.p.m	Hp	Kw	N.m	r.p.m(Y)	N.m
21.27:1	4.88:1	1:2.24	1000	261	192	430	47	39009

备注: 如需其它要求可定制/Remark: If you have any special require feel free let me know, we also accept custom.

尺寸/Dimensions

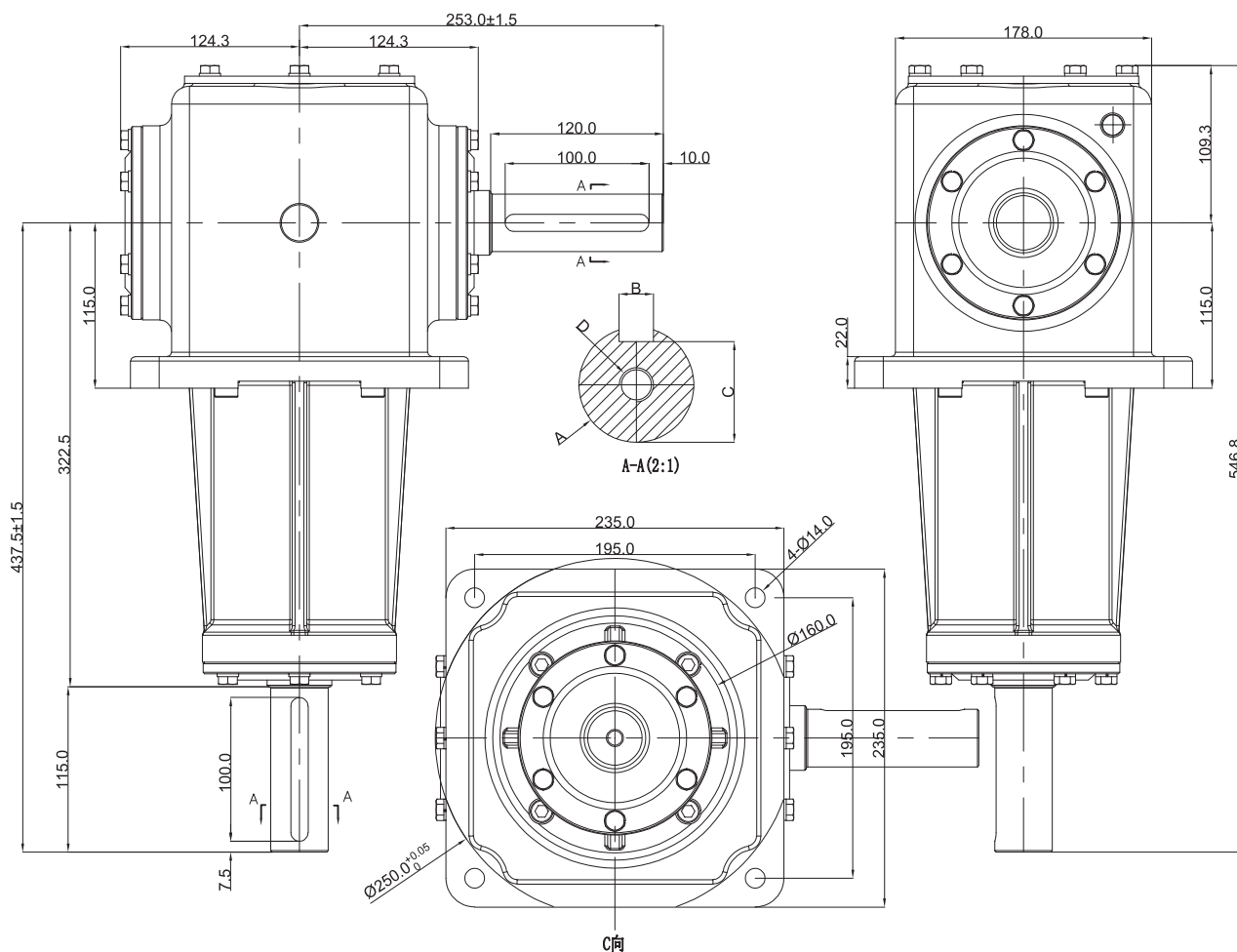


技术参数/Technical Data

应用/USE	速比/RATIO	输入/INPUT				输出/OUTPUT	
		r.p.m	Hp	Kw	N.m	r.p.m	N.m
减速/SPEED REDUCER	1.92:1	540	110	80	1415	280	2728

备注: 如需其它要求可定制/Remark: If you have any special require feel free let me know, we also accept custom.

尺寸/Dimensions



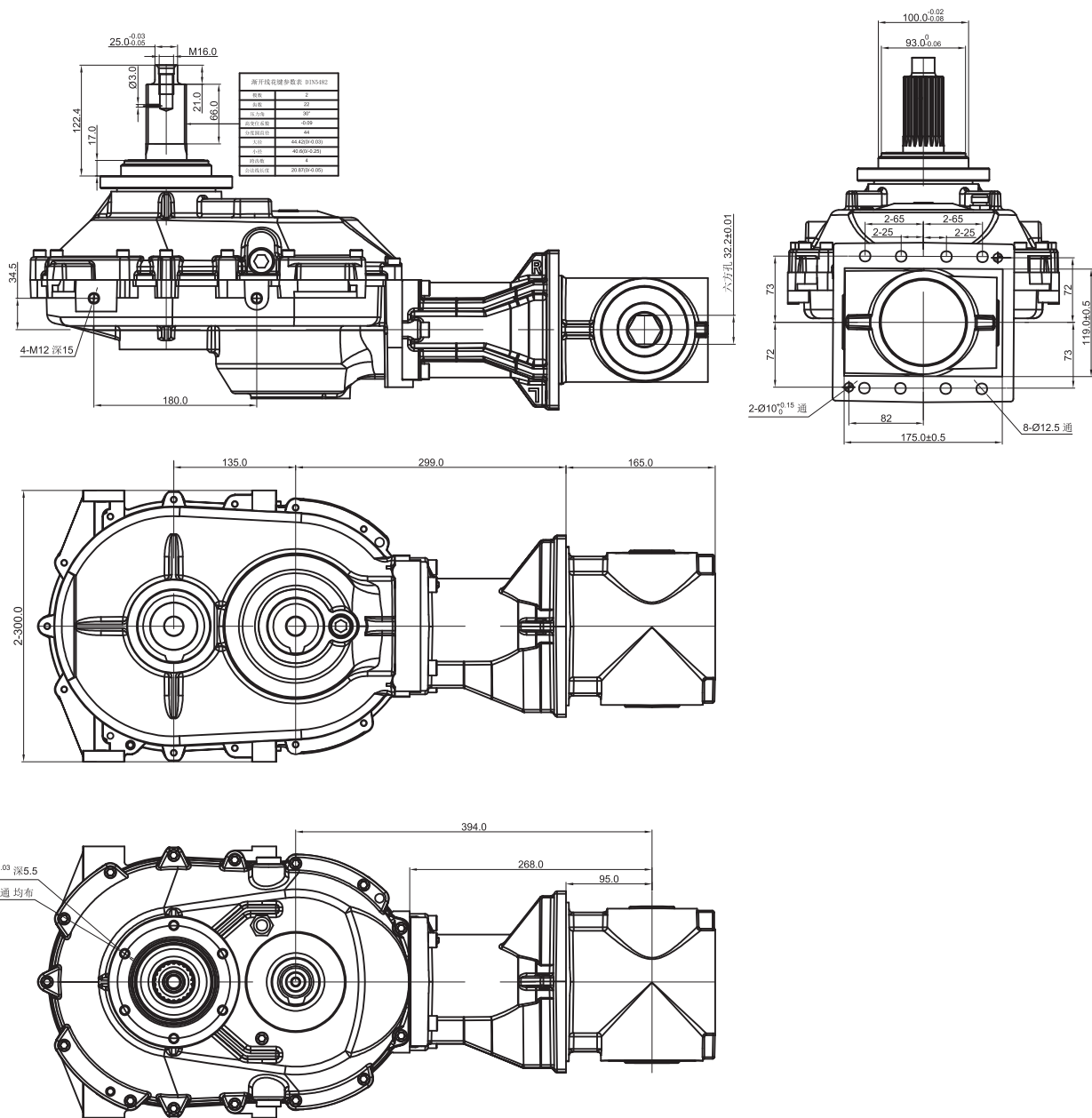
技术参数/Technical Data

应用/USE	速比/RATIO	输入/INPUT				输出/OUTPUT	
		r.p.m	Hp	Kw	N.m	r.p.m	N.m
减速/SPEED REDUCER	1:1	1000	129	95	907	1000	907

备注: 如需其它要求可定制/Remark: If you have any special require feel free let me know, we also accept custom.

A	B	C	D
Ø45	14	39.5	M14
Ø40	12	35	M12
Ø35	10	30	M12

尺寸/Dimensions

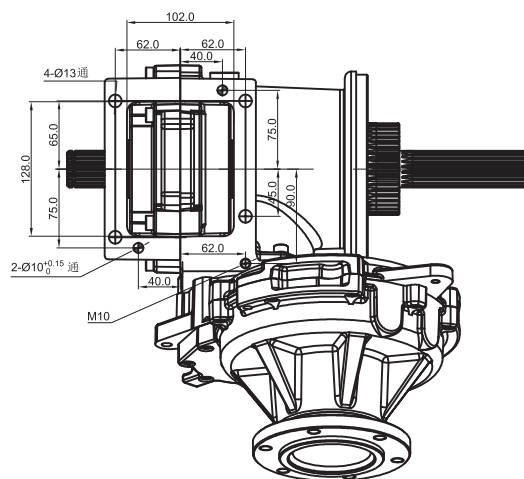
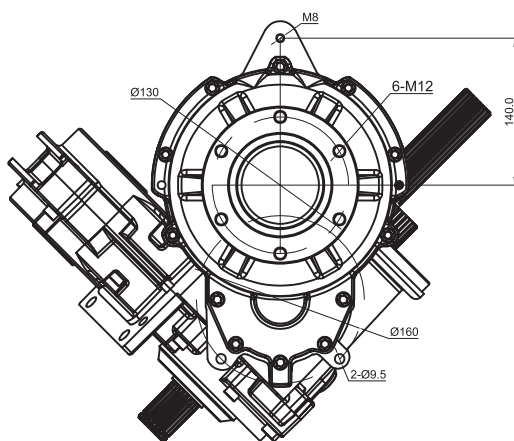
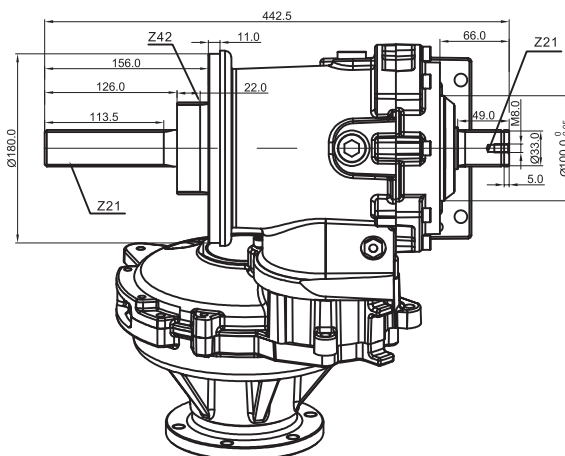
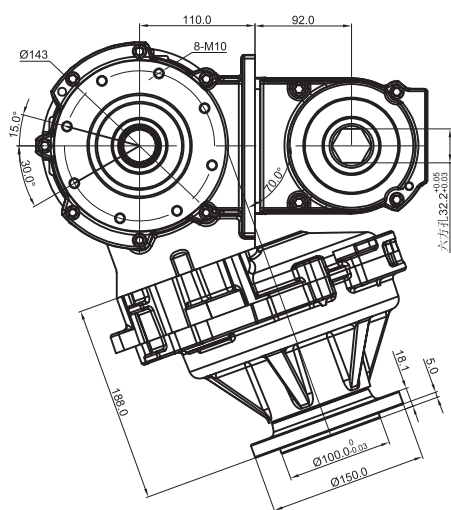


技术参数/Technical Data

名称/Name	适用机型/Suitable	旋向/Turn		割台系列/Header series	齿形/Toothing
切割箱/Cutting box	青贮机/Silage machines	左旋/L	右旋/R	3系/series	斜齿/Gleason helical teeth

备注：如需详细尺寸图来电咨询。

尺寸/Dimensions

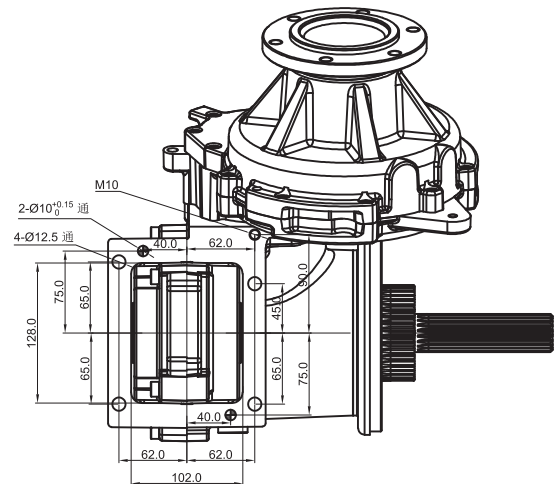
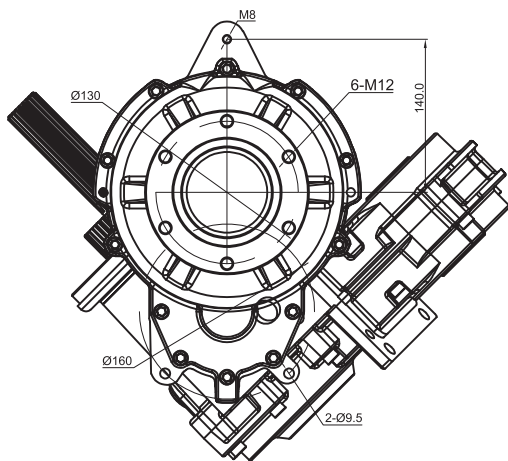
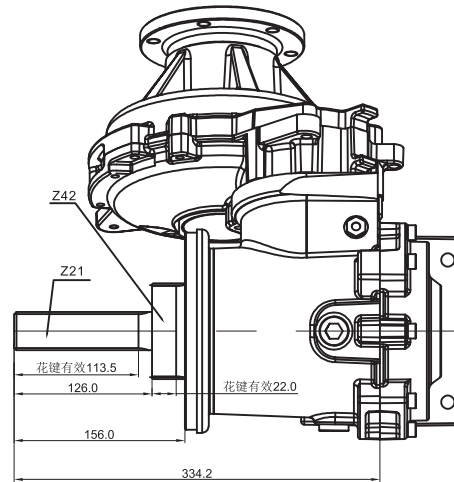
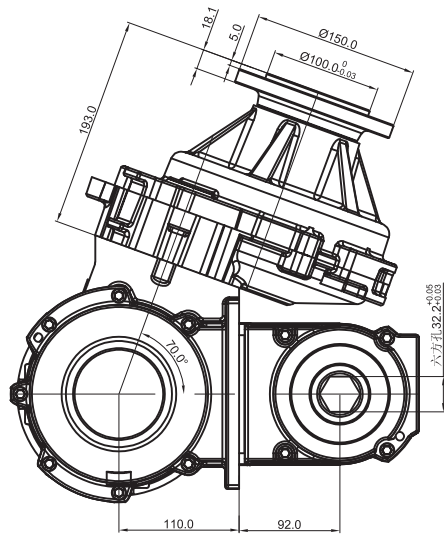


技术参数/Technical Data

名称/Name	适用机型/Suitable	旋向/Turn	割台系列/Header series	齿形/Toothing
喂入箱/Feeding box	青贮机/Silage machines	左旋/L	3系/series	斜齿/Gleason helical teeth

备注：如需详细尺寸图来电咨询。

尺寸/Dimensions

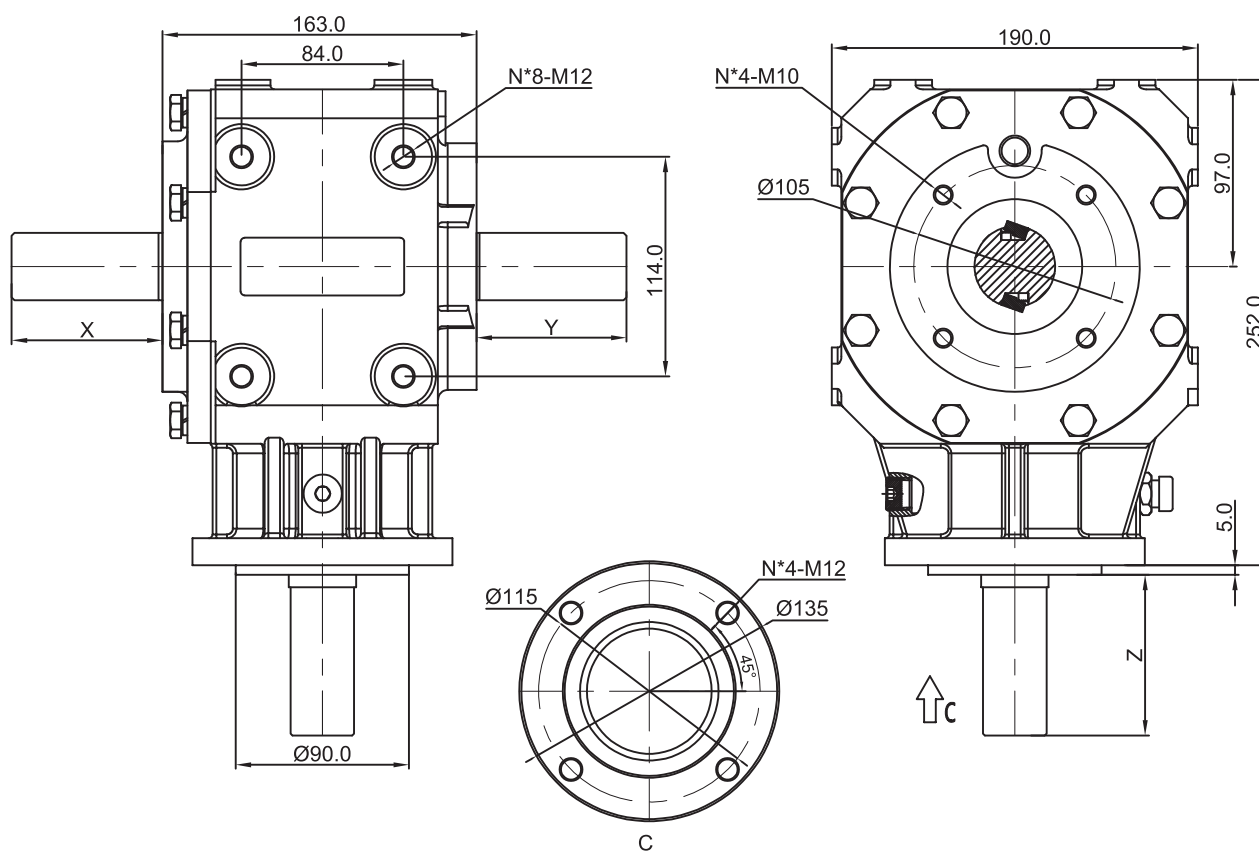


技术参数/Technical Data

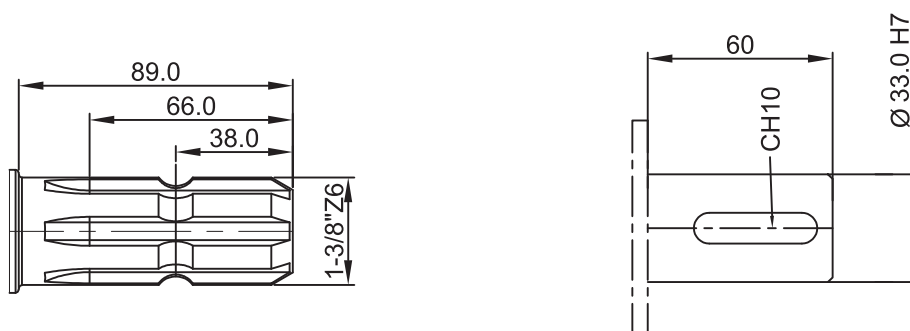
名称/Name	适用机型/Suitable	旋向/Turn	割台系列/Header series	齿形/Toothing
喂入箱/Feeding box	青贮机/Silage machines	右旋/R	3系/series	斜齿/Gleason helical teeth

备注：如需详细尺寸图来电咨询。

尺寸/Dimensions



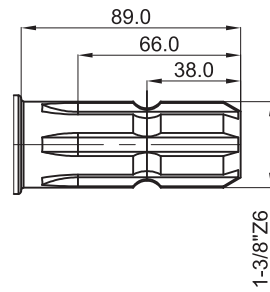
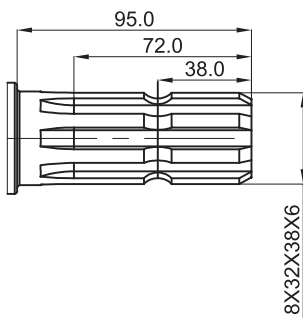
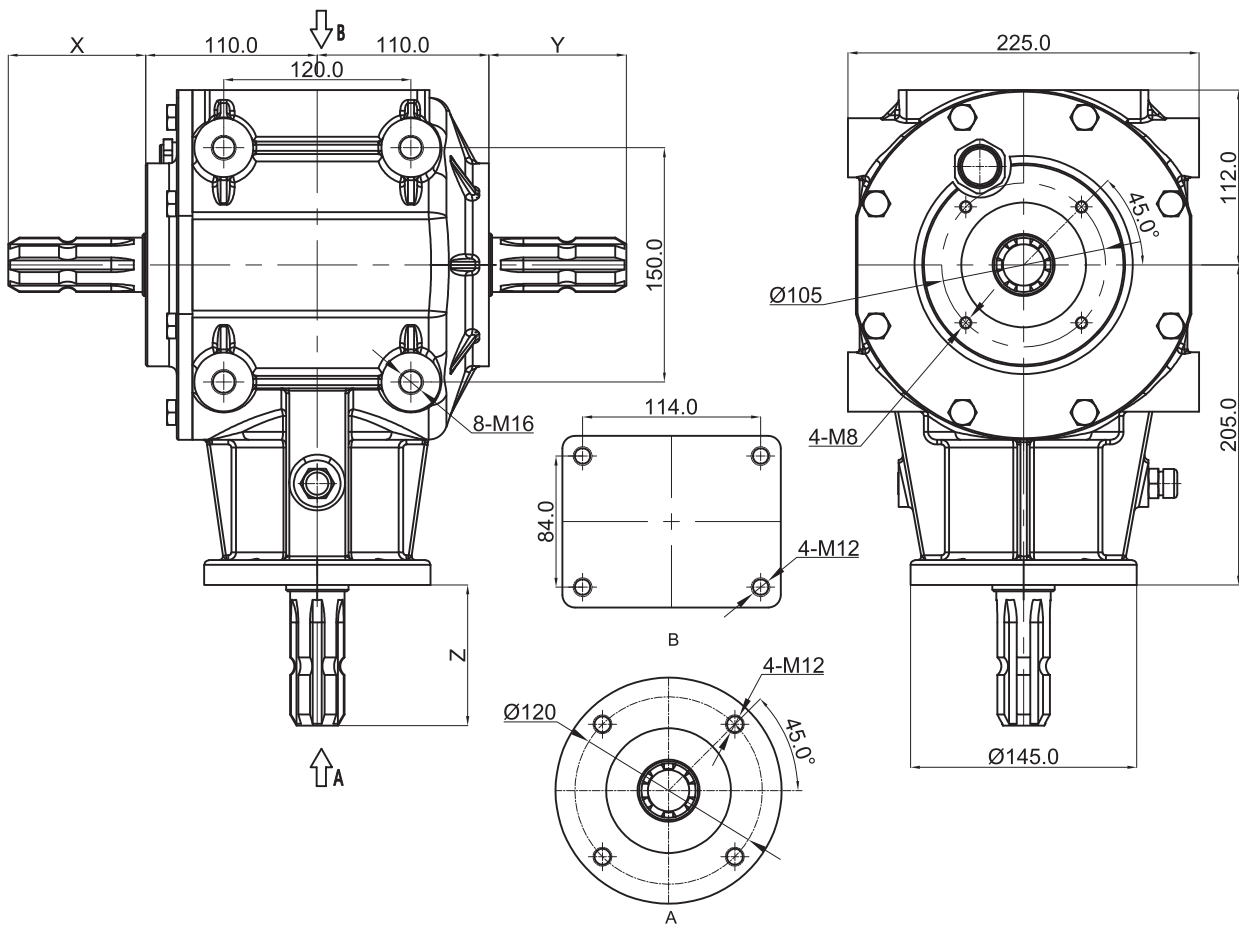
轴/Shfts



应用/USE	数比/RATIO	输入/INPUT				输出/OUTPUT	
		r.p.m	Hp	Kw	N.m	r.p.m	N.m
增速/SPEED MULTIPLIER	1:3.0	540	52	38	672	1620	224
		1000	80	59	563	3000	188
	1:2.0	540	61	45	796	1080	398
		1000	92	68	649	2000	325

备注: 如需其它要求可定制/Remark: If you have any special require feel free let me know, we also accept custom.

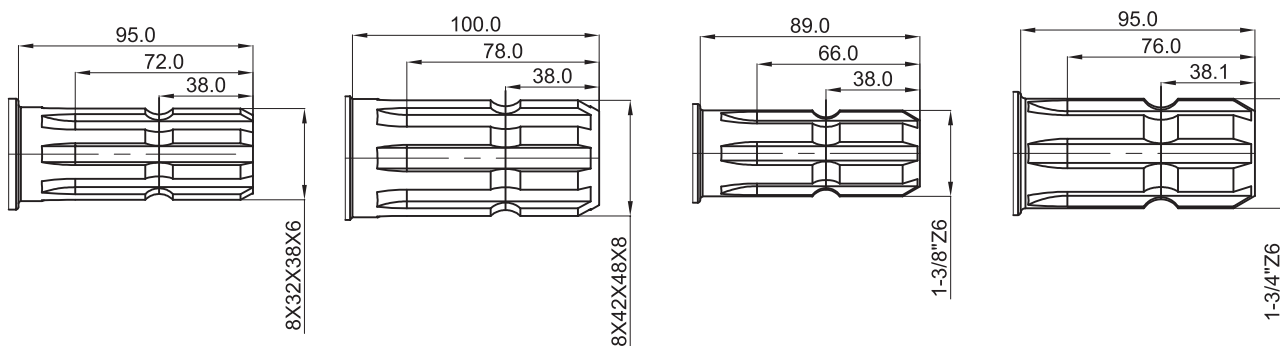
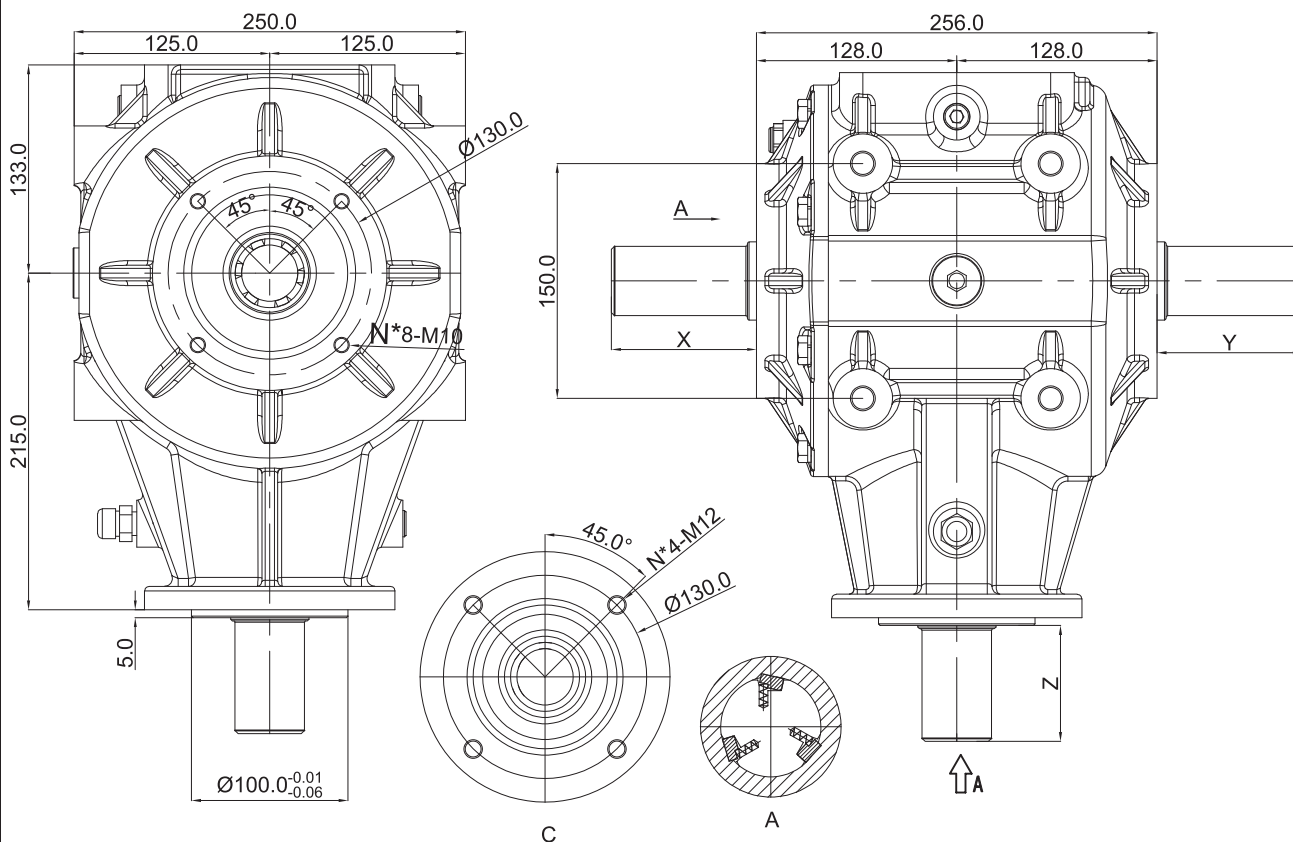
尺寸/Dimensions



应用/USE	数比/RATIO	输入/INPUT				输出/OUTPUT	
		r.p.m	Kw	Hp	N.m	N.m	r.p.m
增速/SPEED MULTIPLIER	1:3.00	540	58.8	80	1040	347	1620
	1:2.42	540	58.8	80	1040	430	1307
	1:1.86	540	62.5	85	1105	594	1004
	1:1.63	540	65.0	88	1149	705	880
	1:1.47	540	69.8	95	1234	839	794
	1:1	540	66.2	90	1171	1171	540

备注: 如需其它要求可定制/Remark: If you have any special require feel free let me know, we also accept custom.

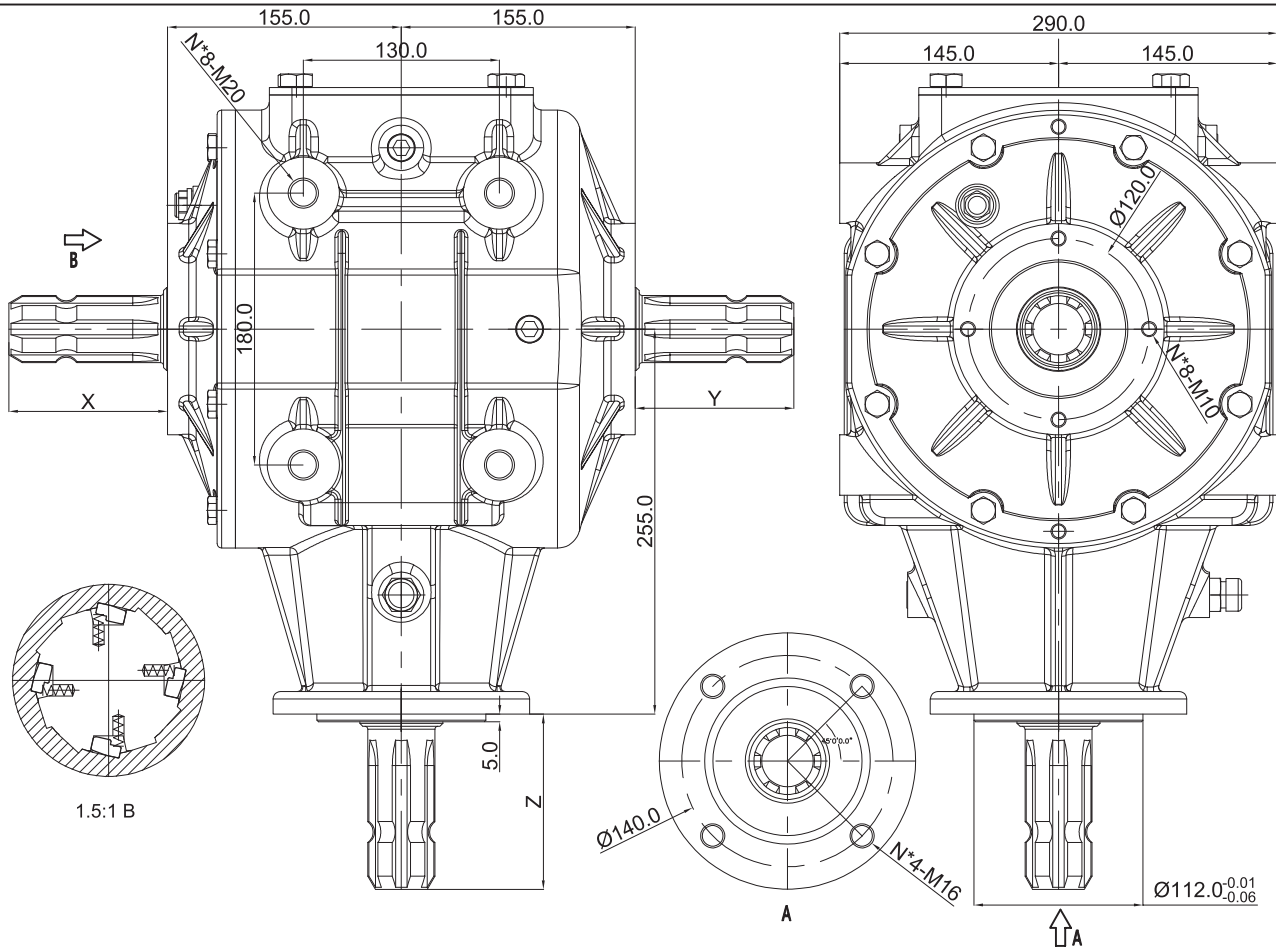
尺寸/Dimensions



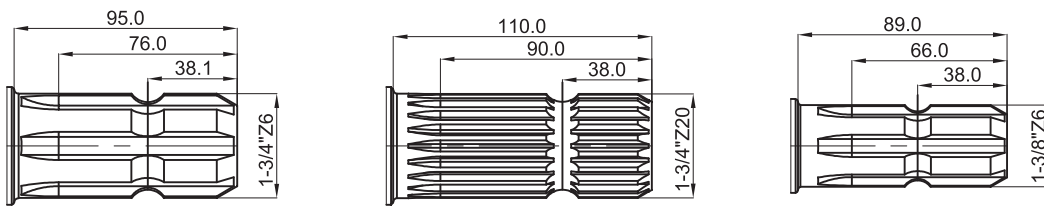
应用/USE	数比/RATIO	输入/INPUT				输出/OUTPUT	
		r.p.m	Kw	Hp	N.m	N.m	r.p.m
增速/SPEED MULTIPLIER	1:3.00	540	75	102	1326	442	1620
		1000	125	170	1194	398	3000
	1:2.50	540	80	109	1415	567	1350
		1000	138	188	1318	527	2500
	1:1.92	540	105	142	1853	967	1037
		1000	185	250	1763	920	1920

备注: 如需其它要求可定制/Remark: If you have any special require feel free let me know, we also accept custom.

尺寸/Dimensions



轴/Shafts

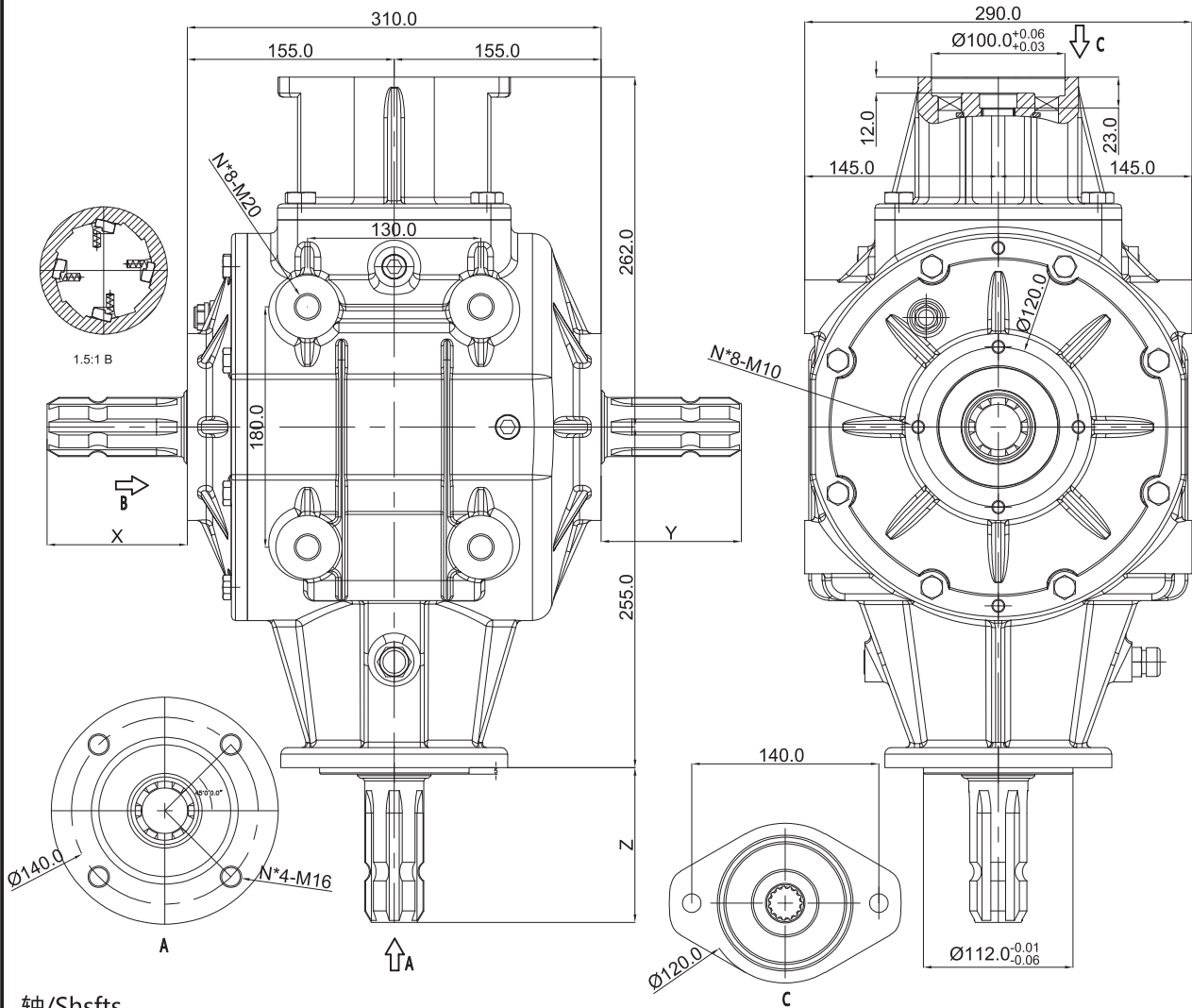


技术参数/Technical Data

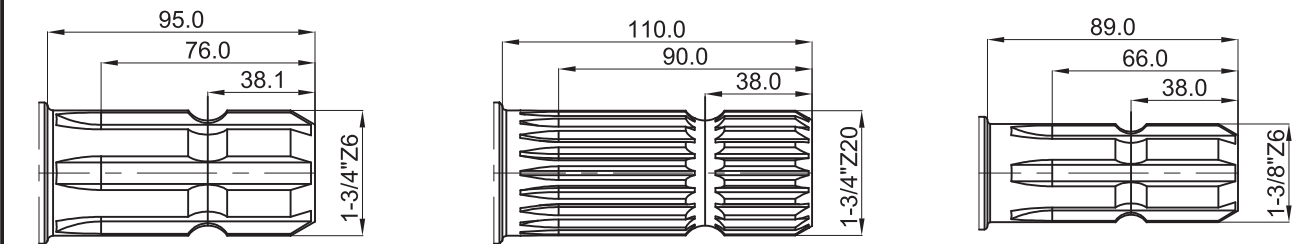
应用/USE	数比/RATIO	输入/INPUT				输出/OUTPUT	
		r.p.m	Kw	Hp	N.m	N.m	r.p.m
增速/SPEED MULTIPLIER	1:3.00	540	120	163	2122	707	1620
		1000	200	272	1910	637	3000
	1:2.40	540	140	190	2476	1032	1080
		1000	230	313	2196	915	2400
	1:1.80	540	160	218	2829	1572	972
		1000	270	367	2578	1432	1800

备注: 如需其它要求可定制/Remark: If you have any special require feel free let me know, we also accept custom.

尺寸/Dimensions



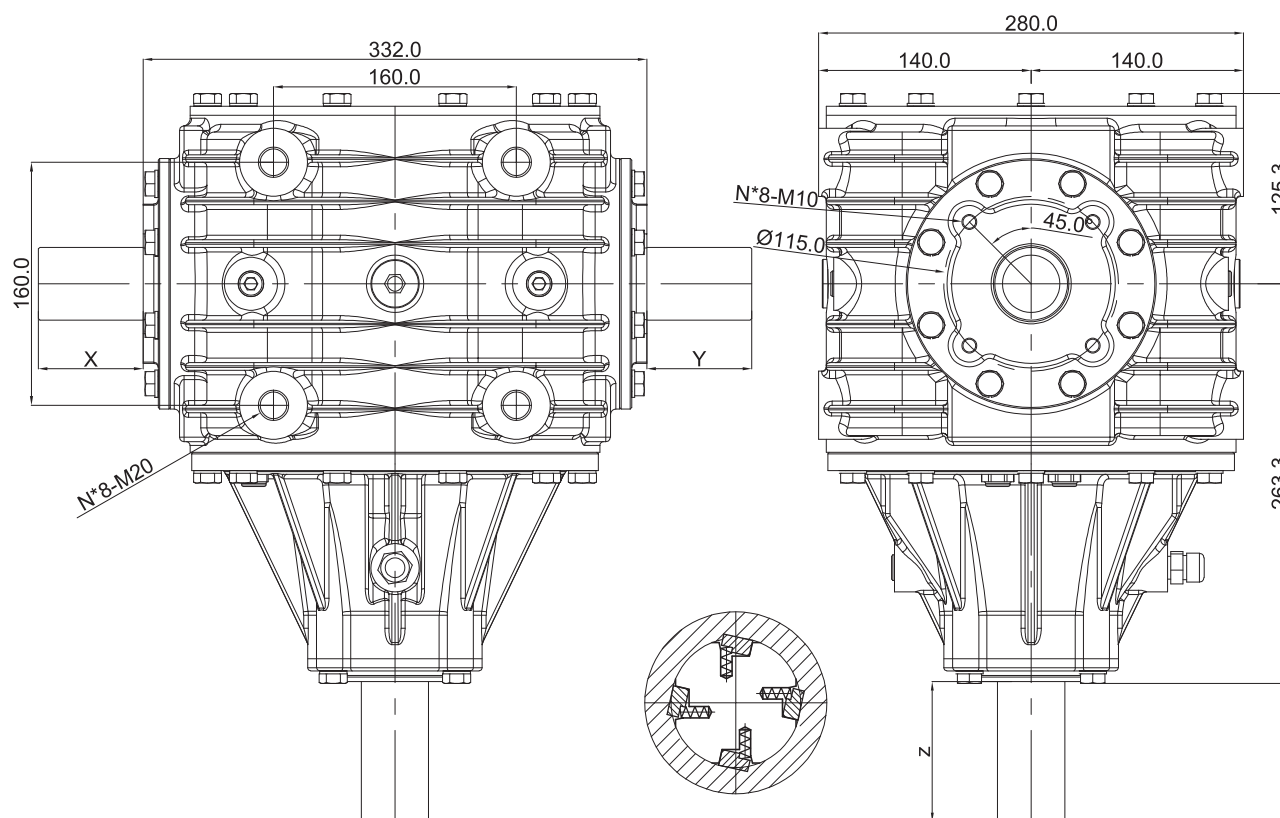
轴/Shafts



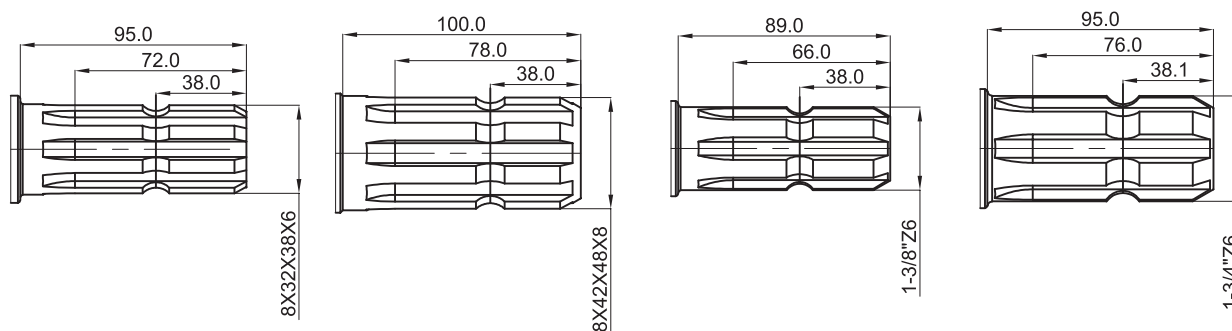
应用/USE	数比/RATIO	输入/INPUT				输出/OUTPUT	
		r.p.m	Kw	Hp	N.m	N.m	r.p.m
增速/SPEED MULTIPLIER	1:3.00	540	120	163	2122	707	1620
		1000	200	272	1910	637	3000
	1:2.40	540	140	190	2476	1032	1080
		1000	230	313	2196	915	2400
	1:1.80	540	160	218	2829	1572	972
		1000	270	367	2578	1432	1800

备注: 如需其它要求可定制/Remark: If you have any special require feel free let me know, we also accept custom.

尺寸/Dimensions



轴/Shafts

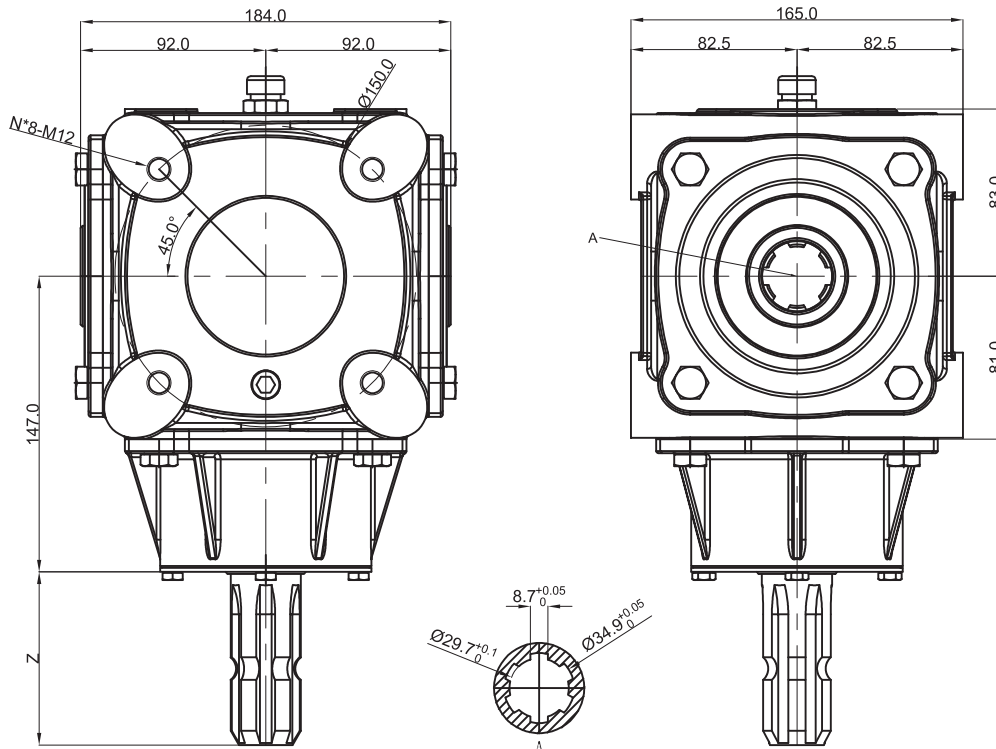


技术参数/Technical Data

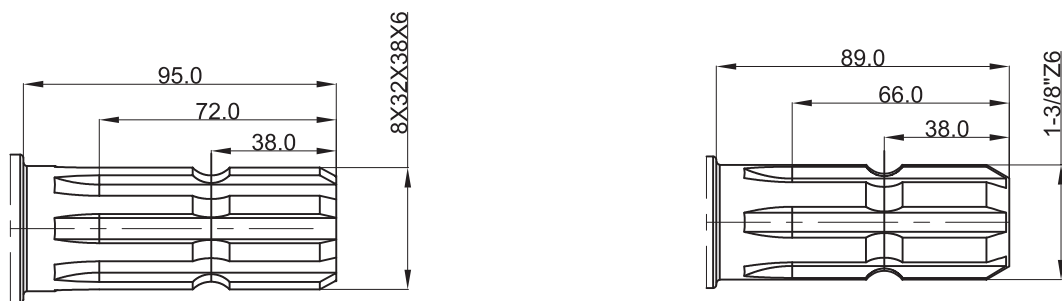
应用/USE	数比/RATIO	输入/INPUT				输出/OUTPUT	
		r.p.m	Kw	Hp	N.m	N.m	r.p.m
增速/SPEED MULTIPLIER	1:2.16	540	130	177	2306	1065	1166
		1000	220	300	2107	973	2160
	1:1.92	540	140	190	2470	1289	1037
		1000	243	330	2316	1209	1920
	1:1.57	540	148	200	2619	1667	848
		1000	257	350	2456	1563	1570

备注: 如需其它要求可定制/Remark: If you have any special require feel free let me know, we also accept custom.

尺寸/Dimensions



轴/Shafts

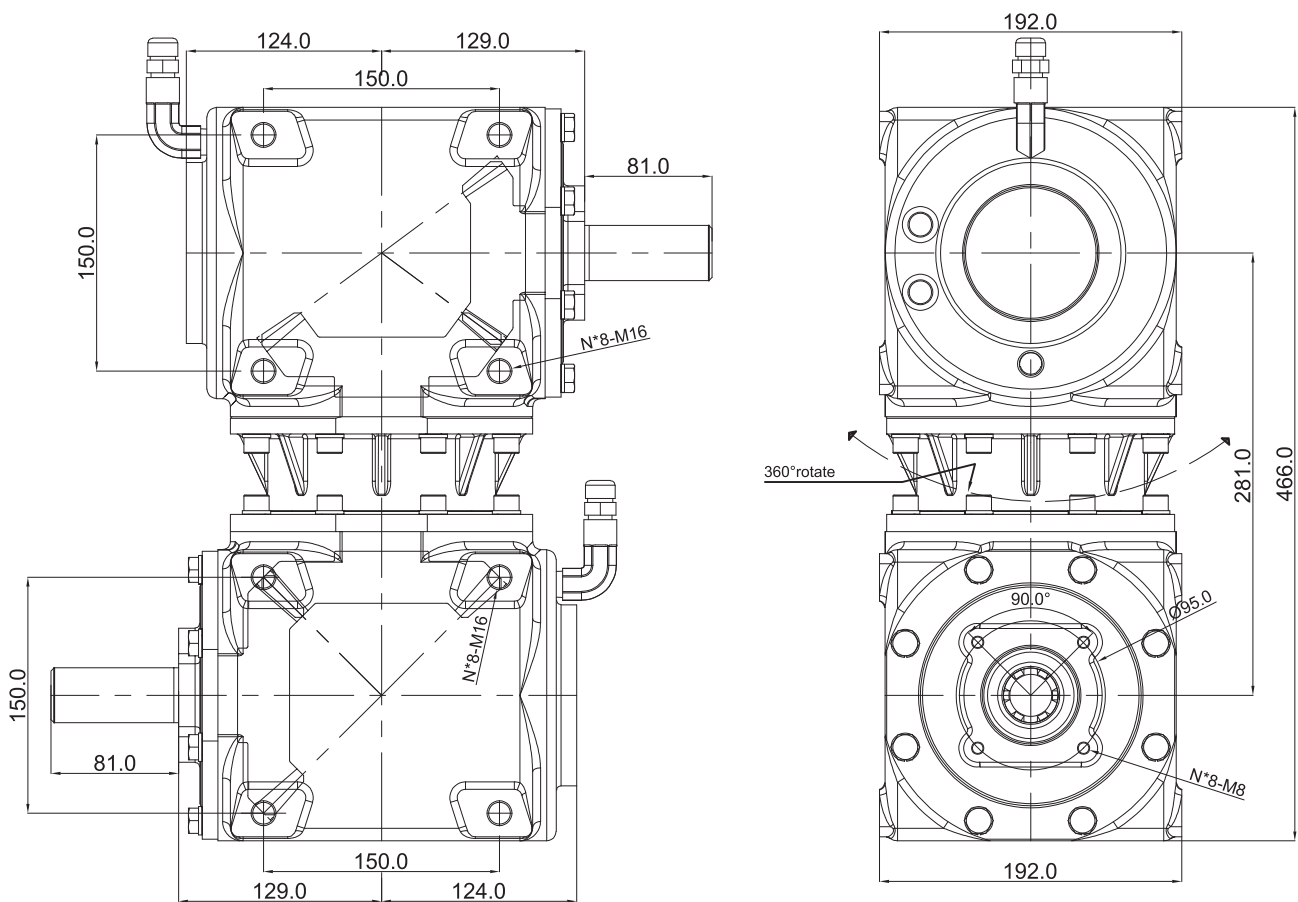


技术参数/Technical Data

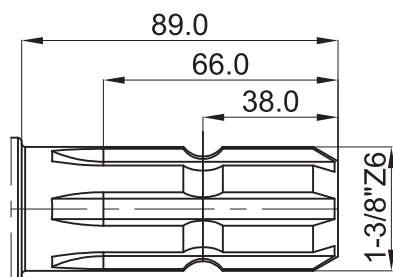
应用/USE	数比/RATIO	输入/INPUT				输出/OUTPUT	
		r.p.m	Hp	Kw	N.m	r.p.m	N.m
增速/SPEED MULTIPLIER	1:2.0	540	38	28	495	1080	248
	1:1.84	540	41	30	530	994	288

备注: 如需其它要求可定制/Remark: If you have any special require feel free let me know, we also accept custom.

尺寸/Dimensions



轴/Shafts

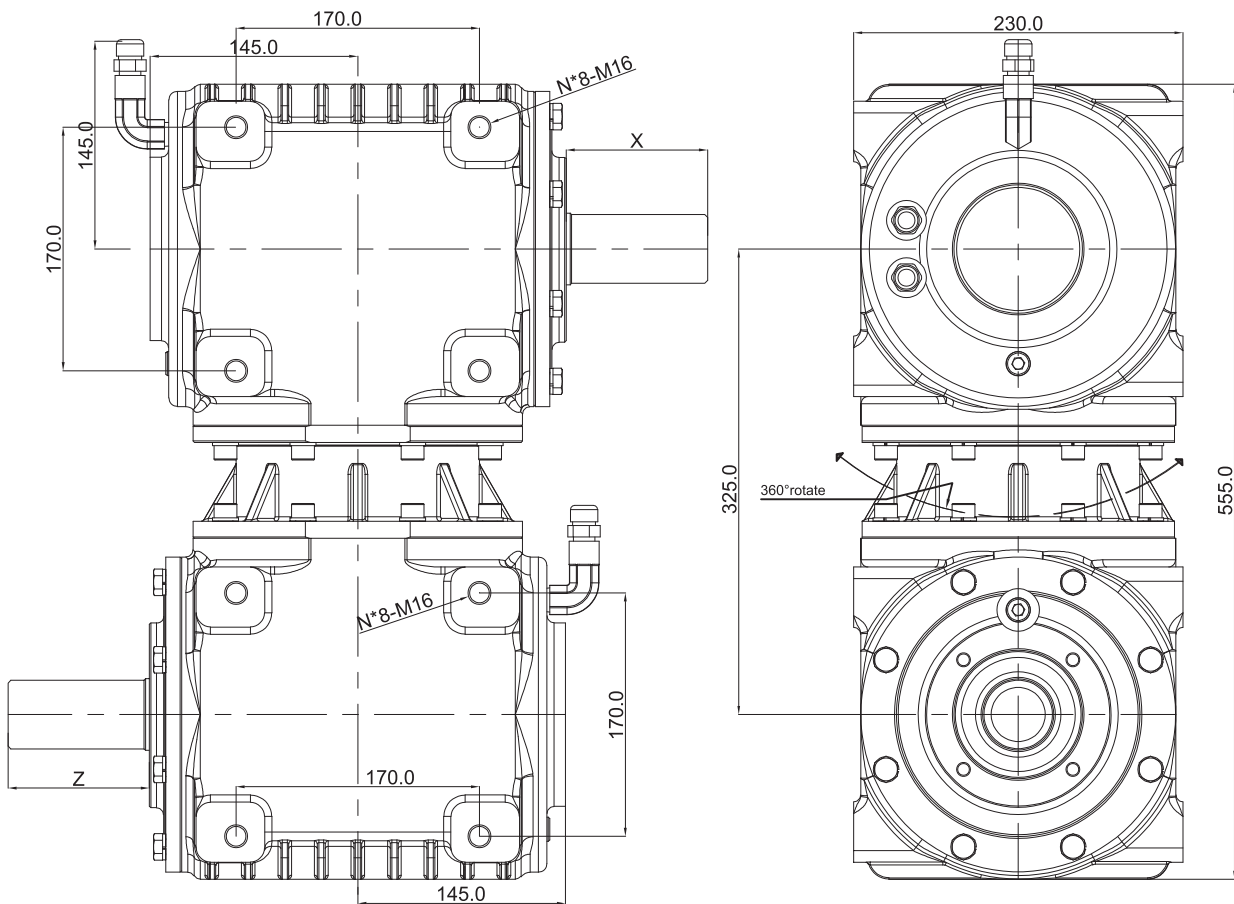


技术参数/Technical Data

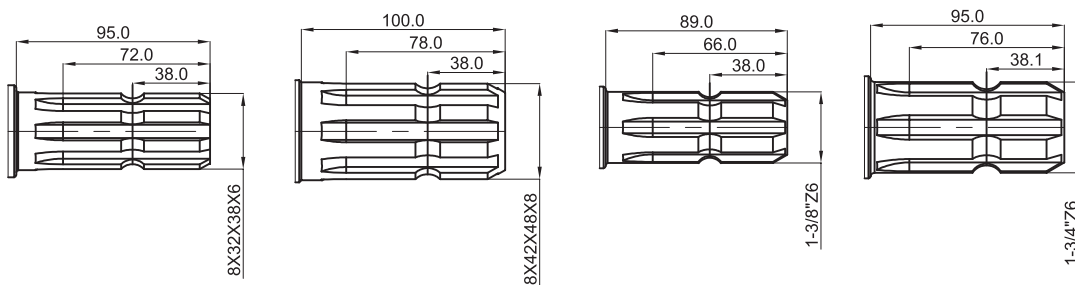
应用/USE	数比/RATIO	输入/INPUT				输出/OUTPUT	
		r.p.m	Hp	Kw	N.m	r.p.m	N.m
增速/SPEED MULTIPLIER	1:1.82	540	85	62.5	1105	983	607
	1:1.35	540	85	62.5	1105	729	819
减速/SPEED REDUCER	1.35:1	1000	120	88.2	842	740	1138

备注: 如需其它要求可定制/Remark: If you have any special require feel free let me know, we also accept custom.

尺寸/Dimensions



轴/Shafts

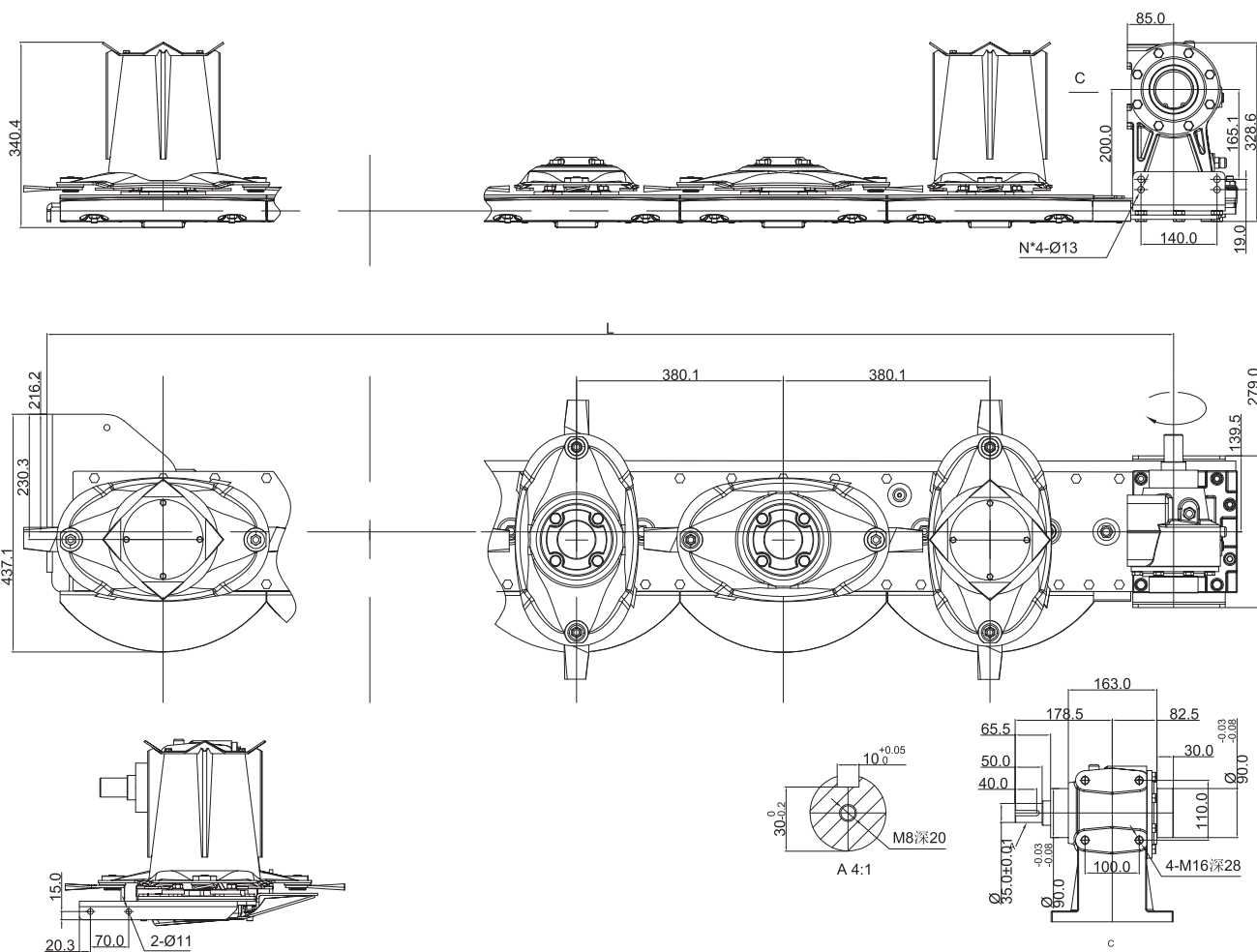


技术参数/Technical Data

应用/USE	数比/RATIO	输入/INPUT				输出/OUTPUT	
		r.p.m	Hp	Kw	N.m	r.p.m	N.m
增速/SPEED MULTIPLIER	1:1	540	163	120	2122	540	2122
		1000	286	210	2005	1000	2005

备注: 如需其它要求可定制/Remark: If you have any special require feel free let me know, we also accept custom.

尺寸/Dimensions

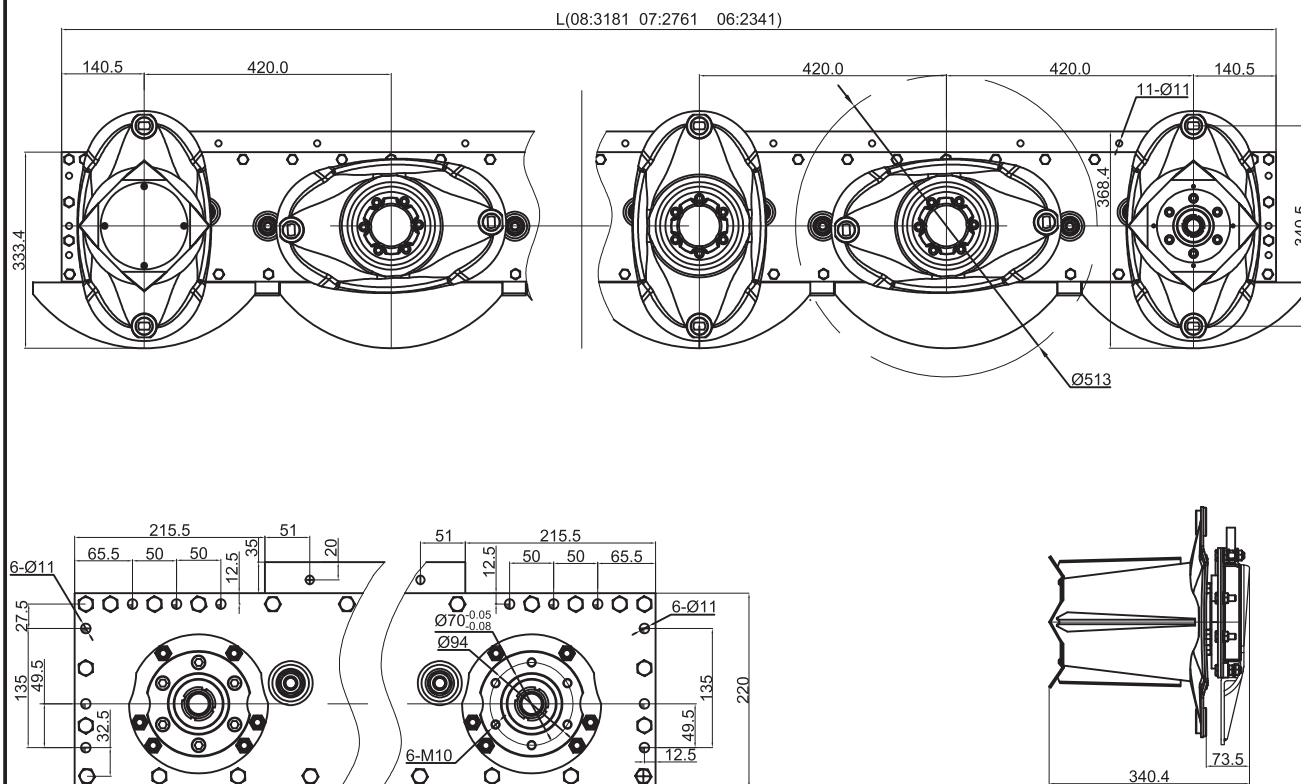


技术参数/Technical Data

型号/Type	KLF-GC04	KLF-GC05	KLF-GC06	KLF-GC07	KLF-GC08
公斤/kg	148	168	197	226	268
功率/kw/hp	21/28	26/35	31/42	37/50	41/56
长度/L	1821.8	2221.4	2586.3	2981.4	3321
工作宽幅/Work breadth	1650	2100	2400	2800	3150
刀盘数量/Cutter number	4	5	6	7	8
刀片数量/Number of blades	8	10	12	14	16
输入转数/Rpm input	1000				
输出转数/Rpm output	2667				

备注: 如需其它要求可定制/Remark: If you have any special require feel free let me know, we also accept custom.

尺寸/Dimensions



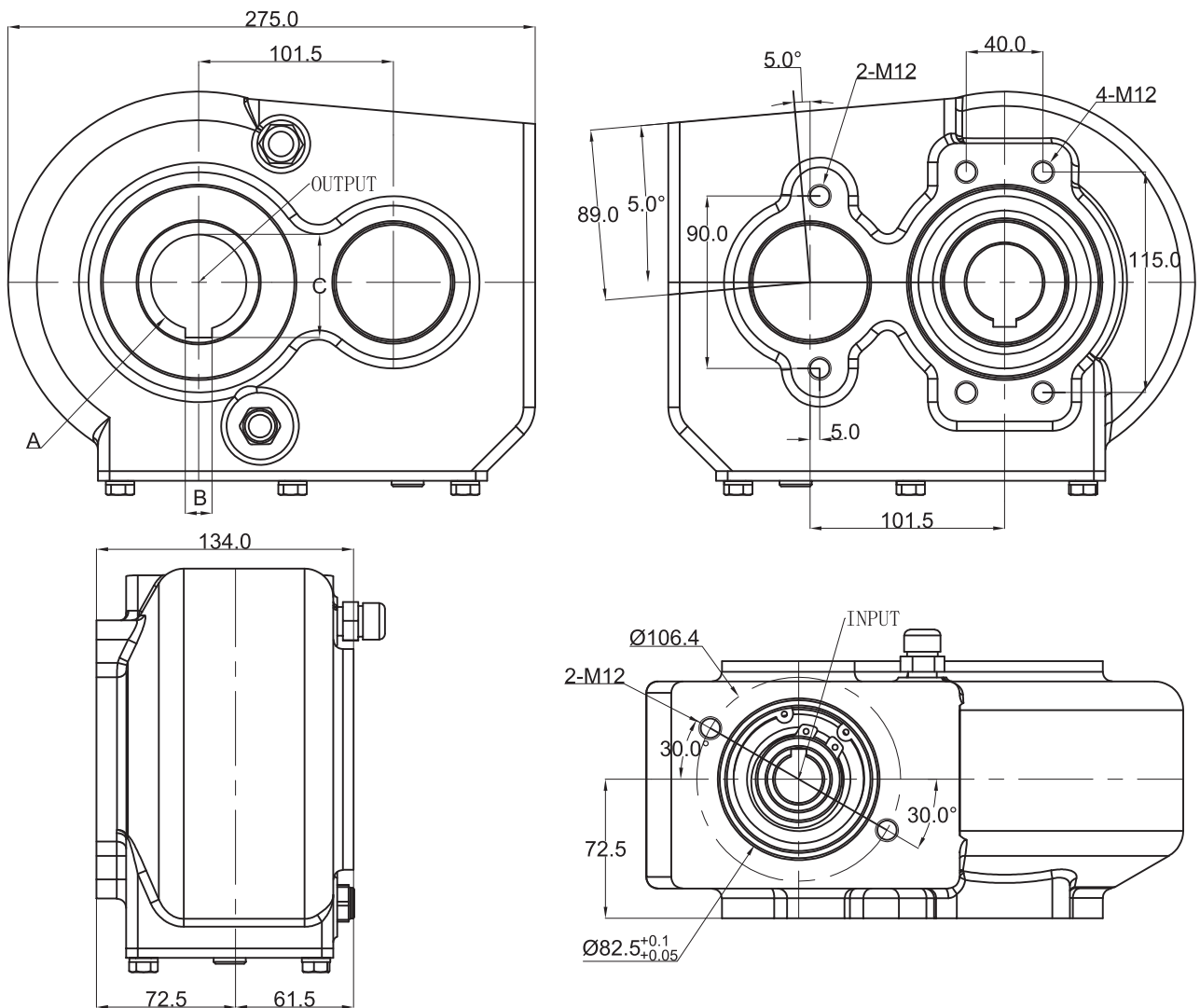
(Partial installation dimension diagram)1.5:1

技术参数/Technical Data

型号Type	KLF-GCB06	KLF-GCB07	KLF-GCB08
参数/Parameter			
功率/kw/hp	44/60	55/75	66/90
工作宽幅/Work breadth	2600	3000	3400
刀盘数量/Cutter number	6	7	8
刀片数量/Number of blades	12	14	16
输入转速/Rpm input	3000		
输出转速/Rpm output	3000		

备注：如需其它要求可定制/Remark: If you have any special require feel free let me know, we also accept custom.

尺寸/Dimensions



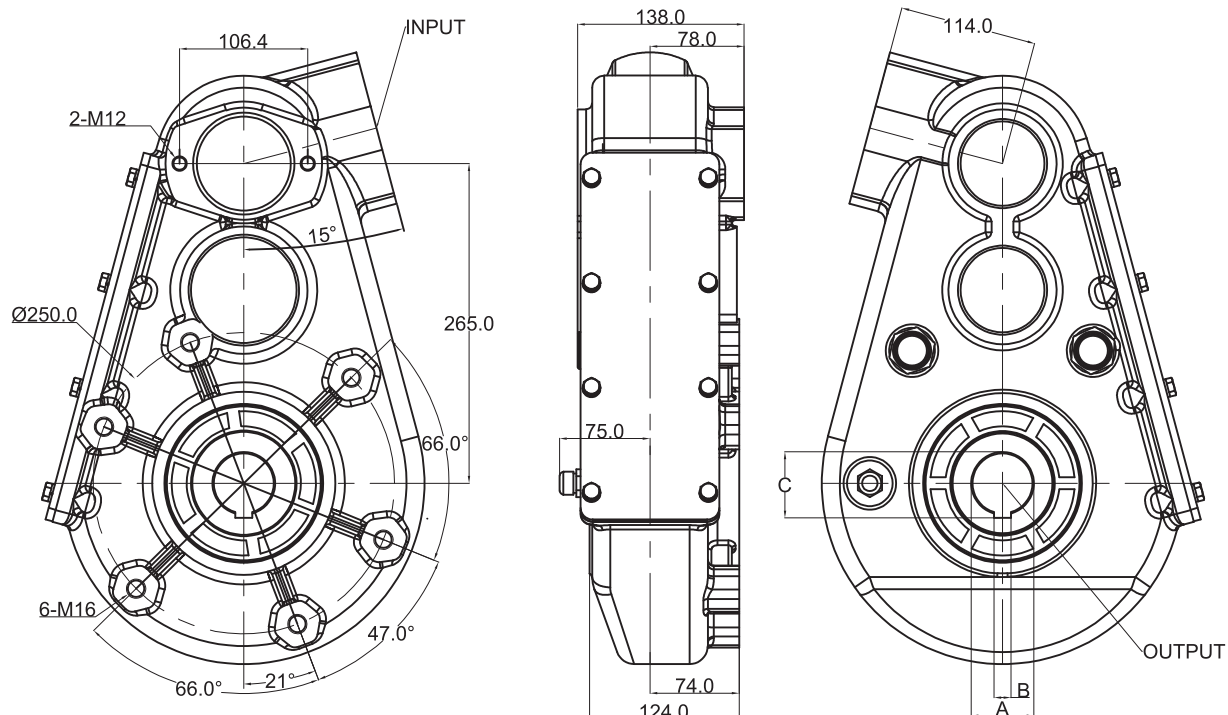
技术参数/Technical Data

应用/USE	数比/RATIO	输入/INPUT				输出/OUTPUT	
		r.p.m	Hp	Kw	N.m	r.p.m	N.m
减速/SPEED REDUCER	8.15:1	540	14	10	177	66	1500

备注：如需其它要求可定制/Remark: If you have any special require feel free let me know, we also accept custom.

A	B	C
ø45	14	48.8
ø50	14	53.8

尺寸/Dimensions



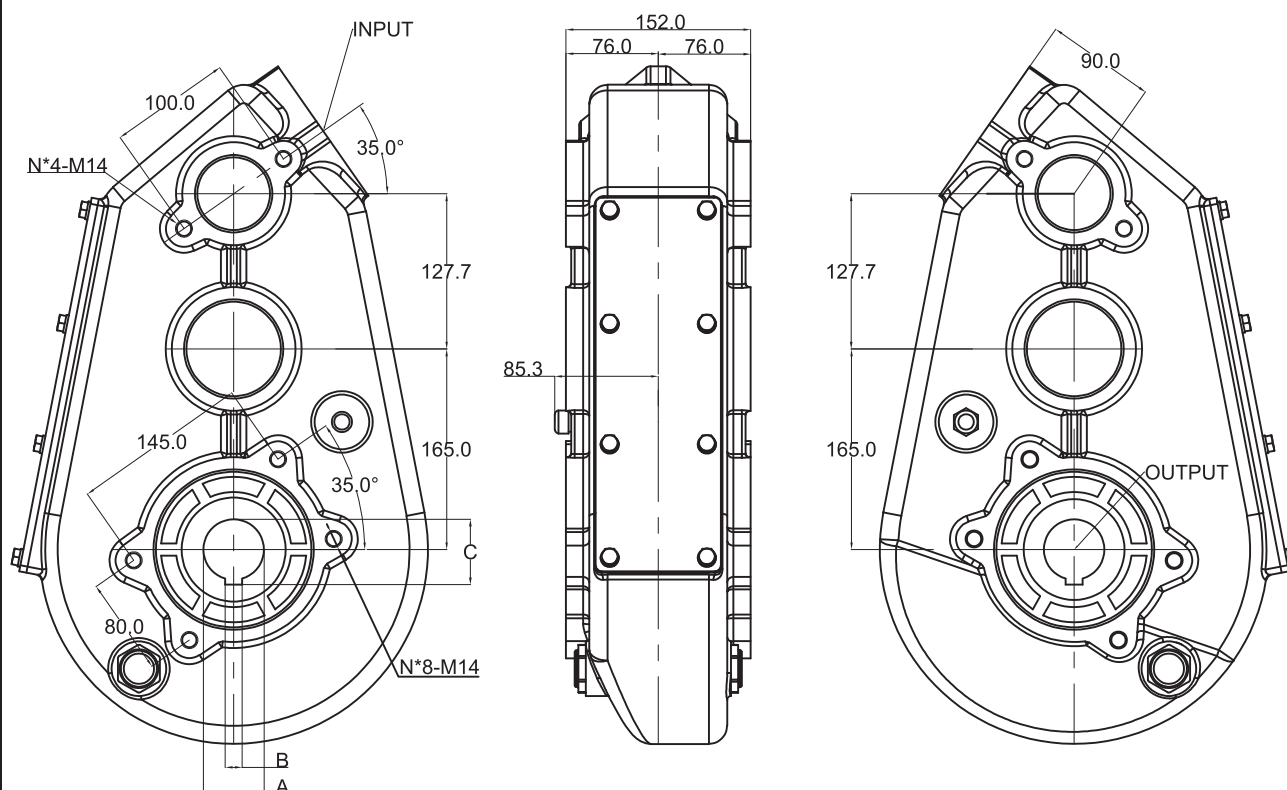
技术参数/Technical Data

应用/USE	数比/RATIO	输入/INPUT				输出/OUTPUT	
		r.p.m	Hp	Kw	N.m	r.p.m	N.m
减速/SPEED REDUCER	24.3:1	540	11	8.0	140	22	3500

备注: 如需其它要求可定制/Remark: If you have any special require feel free let me know, we also accept custom.

A	B	C
φ45	14	48.8
φ50	14	53.8
φ60	18	64.4

尺寸/Dimensions



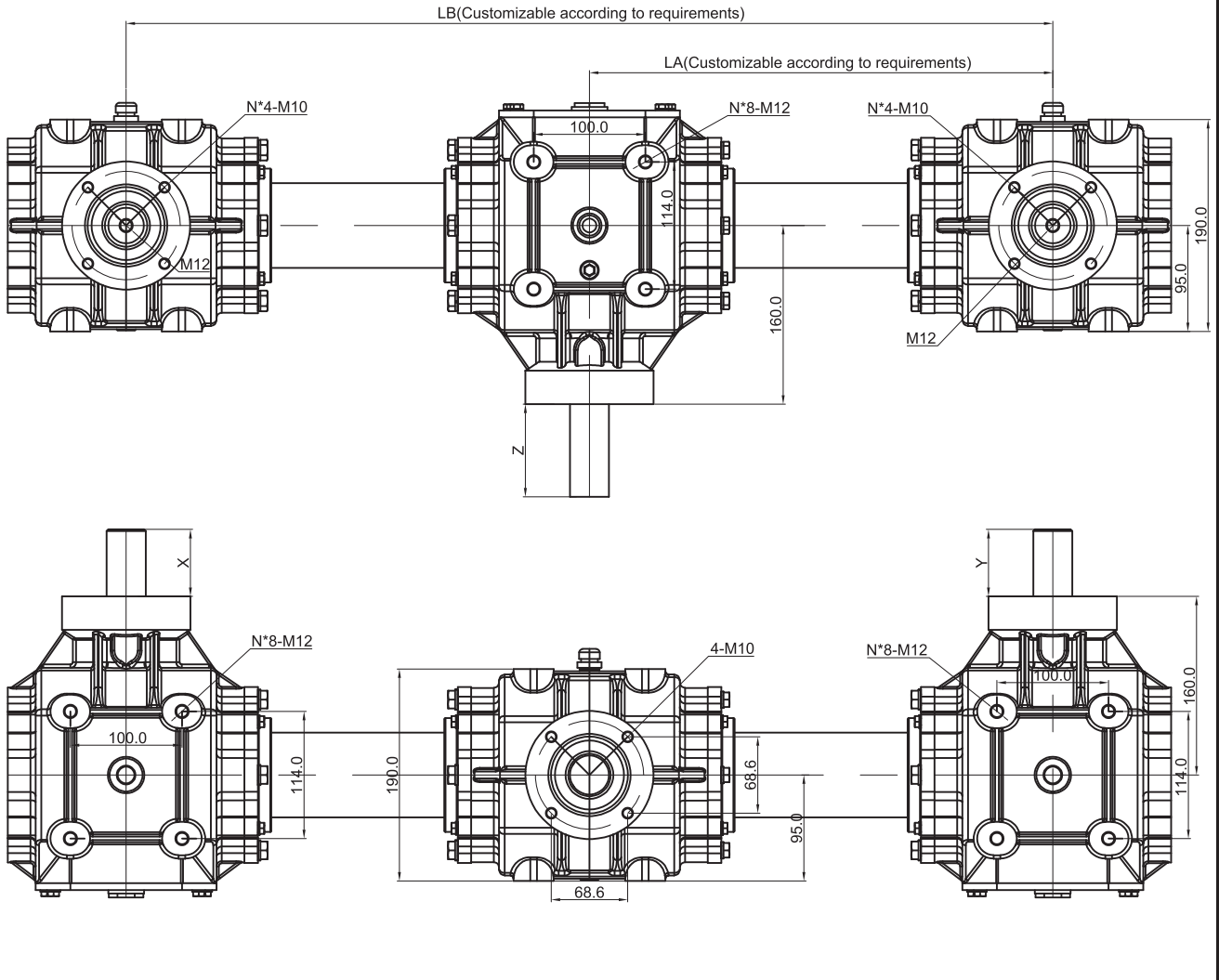
技术参数/Technical Data

应用/USE	数比/RATIO	输入/INPUT				输出/OUTPUT	
		r.p.m	Hp	Kw	N.m	r.p.m	N.m
减速/SPEED REDUCER	43.54:1	540	8.57	6.3	112	12	5000

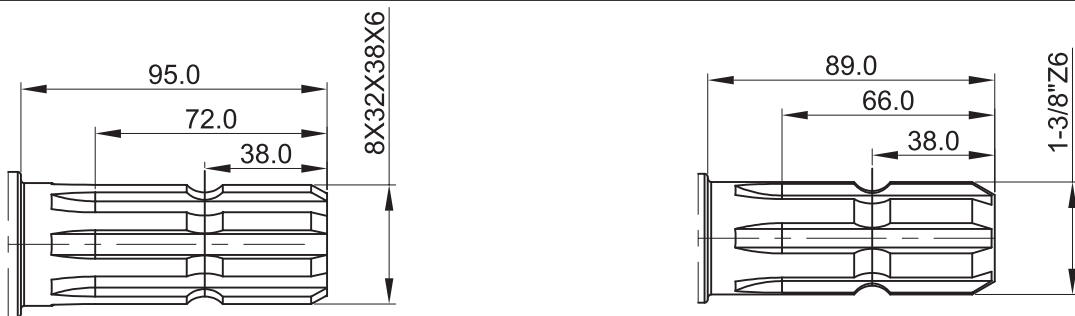
备注: 如需其它要求可定制/Remark: If you have any special require feel free let me know, we also accept custom.

A	B	C
φ50	14	53.8
φ55	16	59.3
φ60	18	64.4

尺寸/Dimensions



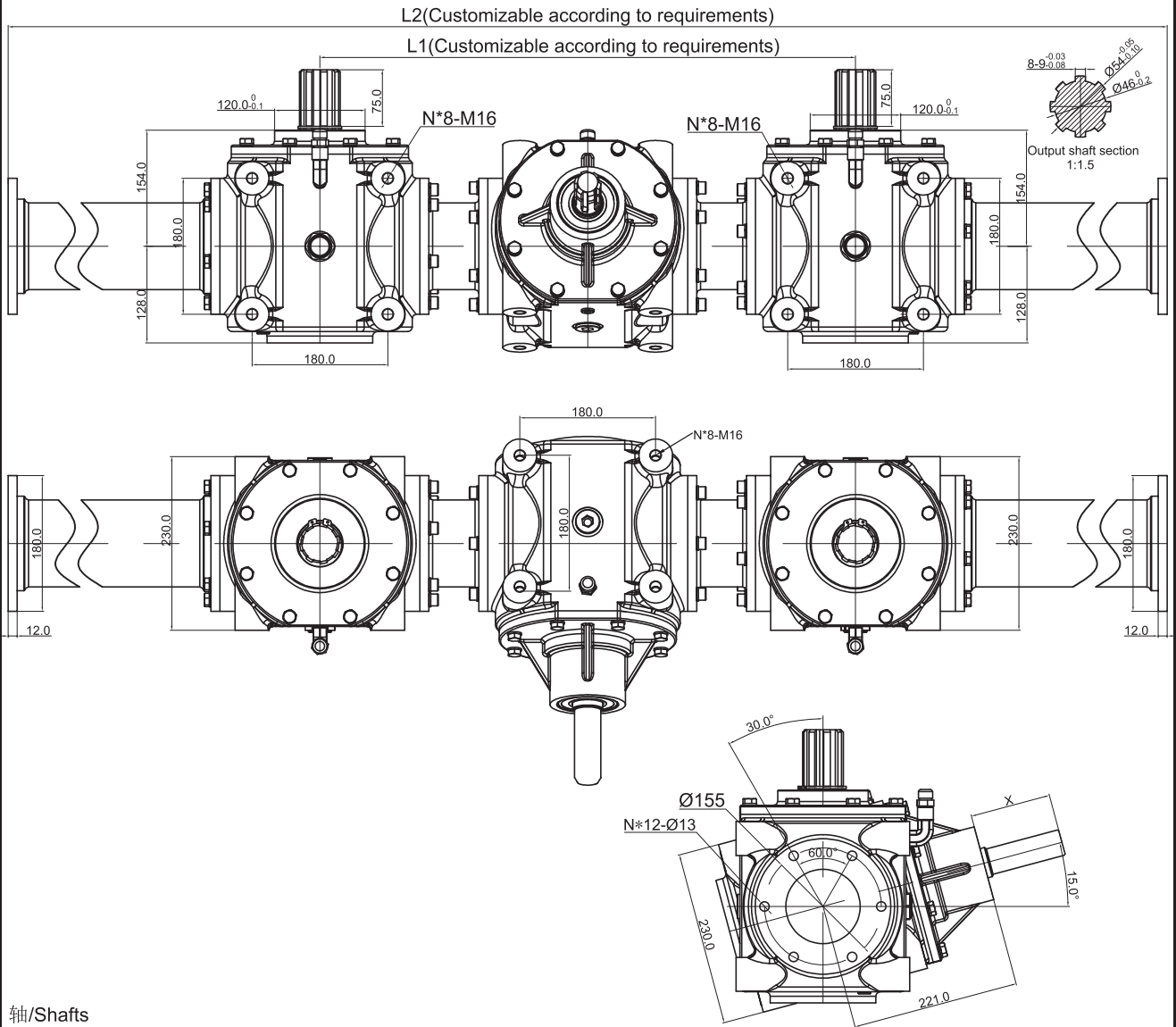
轴/Shfts



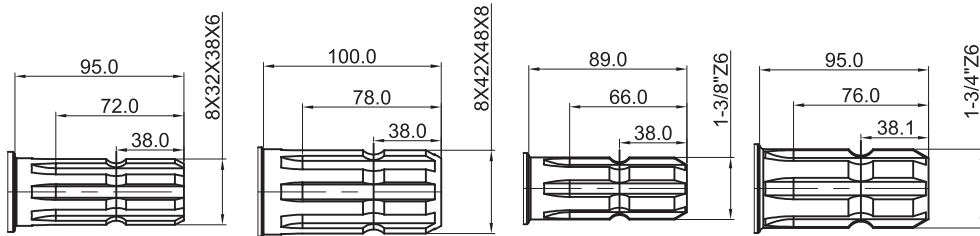
应用/USE	数比/RATIO	输入/INPUT				输出/OUTPUT	
		r.p.m	Hp	Kw	N.m	r.p.m	N.m
减速/SPEED REDUCER	1:1	540	72	53	937	540	937
	1.46:1	540	88	65	1149	368	1686

备注: 如需其它要求可定制/Remark: If you have any special require feel free let me know, we also accept custom.

尺寸/Dimensions



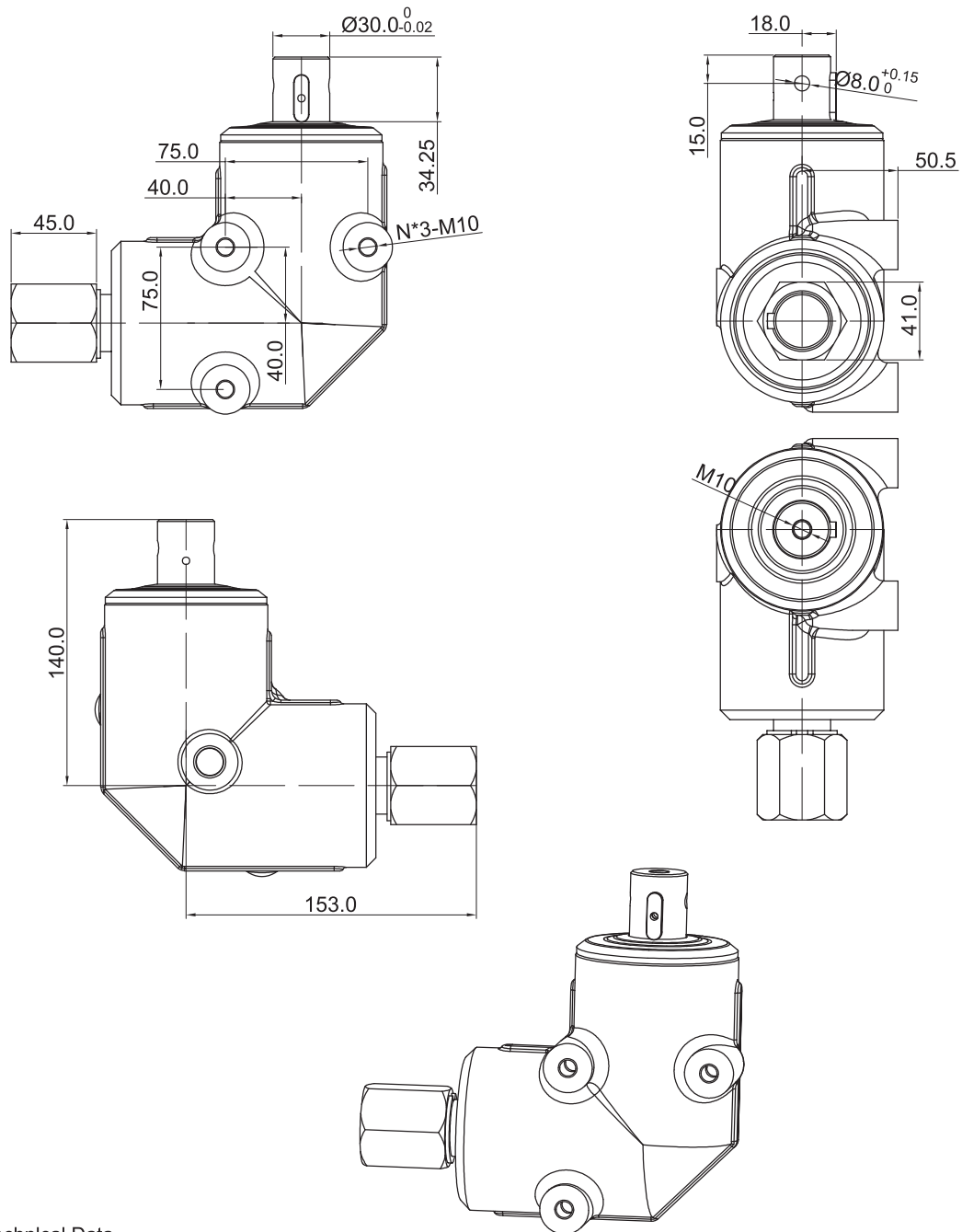
轴/Shfts



应用/USE	数比/RATIO	输入/INPUT				输出/OUTPUT	
		r.p.m	Hp	Kw	N.m	r.p.m	N.m
减速/SPEED REDUCER	2.36:1	1000	163	120	2782	424	3450

备注: 如需其它要求可定制/Remark: If you have any special require feel free let me know, we also accept custom.

尺寸/Dimensions

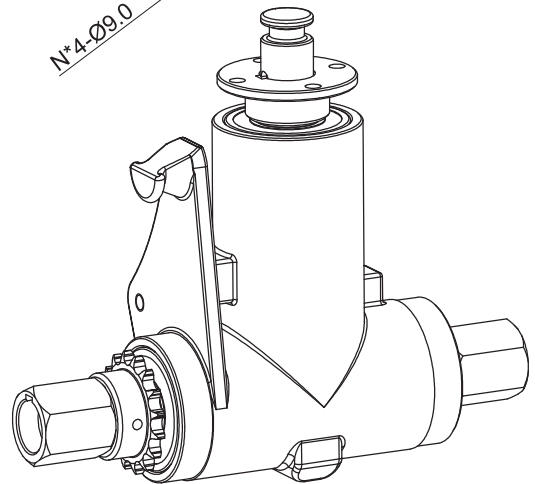
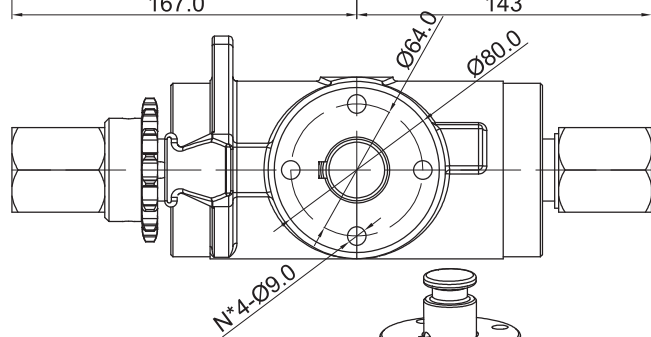
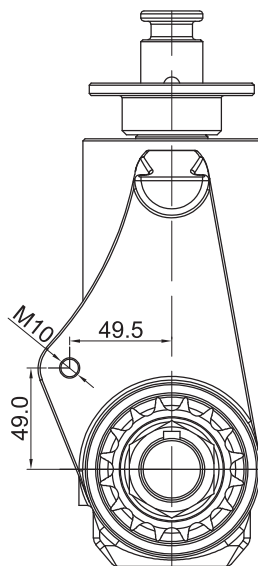
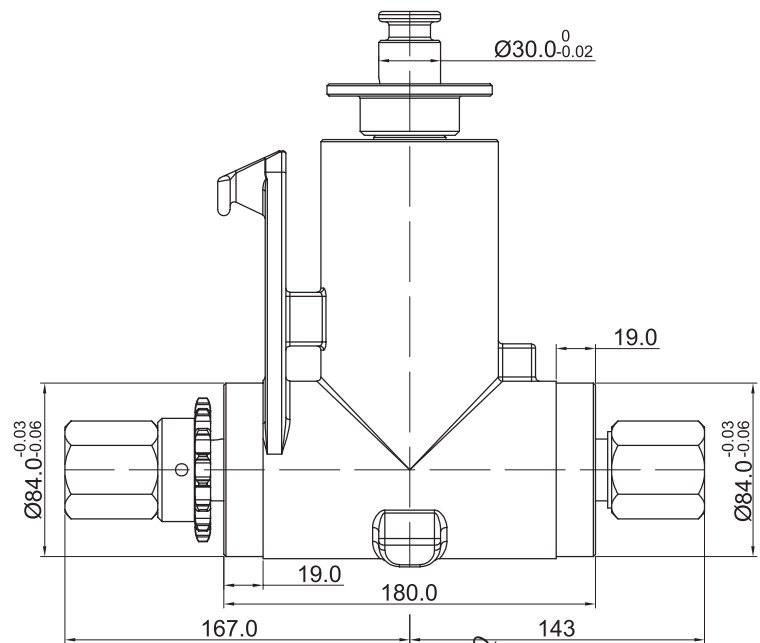
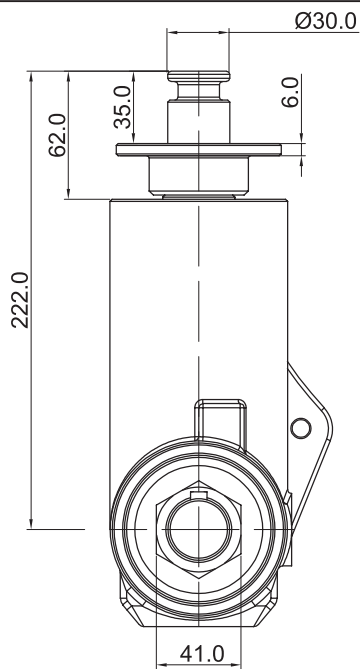


技术参数/Technical Data

应用/USE	数比/RATIO	输入/INPUT				输出/OUTPUT	
		r.p.m	Hp	Kw	N.m	r.p.m	N.m
增速/SPEED MULTIPLIER	1:1.33	540	16	12	195	718	146
		1000	24	18	172	1330	129

备注: 如需其它要求可定制/Remark: If you have any special require feel free let me know, we also accept custom.

尺寸/Dimensions

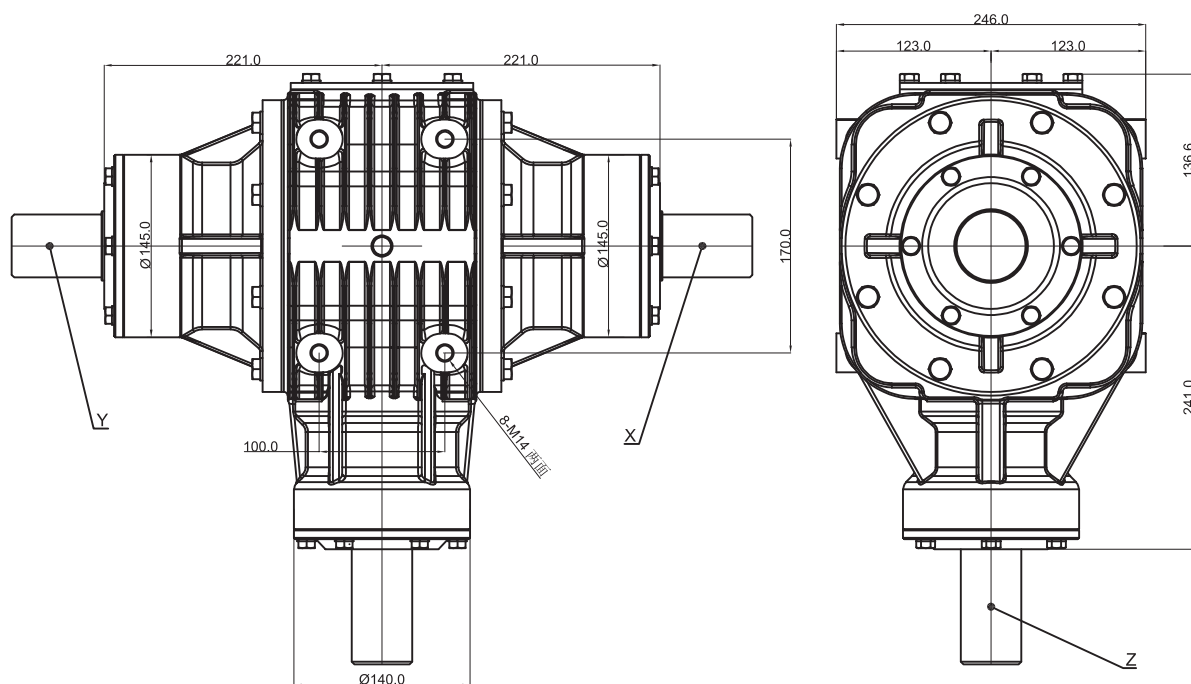


技术参数/Technical Data

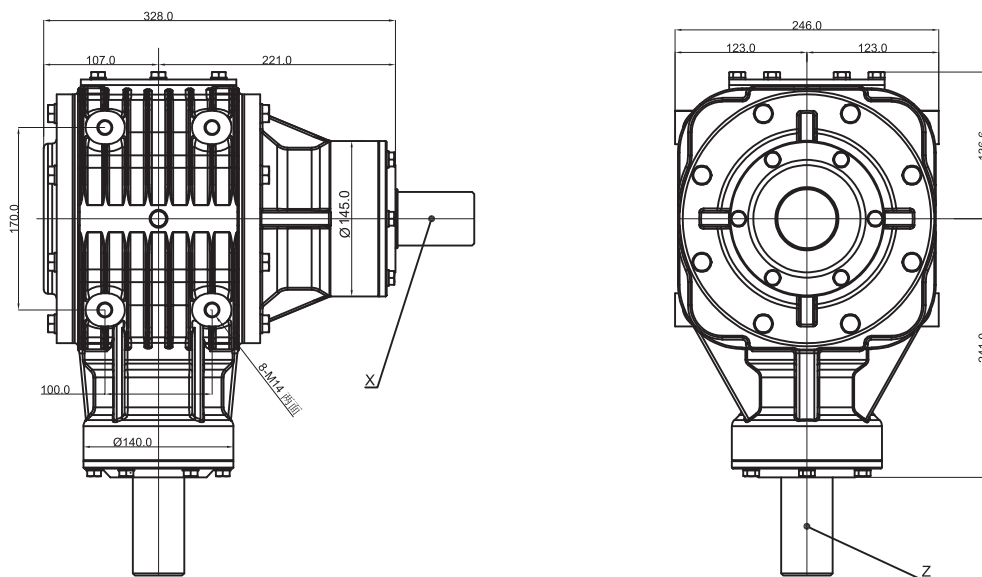
应用/USE	数比/RATIO	输入/INPUT				输出/OUTPUT	
		r.p.m	Hp	Kw	N.m	r.p.m	N.m
	1:1	540	20	15	265	540	265
		1000	33	24	229	1000	229

备注: 如需其它要求可定制/Remark: If you have any special require feel free let me know, we also accept custom.

尺寸/Dimensions



尺寸/Dimensions

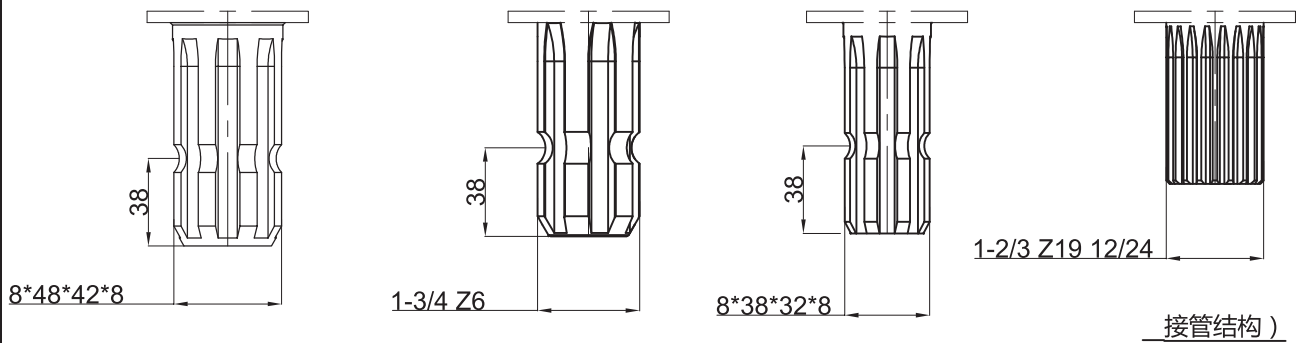


技术参数/Technical Data

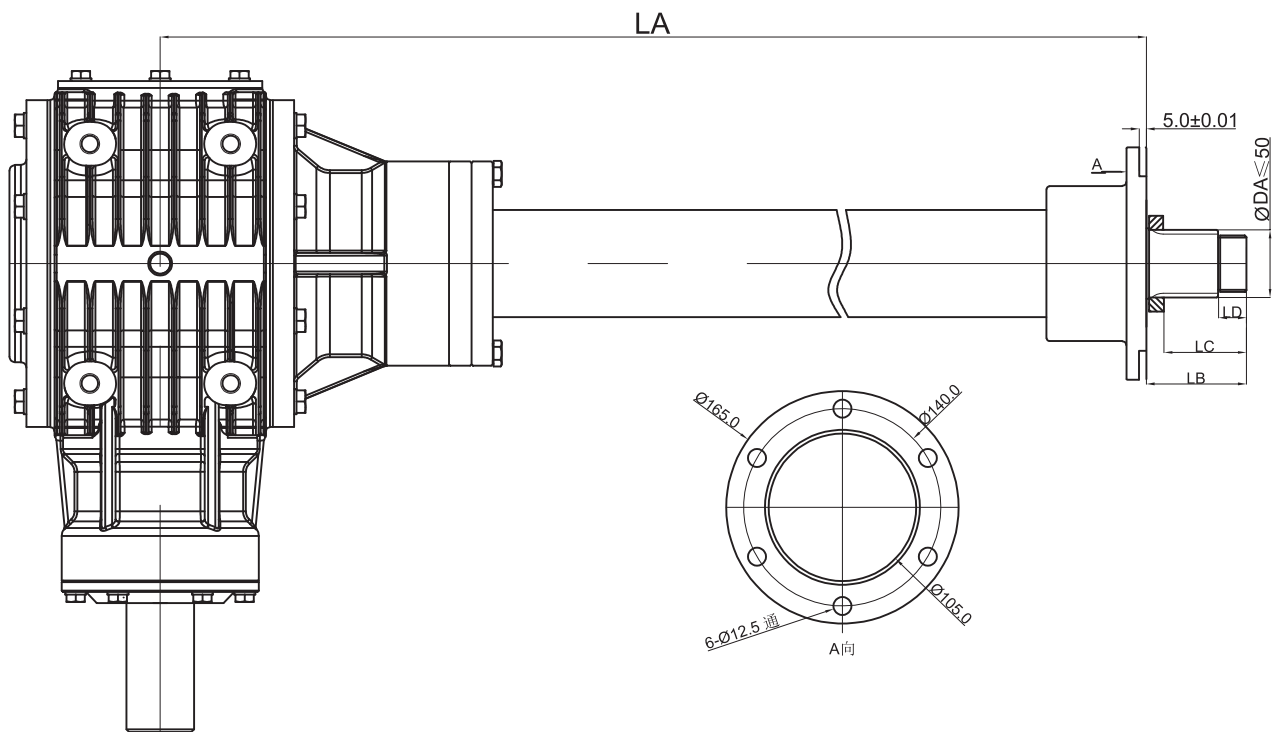
应用/USE	速比/RATIO	输入/INPUT				输出/OUTPUT	
		r.p.m	Hp	Kw	N.m	r.p.m	N.m
减速/SPEED REDUCER	1.92:1	540	100	73.5	1300	280	2507

备注：如需其它要求可定制/Remark: If you have any special require feel free let me know, we also accept custom.

轴/Shfts

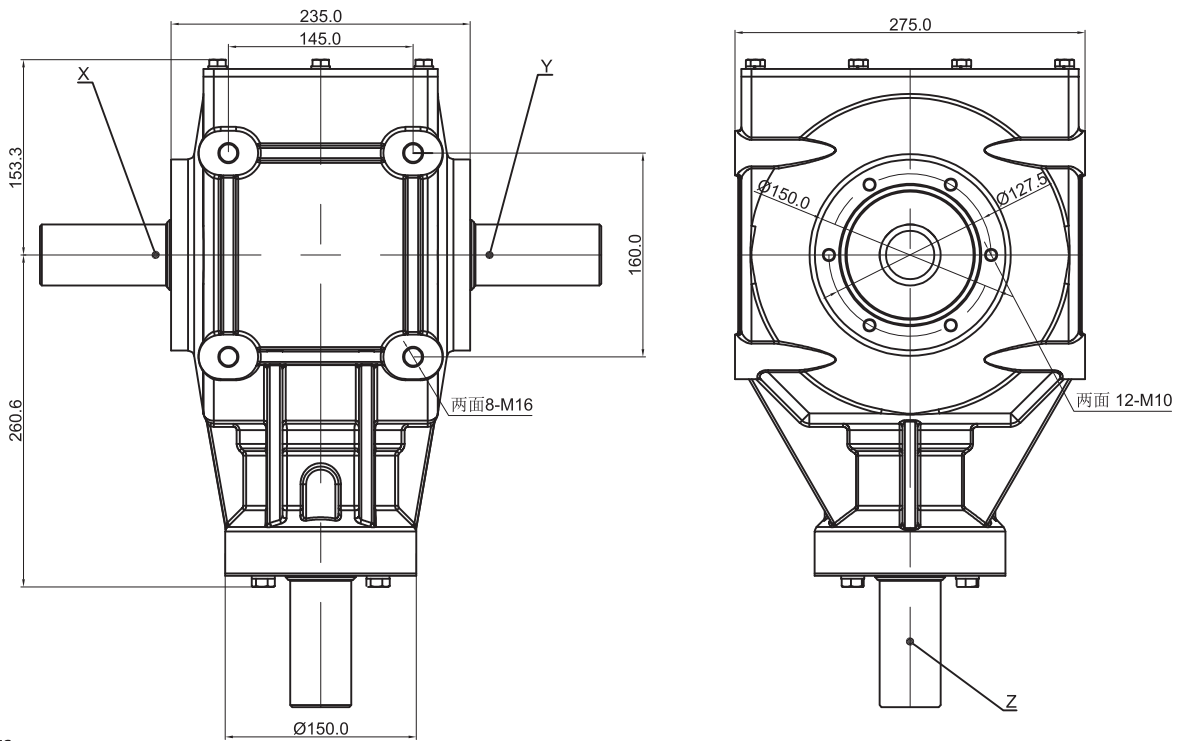


接长管/Extension pipe

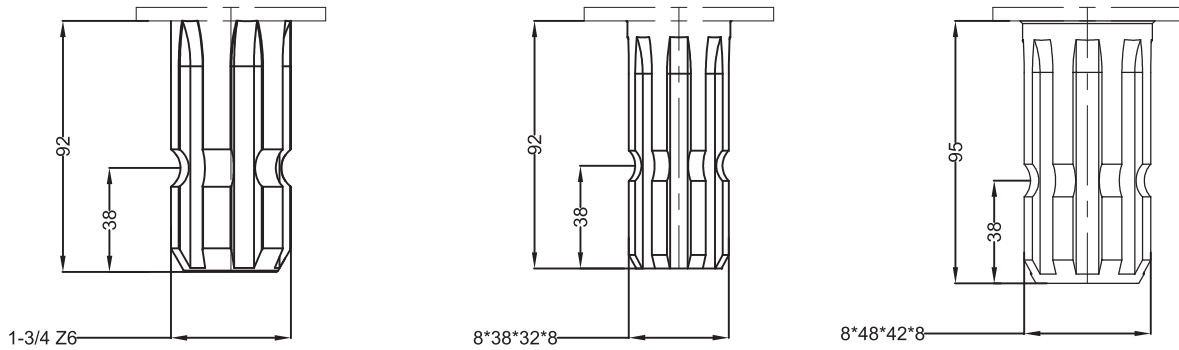


备注：也可两边接管./It can also be taken over from both sides.

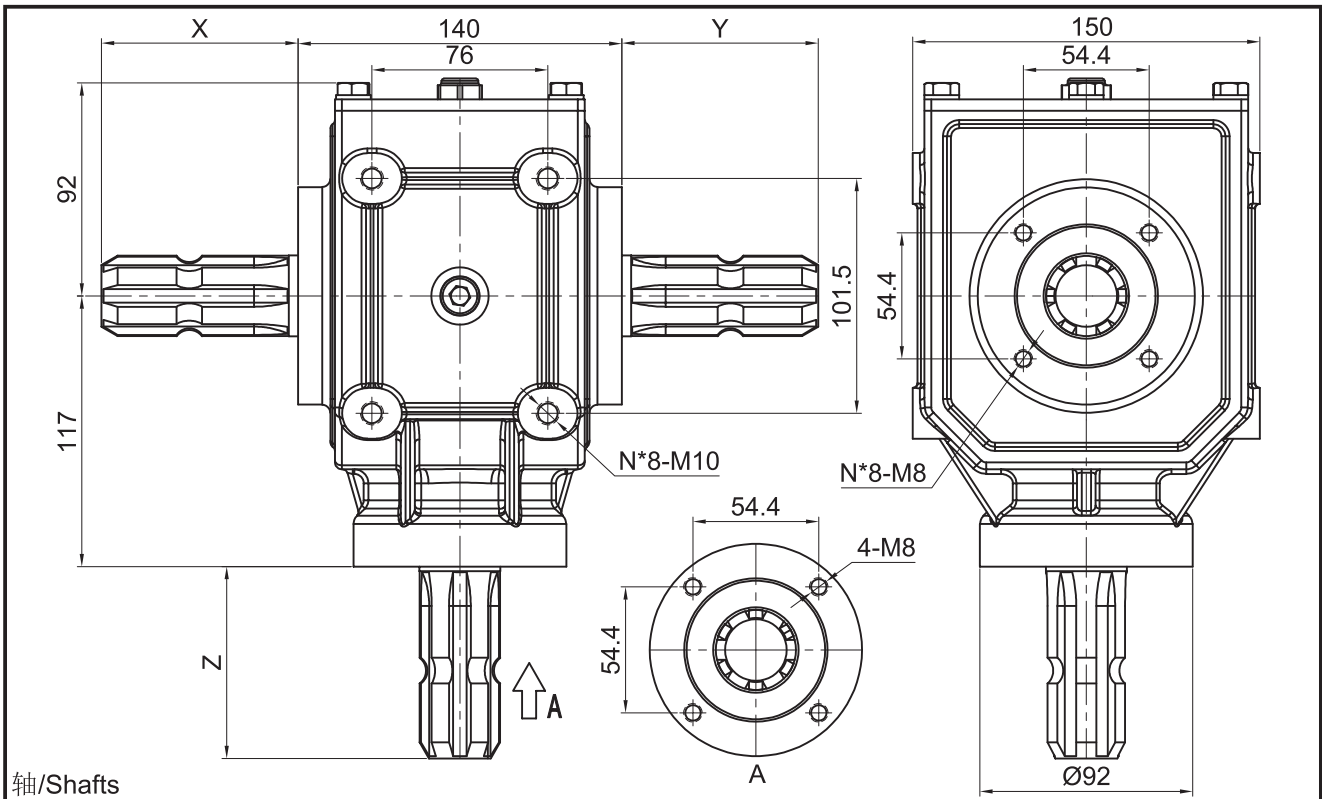
尺寸/Dimensions



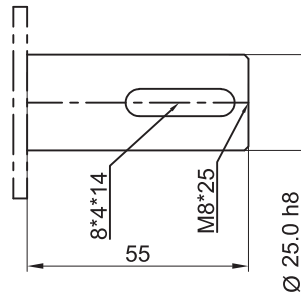
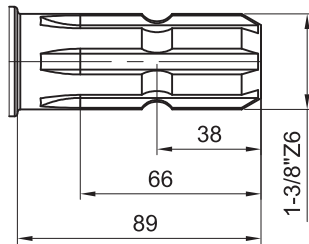
轴/Shfts



USE	RATIO	INPUT			OUTPUT		
		r.p.m	P Kw	Hp	M N.m	M N.m	r.p.m
增速/SPEED MULTIPLIER	1:3.10	540	90	122	513	504	1587
		1000	145	197	1380	447	3100
	1:2.46	540	90	122	513	647	1328
		1000	145	197	1380	563	2460
	1:1.93	540	107	145	1887	978	1042
		1000	162	220	1546	801	1930
减速/SPEED REDUCER	1.93:1	540	100	136	1768	3389	280
		1000	165	224	1576	3020	518
	2.46:1	540	53	72	937	2307	220
		1000	88	120	840	2068	407
	3.10:1	540	40	55	716	2218	174
		1000	62	85	597	1851	323

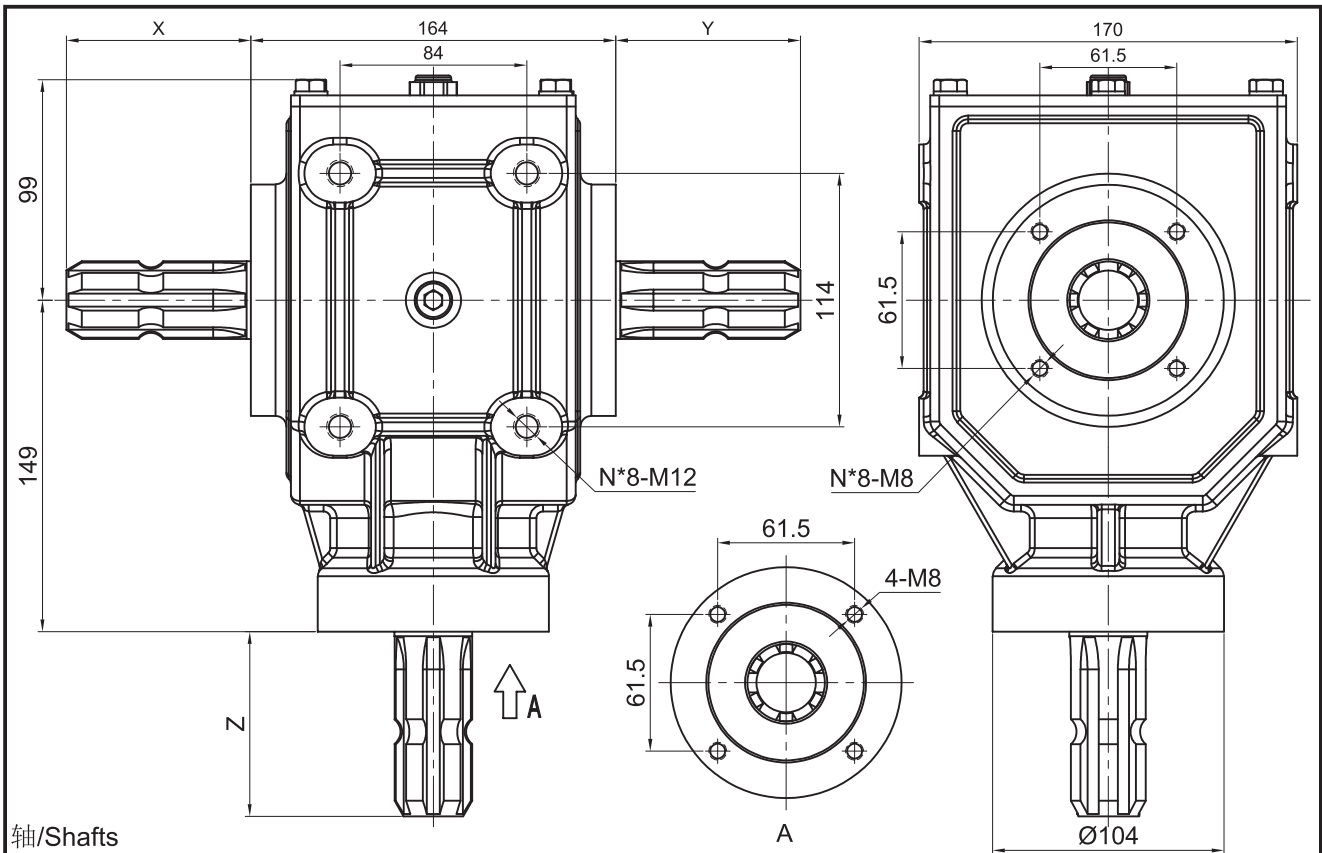


轴/Shfts

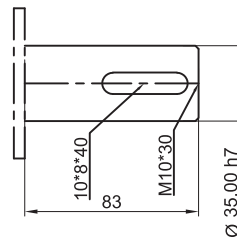
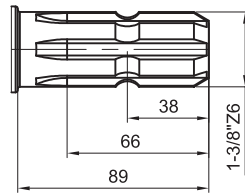


应用/USE	数比/RATIO	P 输入/INPUT				M 输出/OUTPUT	
		r.p.m	Kw	Hp	N.m	N.m	r.p.m
增速/SPEED MULTIPLIER	1:3.90	540	10	13	169	43	2106
		--	--	--	--	--	--
	1:3.00	540	14	19	247	82	1620
		1000	21	29	204	68	3000
	1:2.54	540	17	23	299	118	1372
1000		25	34	239	94	2540	
1:2.08	540	21	28	364	175	1123	
	1000	29	40	281	135	2080	
减速/SPEED REDUCER	2.08:1	540	12	16	221	460	260
		1000	18	25	176	365	481
	2.54:1	540	9	12	156	397	213
		1000	13	18	126	321	394
	3.00:1	540	7	9	117	351	180
		1000	10	14	98	295	333
	3.90:1	540	4	5	65	254	138
		1000	6	8	56	219	256

备注: 如需其它要求可定制/Remark: If you have any special require feel free let me know, we also accept custom.

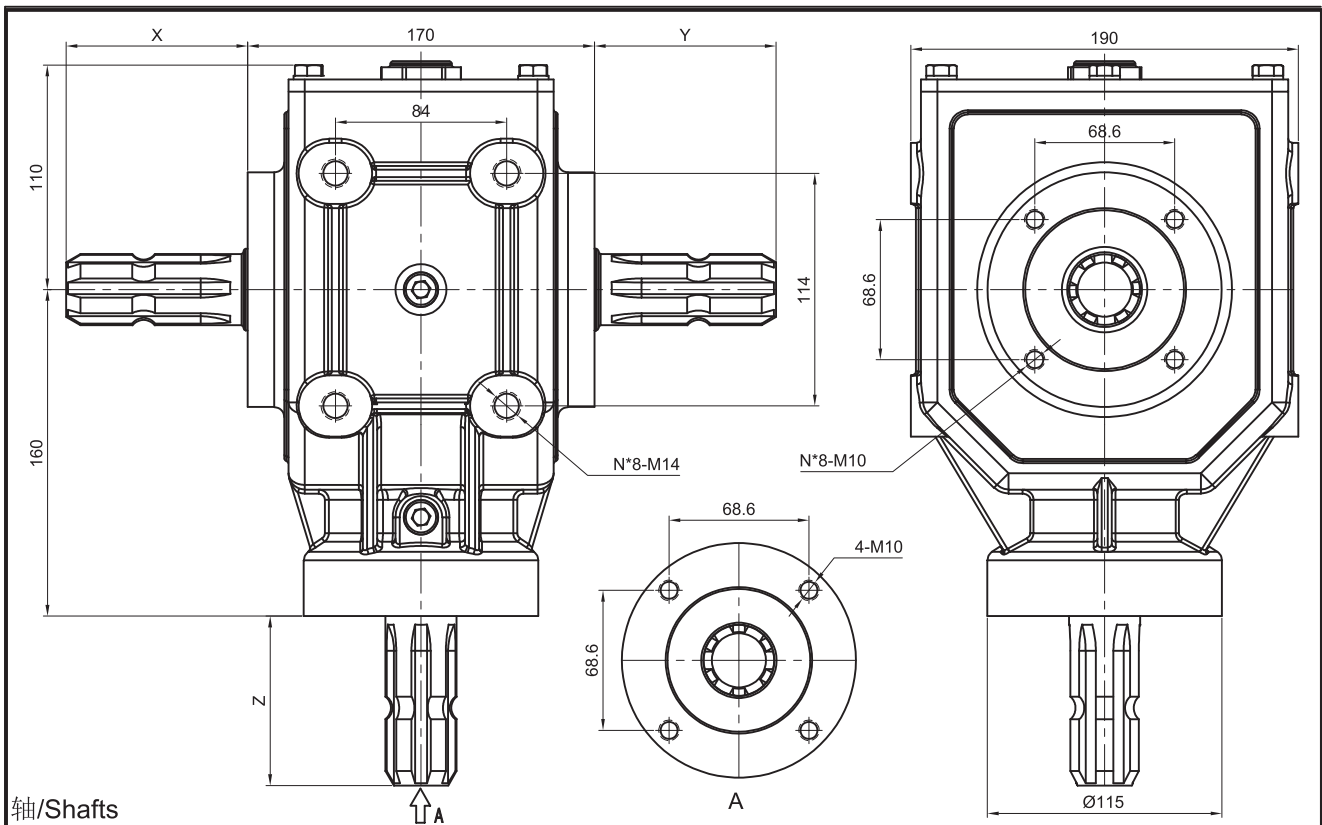


轴/Shafths



应用/USE	数比/RATIO	P 输入/INPUT						M 输出/OUTPUT	
		r.p.m	Kw	Hp	M	N.m	N.m	r.p.m	
增速/SPEED MULTIPLIER	1:4.12	540	21	29	377	92	2225		
		1000	32	44	309	75	4120		
	1:3.10	540	24	33	429	139	1674		
		1000	37	51	358	116	3100		
	1:2.58	540	28	38	494	192	1393		
		1000	43	58	408	158	2580		
	1:2.08	540	31	42	546	263	1123		
		1000	48	65	457	220	2080		
减速/SPEED REDUCER	2.08:1	540	19	26	338	704	260		
		1000	29	40	281	585	481		
	2.58:1	540	15	21	273	705	209		
		1000	24	32	225	580	388		
	3.10:1	540	11	15	195	605	174		
		1000	17	23	162	501	323		
	4.12:1	540	8	11	143	590	131		
		1000	12	16	119	492	243		

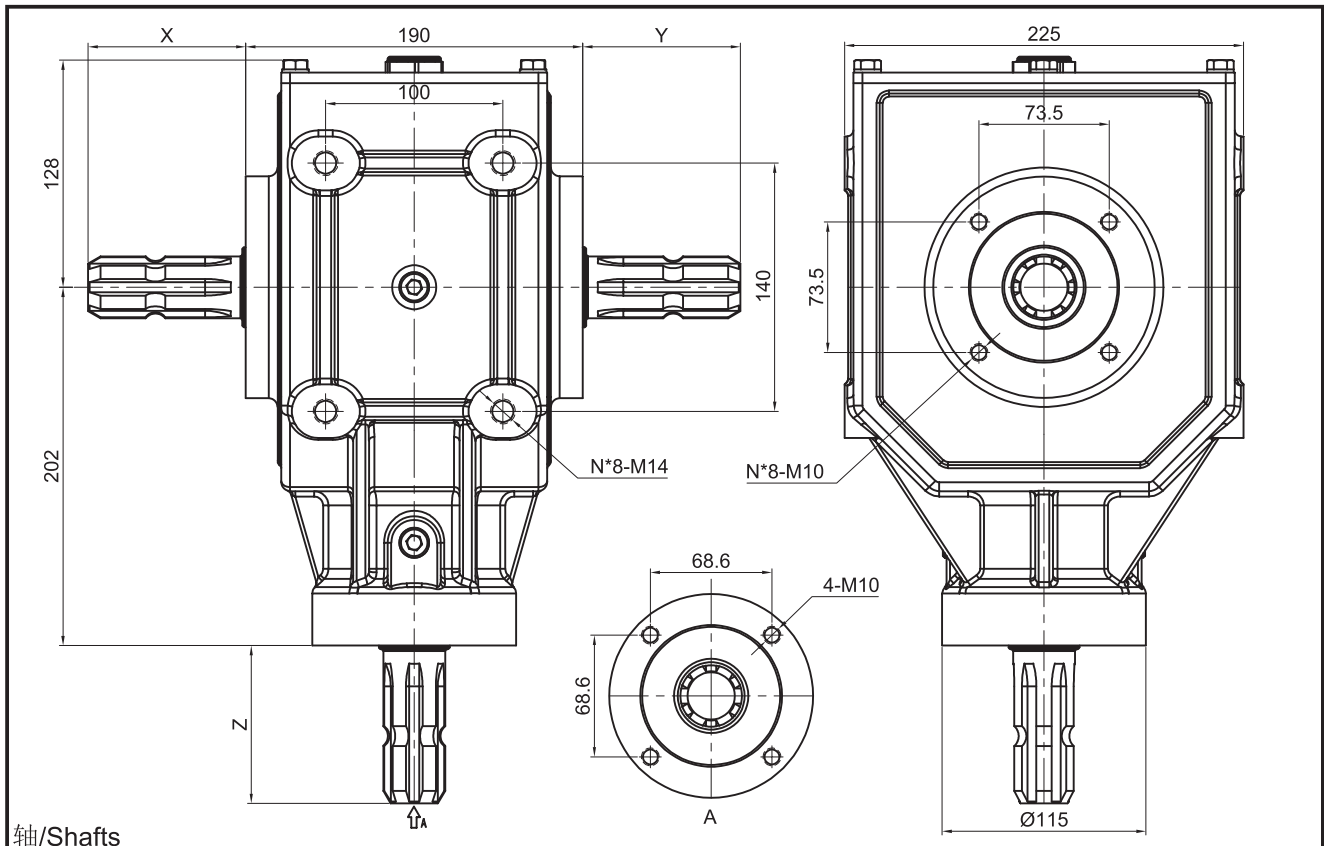
备注: 如需其它要求可定制/Remark: If you have any special require feel free let me know, we also accept custom.



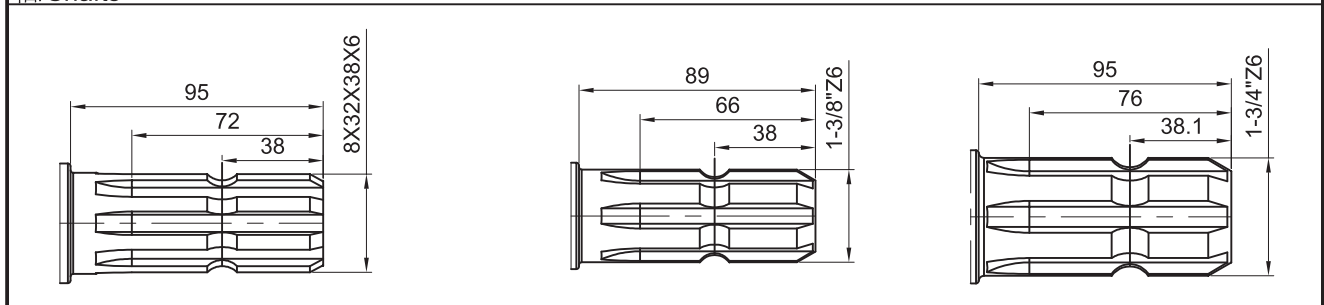
轴/Shfts

应用/USE	数比/RATIO	输入/INPUT				输出/OUTPUT	
		r.p.m	Kw	Hp	M	M	r.p.m
增速/SPEED MULTIPLIER	1:5.33	540	24	32	416	78	2878
		1000	36	49	344	65	5330
	1:4.50	540	29	40	520	116	2430
		1000	45	61	429	95	4500
	1:3.10	540	38	52	677	218	1674
		1000	59	80	562	181	3100
1:2.58	540	38	52	677	262	1393	
	1000	59	80	562	218	2580	
1:1.93	540	38	52	677	351	1042	
	1000	59	80	562	291	1930	
减速/SPEED REDUCER	1.93:1	540	25	34	442	854	280
		1000	38	52	365	705	518
	2.58:1	540	22	30	390	1007	209
		1000	34	46	323	834	388
	3.10:1	540	18	24	312	968	174
		1000	27	37	260	806	323
	4.50:1	540	11	15	195	878	120
		1000	17	23	162	727	222
	5.33:1	540	8	11	143	763	101
		1000	12	17	119	637	188

备注：如需其它要求可定制/Remark: If you have any special require feel free let me know, we also accept custom.

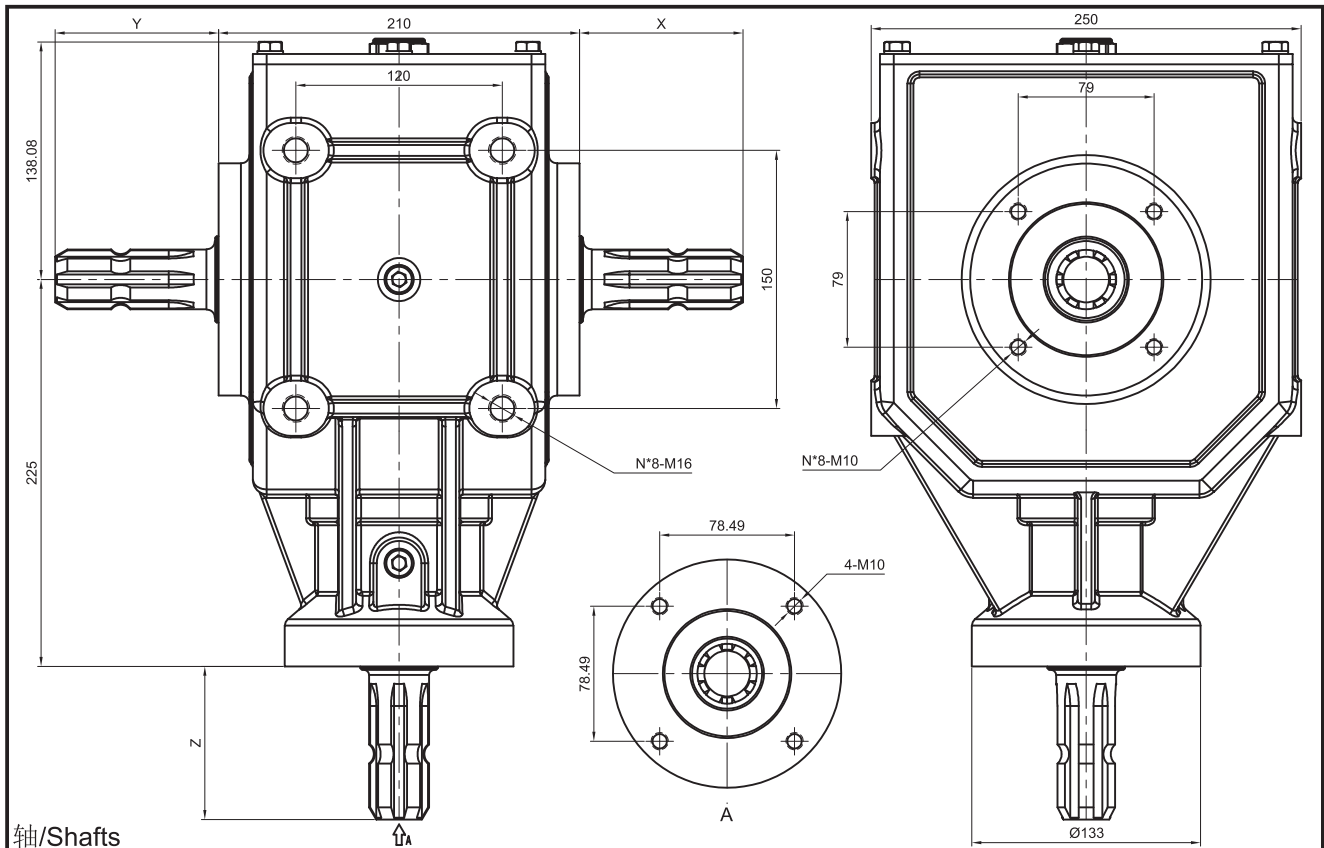


轴/Shafsts

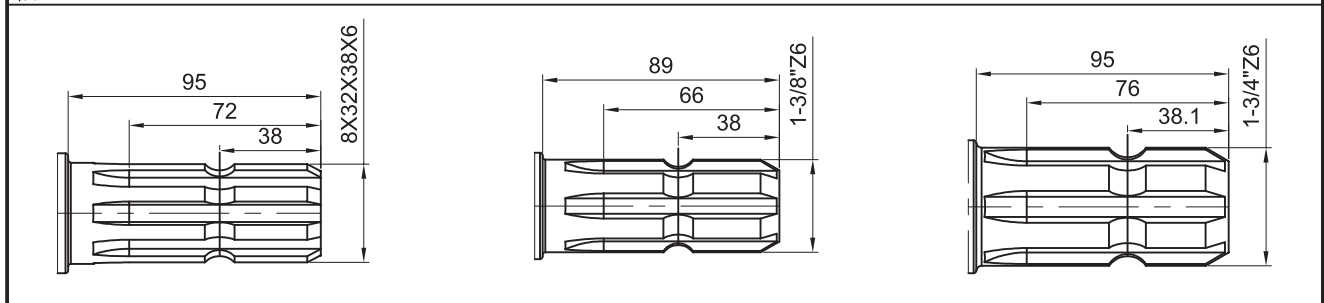


应用/USE	数比/RATIO	P 输入/INPUT			M 输出/OUTPUT		
		r.p.m	Kw	Hp	N.m	N.m	r.p.m
增速/SPEED MULTIPLIER	1:4.11	540	45	61	794	193	2219
		1000	69	94	660	161	4110
	1:3.10	540	54	73	950	306	1674
		1000	82	112	787	254	3100
减速/SPEED REDUCER	1:2.58	540	60	82	1067	414	1393
		1000	92	125	878	340	2580
	1:1.93	540	60	82	1067	553	1042
		1000	92	125	878	455	1930
减速/SPEED REDUCER	1.93:1	540	37	50	651	1256	280
		1000	57	77	541	1044	518
	2.58:1	540	32	44	572	1477	209
		1000	50	68	478	1233	388
3.10:1	540	24	33	429	1331	174	
	1000	37	51	358	1111	323	
4.11:1	540	18	25	325	1337	131	
	1000	28	38	267	1097	243	

备注：如需其它要求可定制/Remark: If you have any special require feel free let me know, we also accept custom.

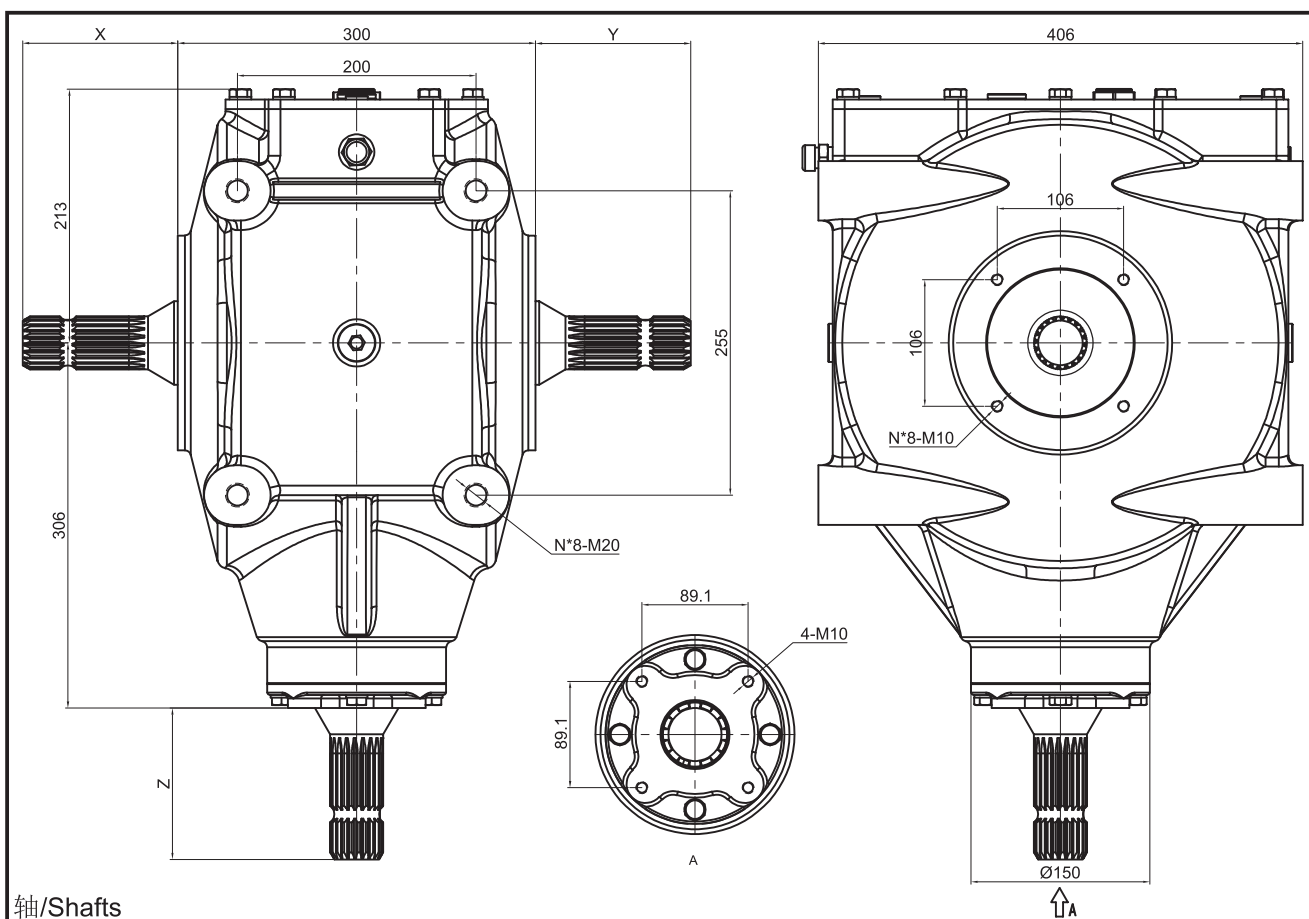


轴/Shafths

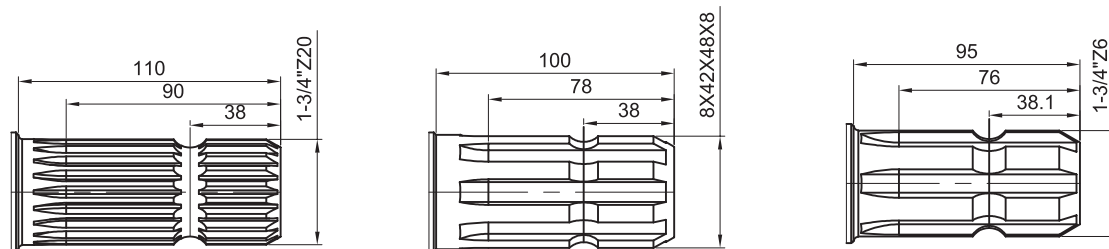


应用/USE	数比/RATIO	P 输入/INPUT			M	M 输出/OUTPUT	
		r.p.m	Kw	Hp	N.m	N.m	r.p.m
增速/SPEED MULTIPLIER	1:4.11	540	66	90	1171	285	2219
		1000	101	138	970	236	4110
	1:3.10	540	88	120	1561	504	1674
		1000	136	185	1300	419	3100
	1:2.46	540	88	120	1561	635	1328
		1000	136	185	1300	528	2460
1:1.93	540	107	145	1887	978	1042	
	1000	162	220	1546	801	1930	
减速/SPEED REDUCER	1.93:1	540	37	50	651	1256	280
		1000	57	77	541	1044	518
	2.46:1	540	46	63	820	2016	220
		1000	70	95	667	1642	407
	3.10:1	540	40	55	716	2218	174
		1000	62	85	597	1851	323
	4.11:1	540	27	37	481	1979	131
		1000	40	55	386	1588	243

备注：如需其它要求可定制/Remark: If you have any special require feel free let me know, we also accept custom.

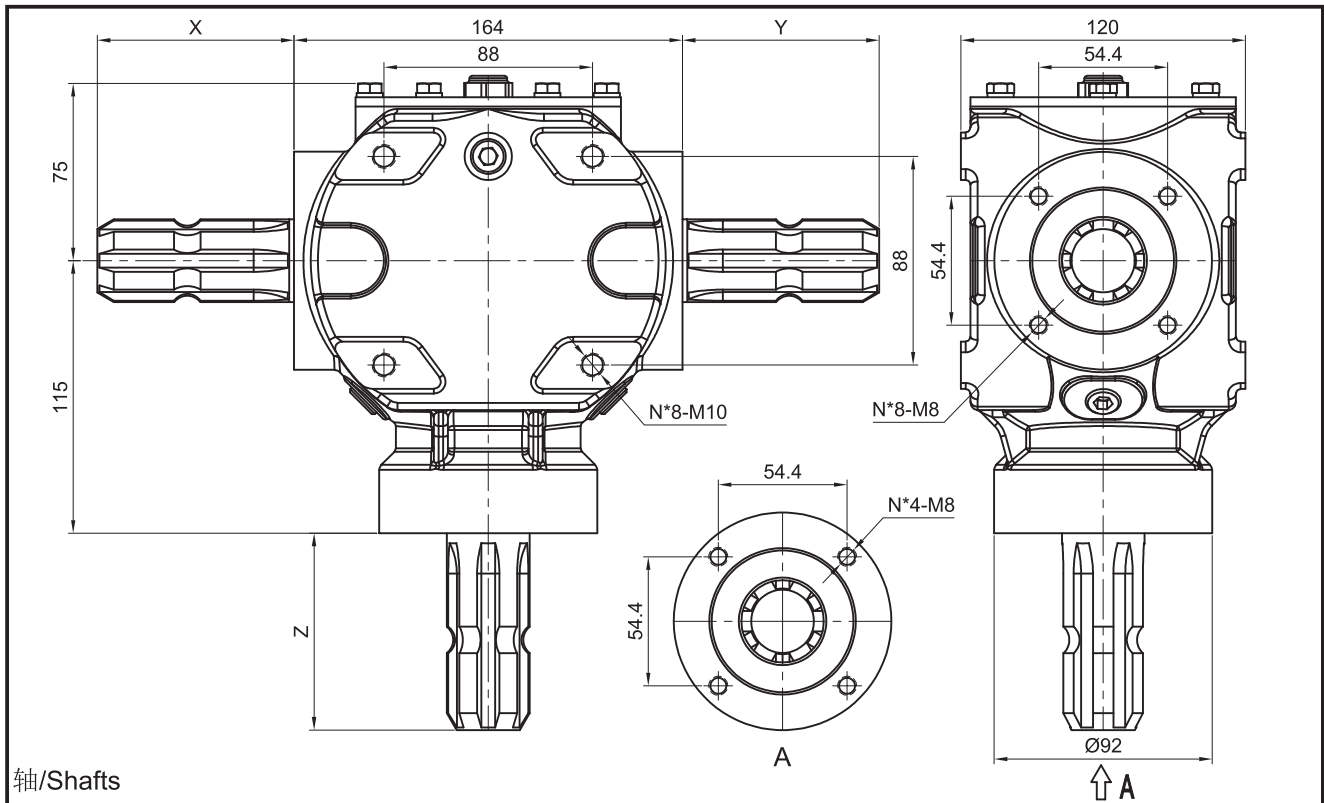


轴/Shfts

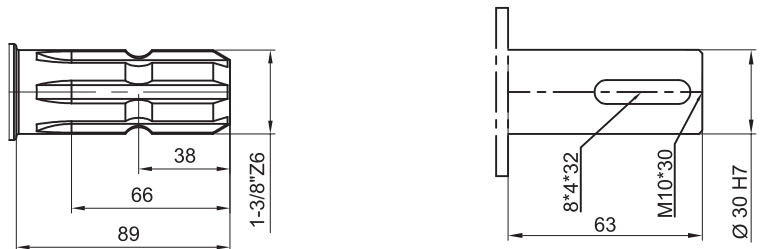


应用/USE	数比/RATIO	P 输入/INPUT			M	M 输出/OUTPUT	
		r.p.m	Kw	Hp	N.m	N.m	r.p.m
减速/SPEED REDUCER	1.94:1	540	147	200	2600	5044	278
		1000	220	300	2100	5061	515
	2.41:1	540	120	162	2100	5061	224
		1000	184	250	1755	4230	415
	2.92:1	540	96	130	1690	4935	185
		1000	147	200	1400	4088	342
	2.90:1	540	120	162	2100	6090	186
		1000	184	250	1755	5089	345
	4.12:1	540	74	100	1300	5356	131
		1000	114	155	1090	4490	243
	5.29:1	540	46	62	800	4232	102
		1000	66	90	630	3333	189

备注: 如需其它要求可定制/Remark: If you have any special require feel free let me know, we also accept custom.

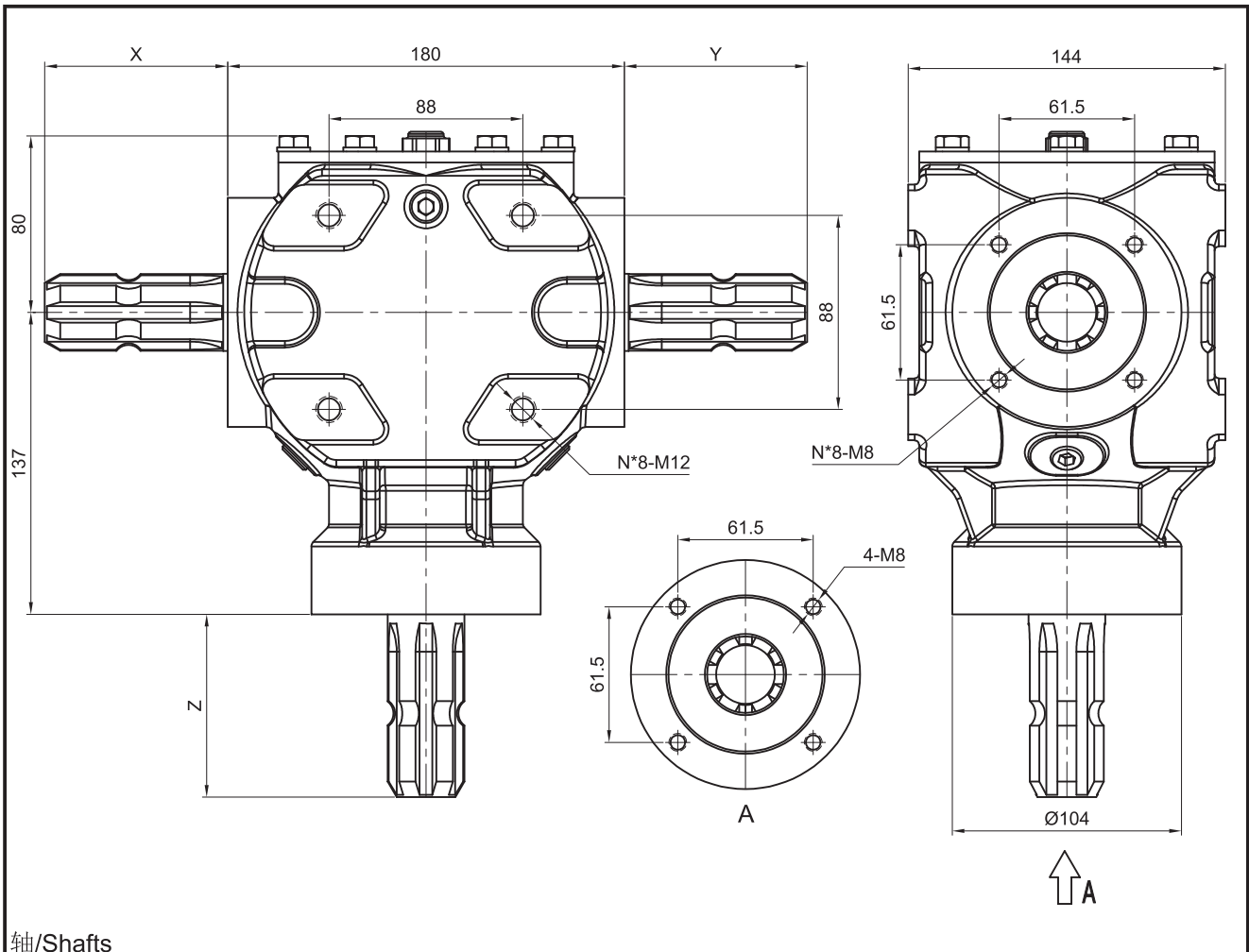


轴/Shfts

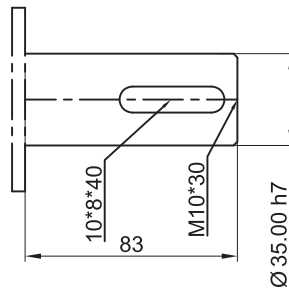
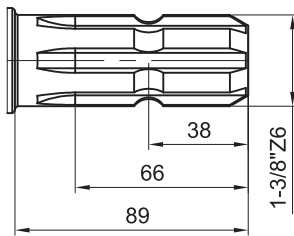


应用/USE	数比/RATIO	P 输入/INPUT			M 输出/OUTPUT		
		r.p.m	Kw	Hp	N.m	N.m	r.p.m
增速/SPEED MULTIPLIER	1:2.78	540	9	12	156	56	1501
		1000	14	19	133	48	2780
	1:1.90	540	14	19	247	130	1026
		1000	21	29	204	107	1900
1:1.46	540	18	24	312	214	788	
	1000	27	37	260	178	1460	
1:1.35	540	19	26	338	251	729	
	1000	29	40	281	208	1350	
1:1	540	22	30	390	390	540	
	1000	34	46	323	323	1000	
减速/SPEED REDUCER	1.35:1	540	16	22	286	386	400
		1000	25	34	239	322	741
	1.46:1	540	14	19	247	361	370
		1000	21	29	204	297	685
	1.90:1	540	9	12	156	297	284
		1000	13	18	126	240	526
	2.78:1	540	4	6	78	217	194
		1000	7	9	63	176	360

备注：如需其它要求可定制/Remark: If you have any special require feel free let me know, we also accept custom.

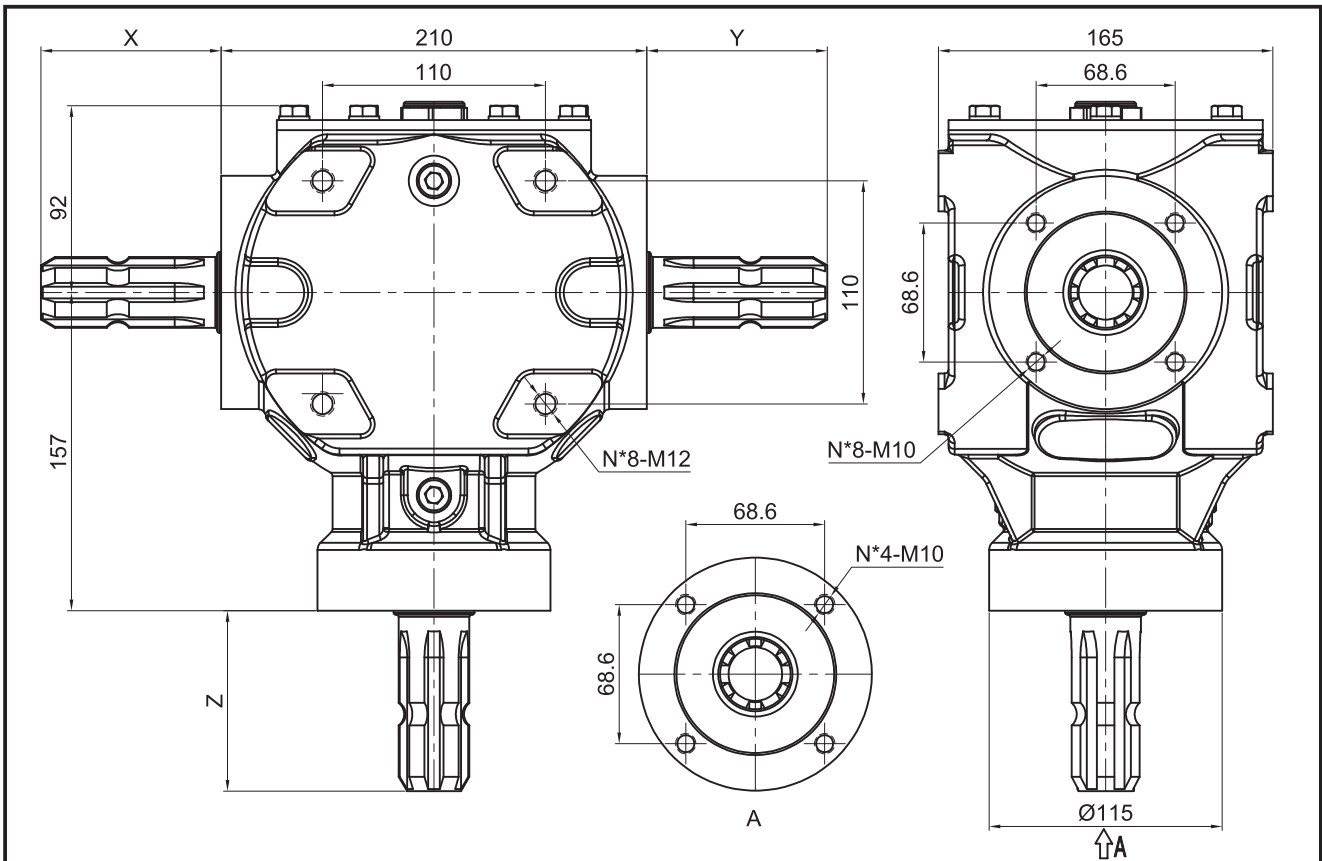


轴/Shfts

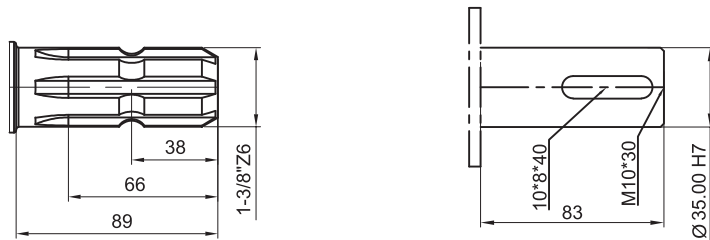


应用/USE	数比/RATIO	P 输入/INPUT			M 输出/OUTPUT		
		r.p.m	Kw	Hp	N.m	N.m	r.p.m
增速/SPEED MULTIPLIER	1:1.82	540	21	29	364	200	983
		1000	32	44	309	170	1820
	1:1.46	540	26	35	455	312	788
		1000	38	52	365	250	1460
	1:1	540	31	42	546	546	540
		1000	48	65	457	457	1000
减速/SPEED REDUCER	1.46:1	540	20	27	351	513	370
		1000	29	40	281	410	685
	1.82:1	540	13	18	234	426	297
		1000	21	29	204	371	549

备注: 如需其它要求可定制/Remark: If you have any special require feel free let me know, we also accept custom.

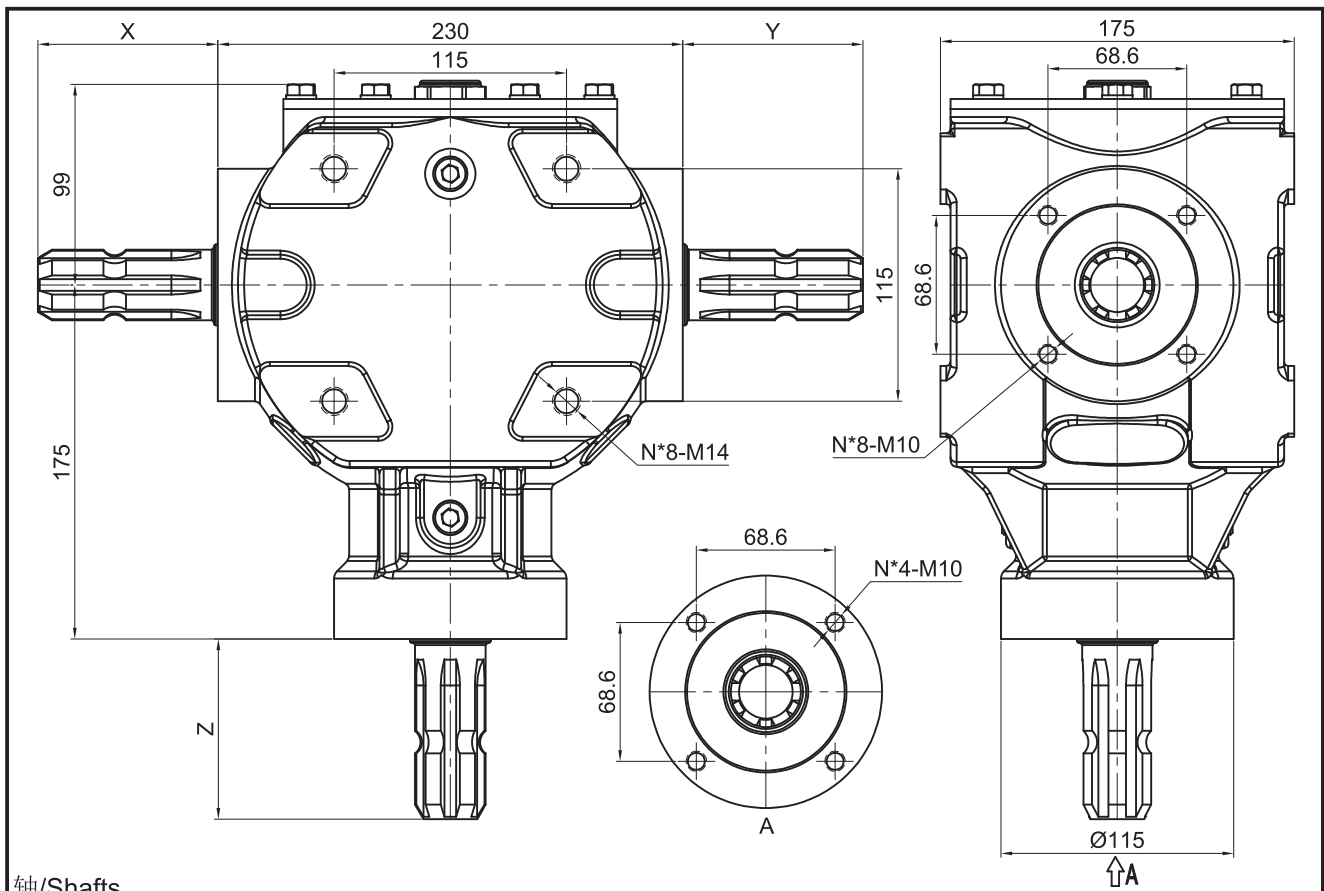


轴/Shfts

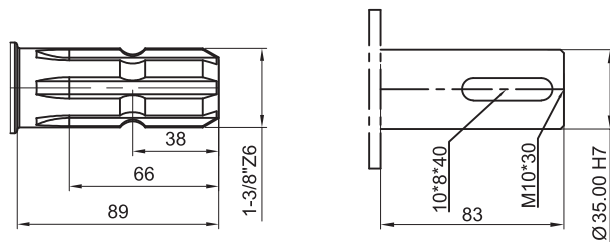


应用/USE	数比/RATIO	P 输入/INPUT				M 输出/OUTPUT	
		r.p.m	Kw	Hp	M	N.m	r.p.m
增速/SPEED MULTIPLIER	1:2.56	540	21	29	377	147	1382
		1000	33	45	316	124	2560
	1:1.91	540	29	40	520	272	1031
		1000	46	62	436	228	1910
	1:1.46	540	37	50	651	446	788
		1000	57	77	541	371	1460
1:1	540	49	66	859	859	540	
	1000	75	102	717	717	1000	
减速/SPEED REDUCER	1.46:1	540	28	38	494	722	370
		1000	43	58	408	595	685
	1.91:1	540	18	25	325	621	283
		1000	28	38	267	510	524
	2.56:1	540	10	14	182	466	211
		1000	16	22	155	396	391

备注：如需其它要求可定制/Remark: If you have any special require feel free let me know, we also accept custom.

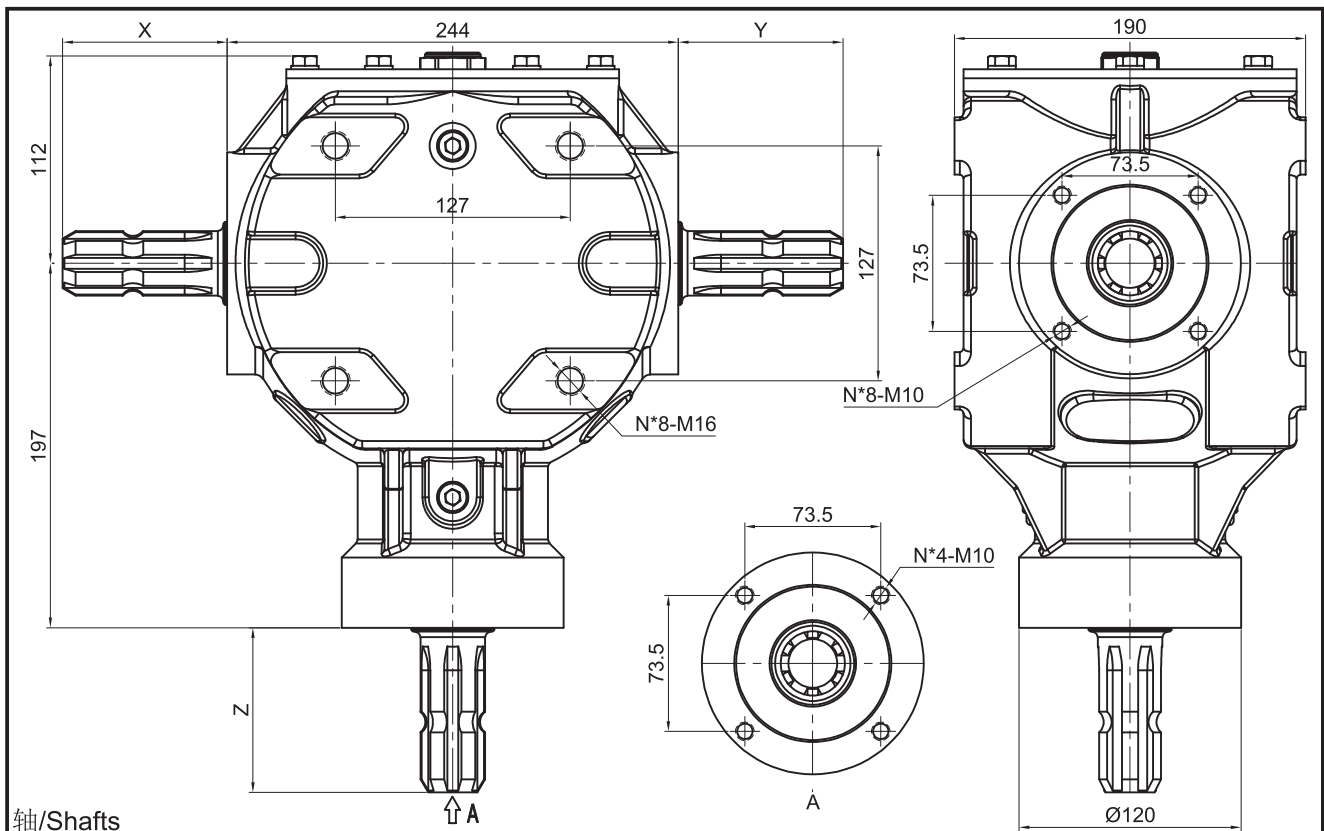


轴/Shfts

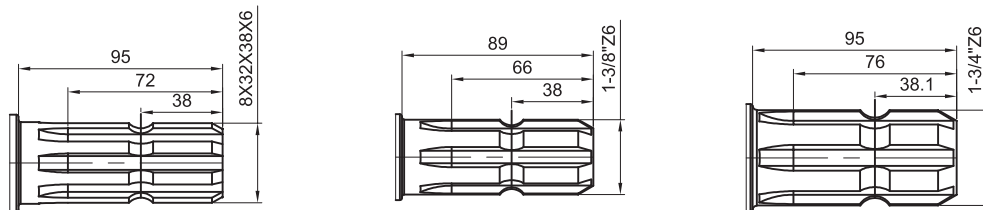


应用/USE	数比/RATIO	P 输入/INPUT			M 输出/OUTPUT		
		r.p.m	Kw	Hp	N.m	N.m	r.p.m
增速/SPEED MULTIPLIER	1:1.92	540	43	58	755	393	1037
		1000	66	90	632	329	1920
	1:1.50	540	60	82	1067	711	810
		1000	93	126	885	590	1500
	1:1.35	540	60	82	1067	790	729
		1000	93	126	885	656	1350
减速/SPEED REDUCER	1:1	540	66	90	1171	1171	540
		1000	99	135	948	948	1000
	1.35:1	540	48	65	846	1142	400
		1000	74	100	703	948	741
	1.50:1	540	44	60	781	1171	360
		1000	68	92	646	970	667
1.92:1	540	26	35	455	874	281	
	1000	40	54	379	728	521	

备注: 如需其它要求可定制/Remark: If you have any special require feel free let me know, we also accept custom.

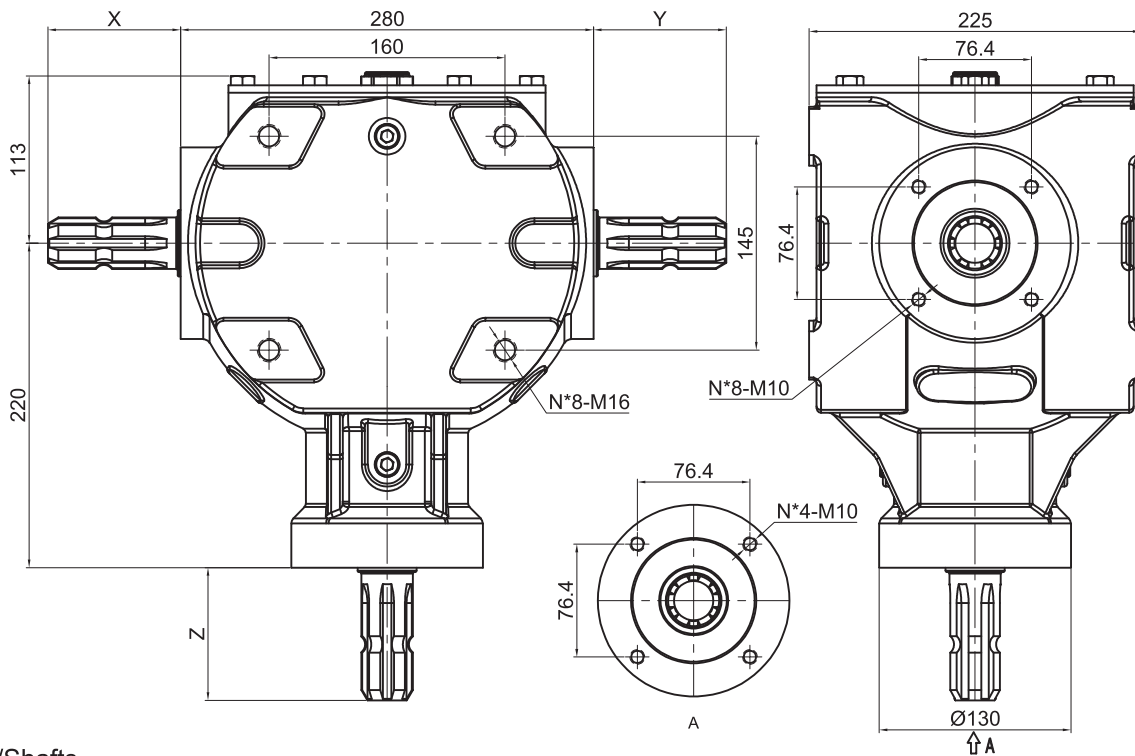


轴/Shfts

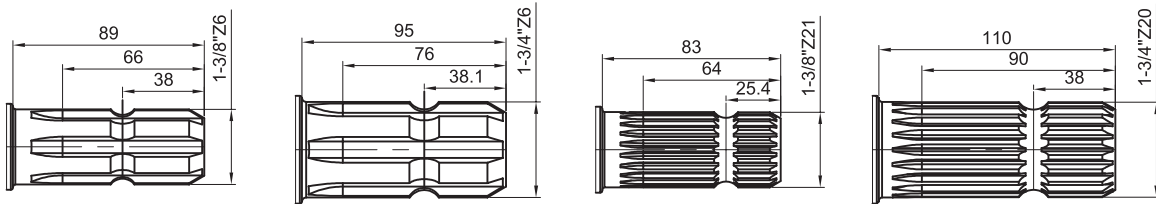


应用/USE	数比/RATIO	P 输入/INPUT			M 输出/OUTPUT		
		r.p.m	Kw	Hp	N.m	N.m	r.p.m
增速/SPEED MULTIPLIER	1:2.30	540	44	60	781	339	1242
		1000	68	92	646	281	2300
	1:1.92	540	51	70	911	474	1037
		1000	79	108	759	395	1920
1:1.57	540	67	91	1184	754	848	
	1000	103	140	984	627	1570	
1:1.35	540	77	105	1366	1012	729	
	1000	118	161	1131	838	1350	
1:1	540	81	110	1431	1431	540	
	1000	125	170	1194	1194	1000	
减速/SPEED REDUCER	1.35:1	540	62	85	1106	1493	400
		1000	96	130	913	1233	741
	1.57:1	540	49	66	859	1348	344
		1000	74	101	710	1114	637
	1.92:1	540	33	45	585	1124	281
		1000	50	68	478	917	521
	2.30:1	540	26	35	455	1047	235
		1000	40	54	379	873	435

备注：如需其它要求可定制/Remark: If you have any special require feel free let me know, we also accept custom.



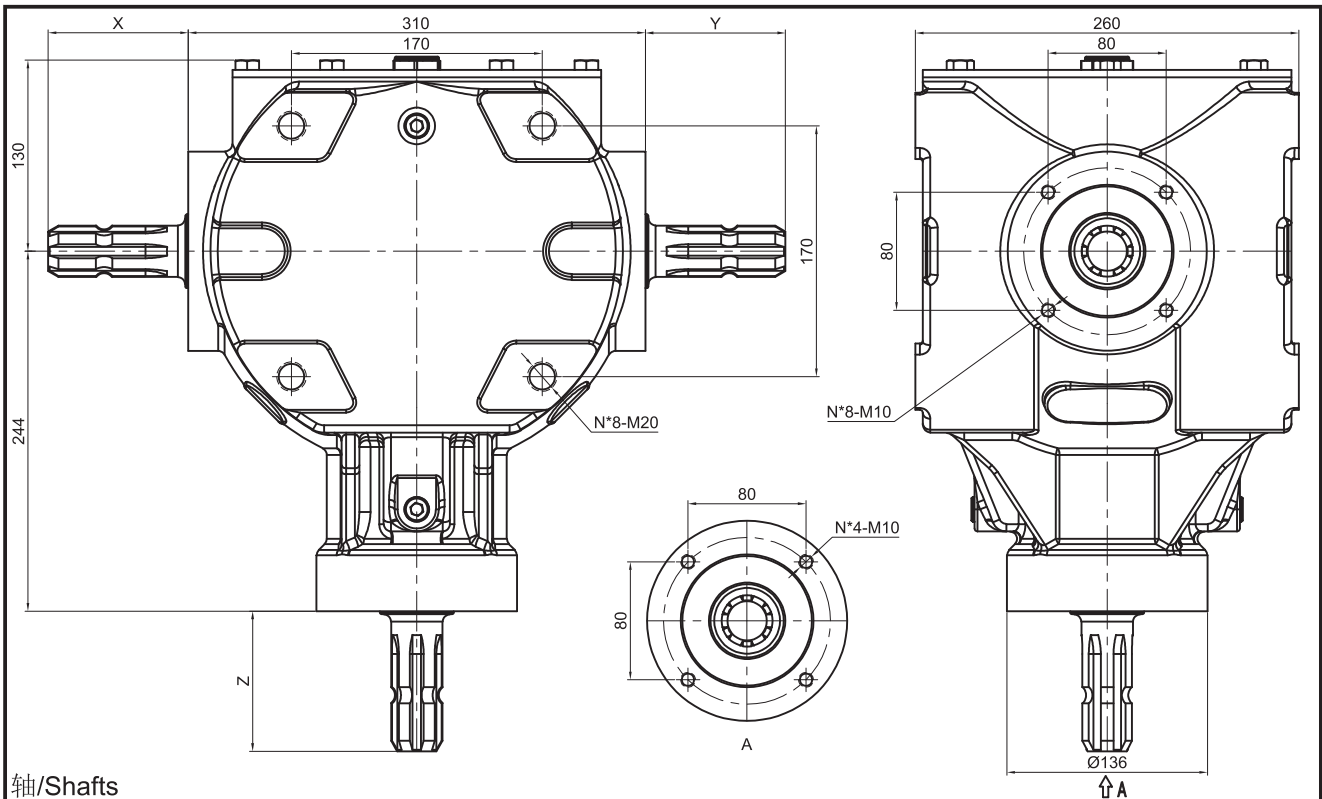
轴/Shfts



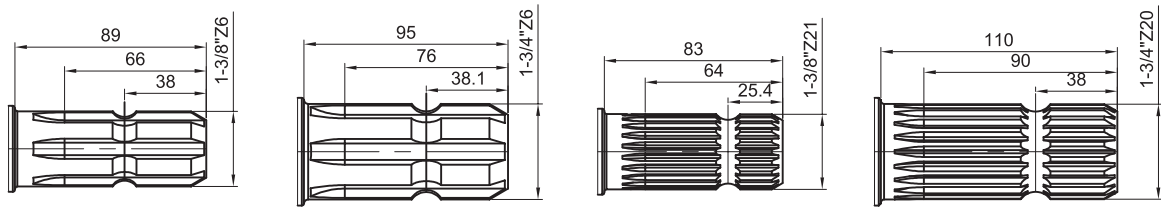
应用/USE	数比/RATIO	P 输入/INPUT			M 输出/OUTPUT		
		r.p.m	Kw	Hp	N.m	N.m	r.p.m
增速/SPEED MULTIPLIER	1:2.30	540	61	83	1080	468	1246
		1000	94	128	900	390	2308
	1:1.93	540	76	103	1340	694	1042
		1000	117	159	1117	579	1930
1:1.47	540	98	133	1730	1177	794	
	1000	152	207	1454	990	1470	
1:1.35	540	101	138	1795	1330	729	
	1000	155	211	1482	1098	1350	
1:1	540	100	137	1782	1782	540	
	1000	155	211	1482	1482	1000	
减速/SPEED REDUCER	1.35:1	540	81	110	1431	1932	400
		1000	124	169	1187	1602	741
	1.47:1	540	75	102	1327	1951	367
		1000	115	157	1102	1621	680
	1.93:1	540	48	65	845	1630	280
		1000	73	100	702	1355	518
	2.30:1	540	34	46	598	1380	234
		1000	52	71	499	1152	433

备注: 如需其它要求可定制/Remark: If you have any special require feel free let me know, we also accept custom.

KLF2155

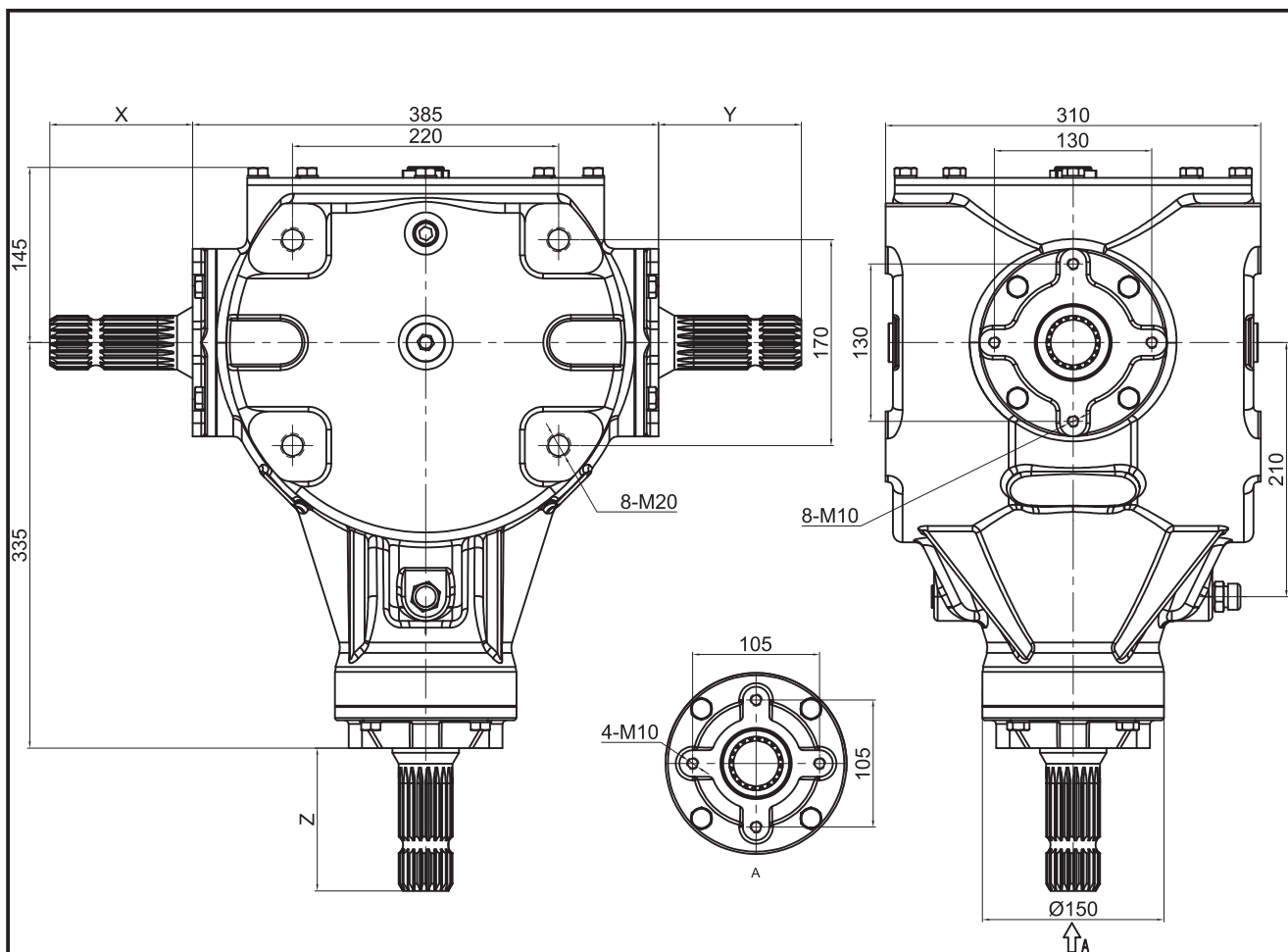


轴/Shfts

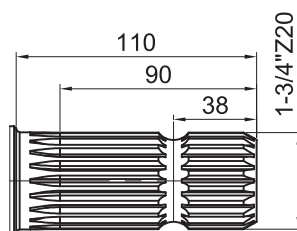


应用/USE	数比/RATIO	P 输入/INPUT			M 输出/OUTPUT		
		r.p.m	Kw	Hp	N.m	N.m	r.p.m
增速/SPEED MULTIPLIER	1:2.42	540	107	145	1887	780	1307
		1000	164	223	1567	647	2420
	1:1.93	540	121	165	1340	1112	1042
		1000	184	250	1117	910	1930
1:1.53	540	125	170	2212	1446	826	
	1000	192	261	1834	1199	1530	
1:1.25	540	126	172	2238	1790	675	
	1000	195	265	1862	1489	1250	
1:1	540	121	165	2147	2147	540	
	1000	184	250	1756	1756	1000	
减速/SPEED REDUCER	1.25:1	540	111	151	1965	2456	432
		1000	171	232	1630	2038	800
	1.53:1	540	97	132	1717	2628	353
		1000	149	203	1426	2182	654
	1.93:1	540	81	110	1431	2762	280
		1000	124	169	1187	2292	518
	2.42:1	540	59	80	1041	2519	223
		1000	90	123	864	2019	413

备注：如需其它要求可定制/Remark: If you have any special require feel free let me know, we also accept custom.

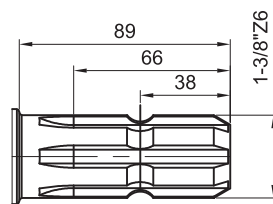
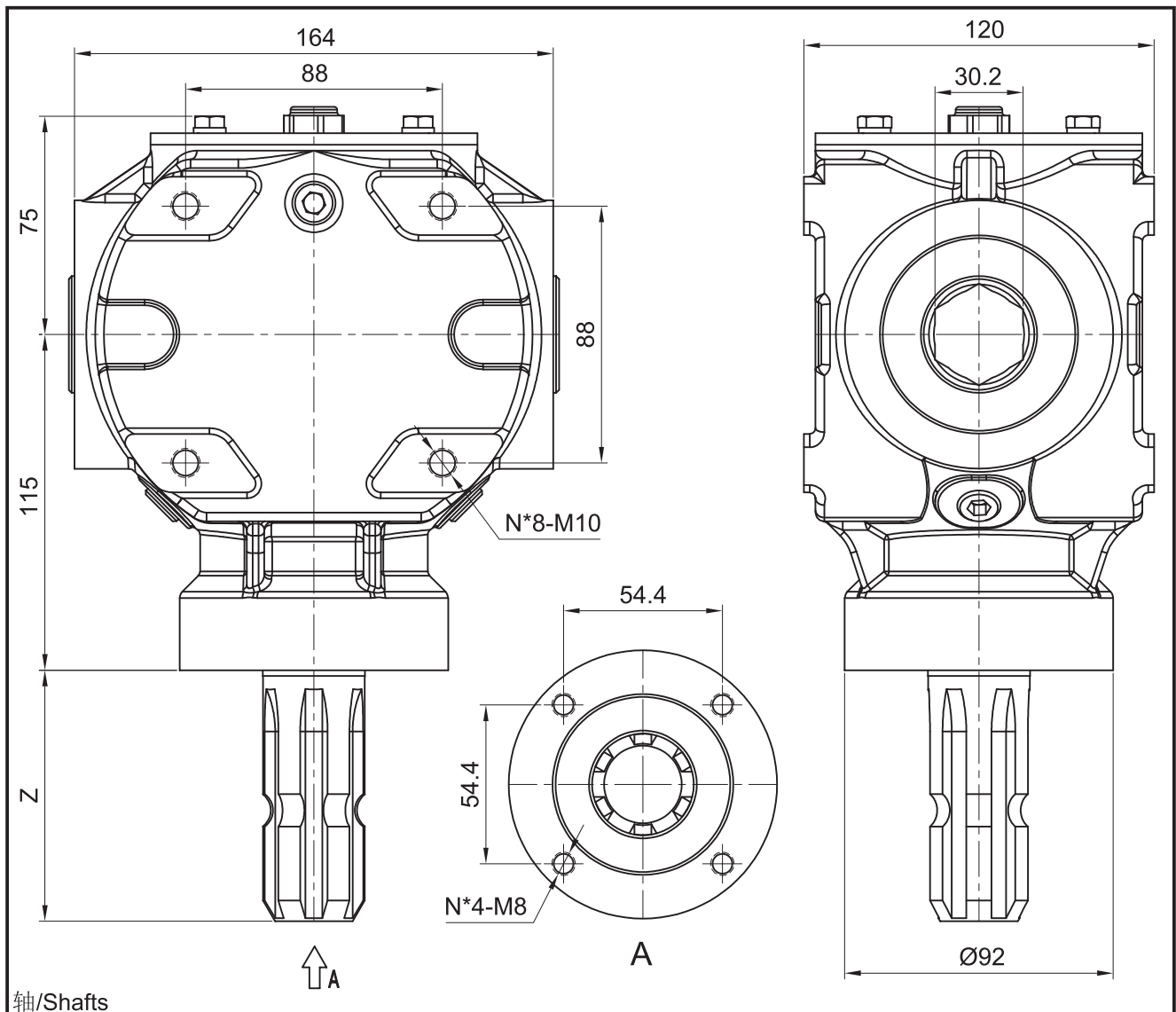


轴/Shfts



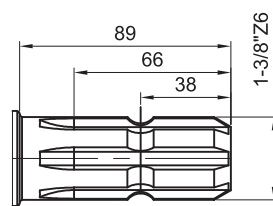
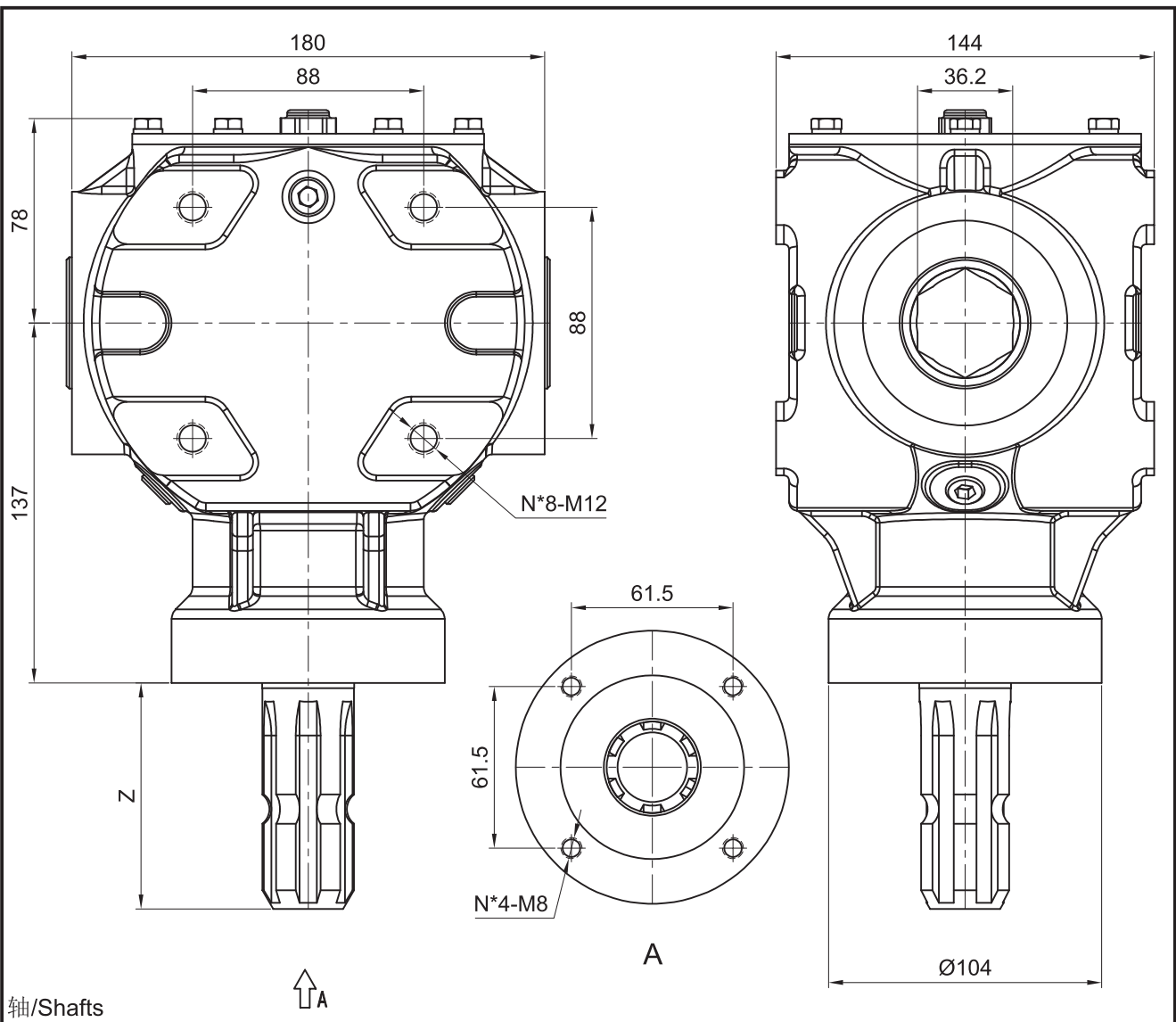
应用/USE	数比/RATIO	P 输入/INPUT			M	M 输出/OUTPUT	
		r.p.m	Kw	Hp	N.m	N.m	r.p.m
增速/SPEED MULTIPLIER	1:1.53	540	220	275	3578	2339	826
		1000	241	328	2305	1506	1530
	1:1.25	540	190	258	3355	2684	675
		1000	253	344	2415	1932	1250
	1:1	540	176	240	3123	3123	540
		1000	265	360	2529	2529	1000
减速/SPEED REDUCER	1.25:1	540	162	220	2861	3576	432
		1000	235	320	2247	2809	800
	1.53:1	540	147	200	2602	3981	353
		1000	213	290	2038	3117	654

备注：如需其它要求可定制/Remark: If you have any special require feel free let me know, we also accept custom.



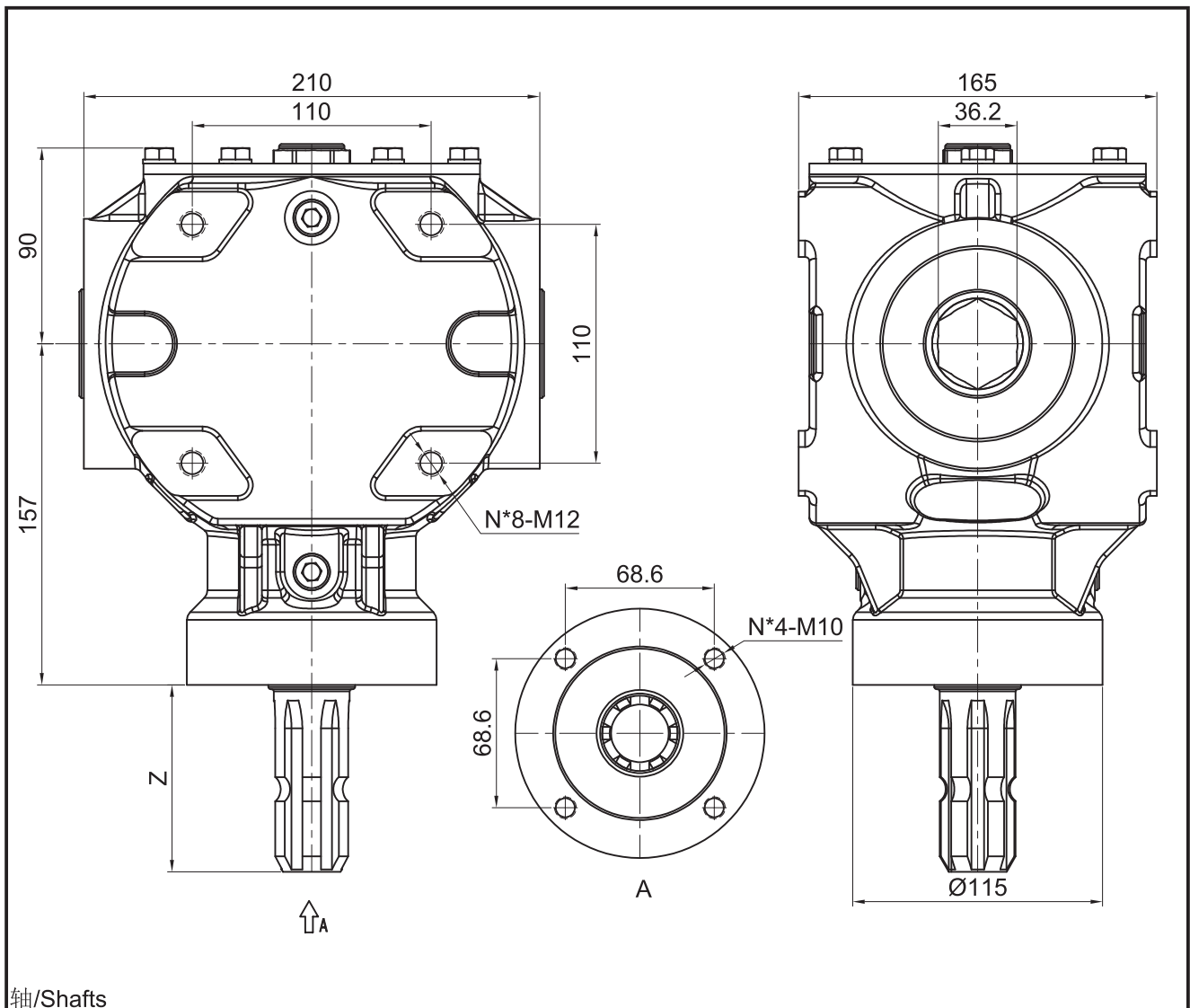
应用/USE	数比/RATIO	P 输入/INPUT			M	M 输出/OUTPUT	
		r.p.m	Kw	Hp	N.m	N.m	r.p.m
减速/SPEED REDUCER	1.35:1	540	15	20	260	351	400
	1.46:1	540	13	18	234	342	370
	1.90:1	540	9	12	156	297	284

备注：如需其它要求可定制/Remark: If you have any special require feel free let me know, we also accept custom.

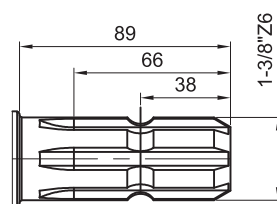


应用/USE	数比/RATIO	P 输入/INPUT			M	M 输出/OUTPUT	
		r.p.m	Kw	Hp	N.m	N.m	r.p.m
减速/SPEED REDUCER	1.46:1	540	19	26	338	494	370
	1.75:1	540	15	20	260	455	309
	1.81:1	540	13	18	234	424	298

备注: 如需其它要求可定制/Remark: If you have any special require feel free let me know, we also accept custom.

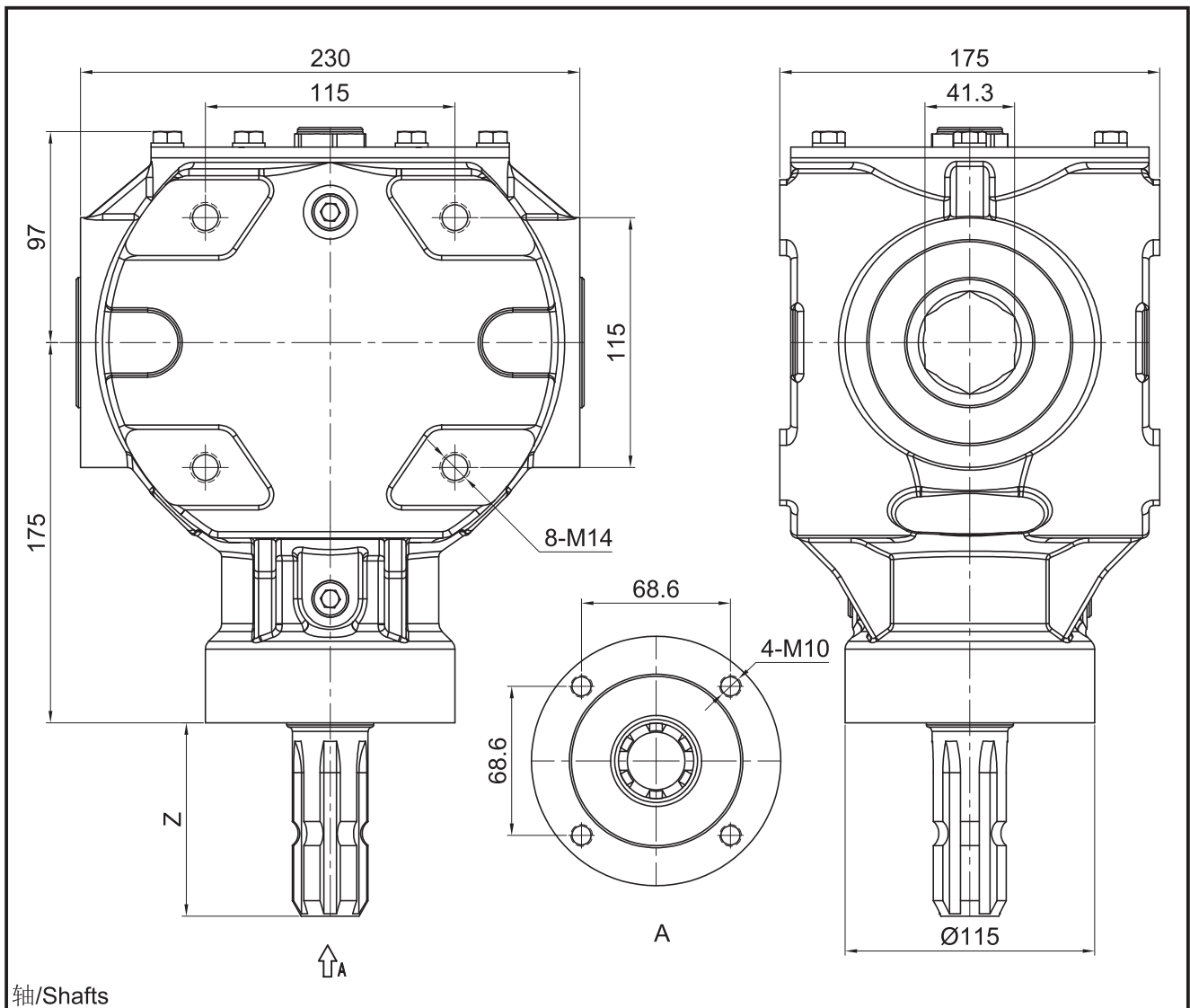


轴/Shfts

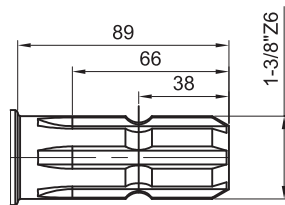


应用/USE	数比/RATIO	P 输入/INPUT			M	M 输出/OUTPUT	
		r.p.m	Kw	Hp	N.m	N.m	r.p.m
减速/SPEED REDUCER	1.46:1	540	35	48	625	912	370
	1.69:1	540	29	40	520	880	320
	1.91:1	540	24	32	416	795	283

备注：如需其它要求可定制/Remark: If you have any special require feel free let me know, we also accept custom.

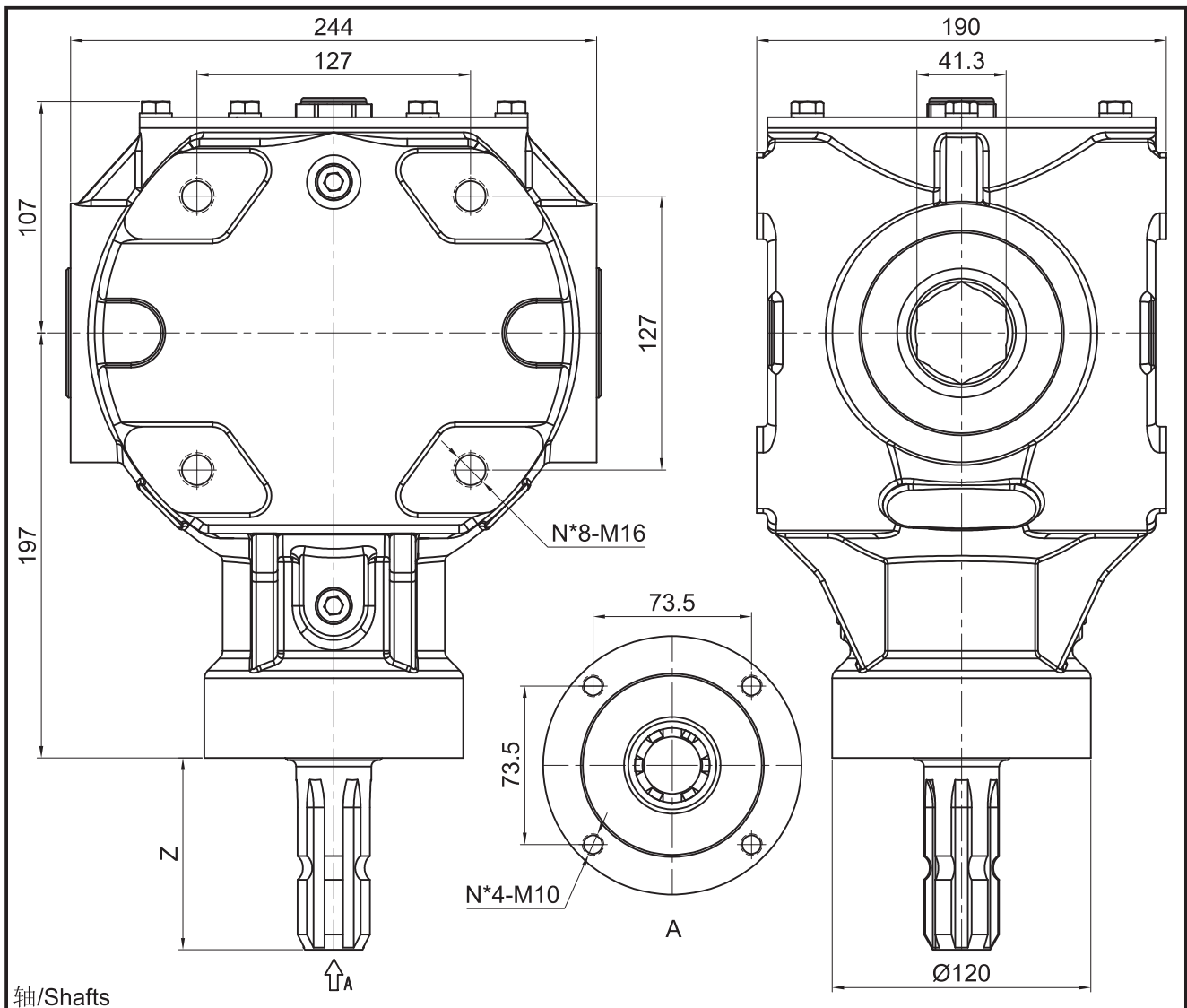


轴/Shfts

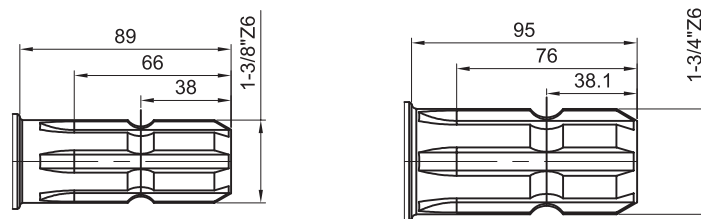


应用/USE	数比/RATIO	P 输入/INPUT			M	M 输出/OUTPUT	
		r.p.m	Kw	Hp	N.m	N.m	r.p.m
减速/SPEED REDUCER	1.50:1	540	40	54	703	1054	360
	1.92:1	540	27	37	481	924	281

备注：如需其它要求可定制/Remark: If you have any special require feel free let me know, we also accept custom.

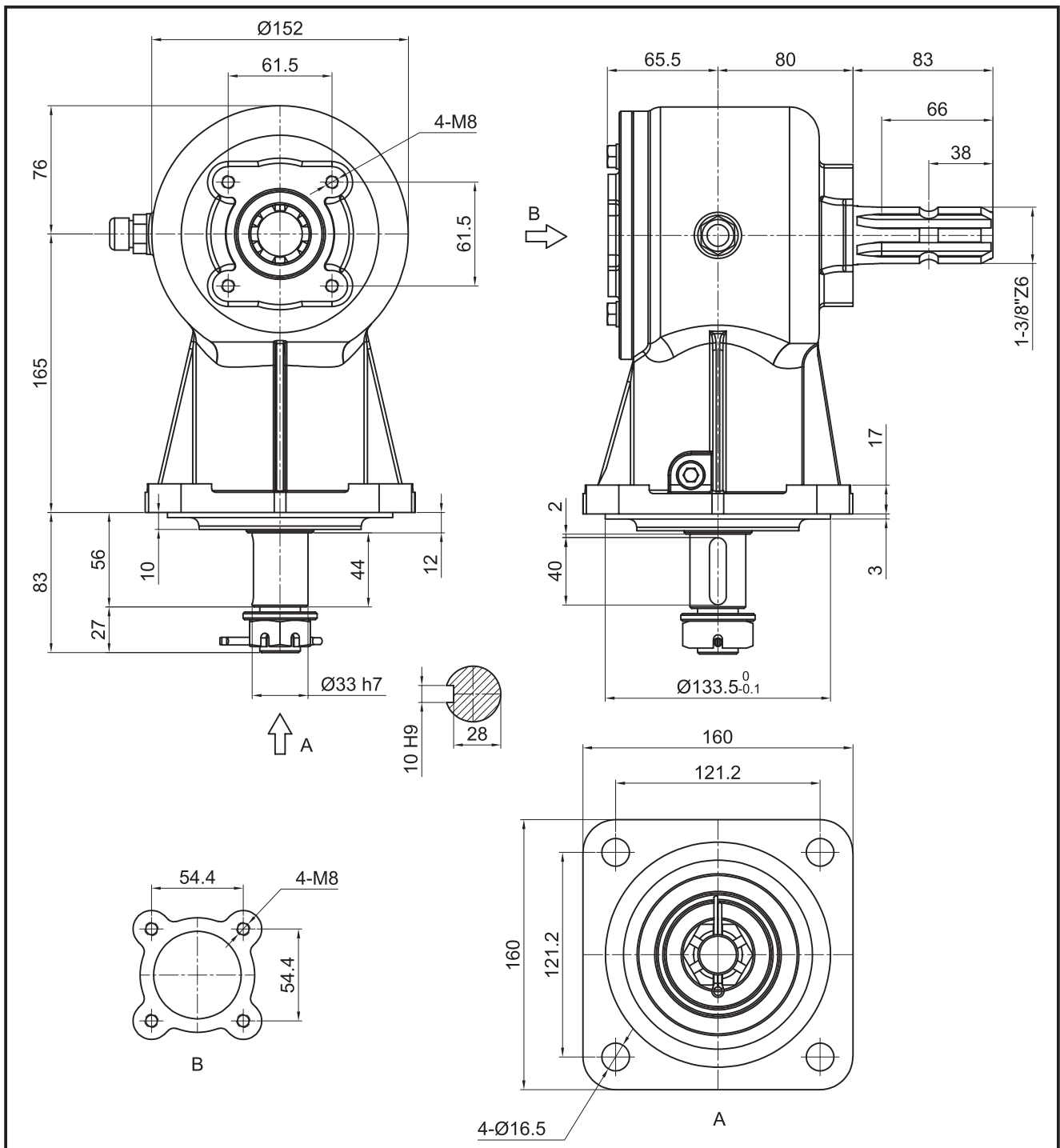


轴/Shfts



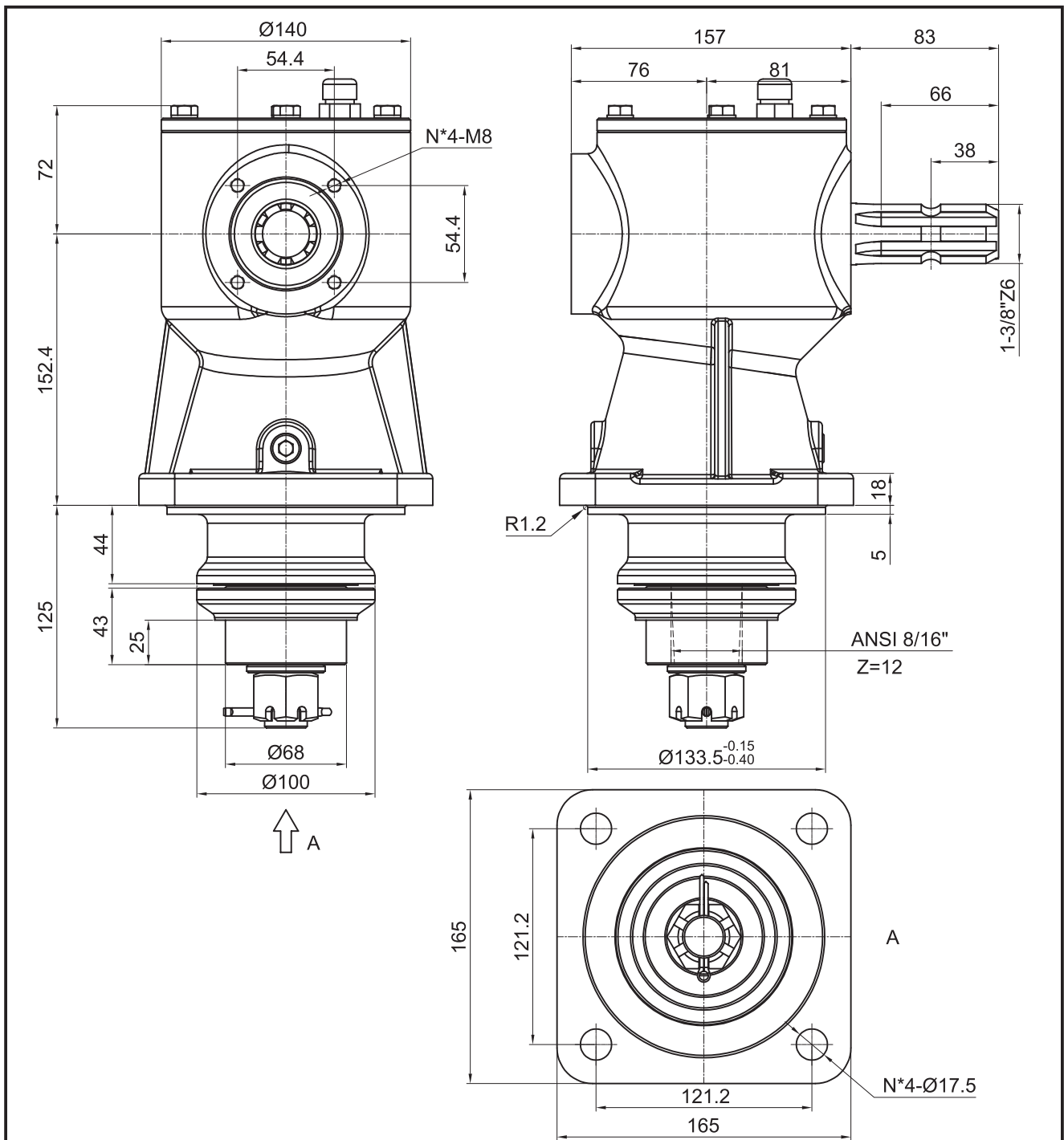
应用/USE	数比/RATIO	P 输入/INPUT			M	M 输出/OUTPUT	
		r.p.m	Kw	Hp	N.m	N.m	r.p.m
减速/SPEED REDUCER	1.57:1	540	49	66	859	1348	344
	1.92:1	540	33	45	585	1124	281

备注: 如需其它要求可定制/Remark: If you have any special require feel free let me know, we also accept custom.



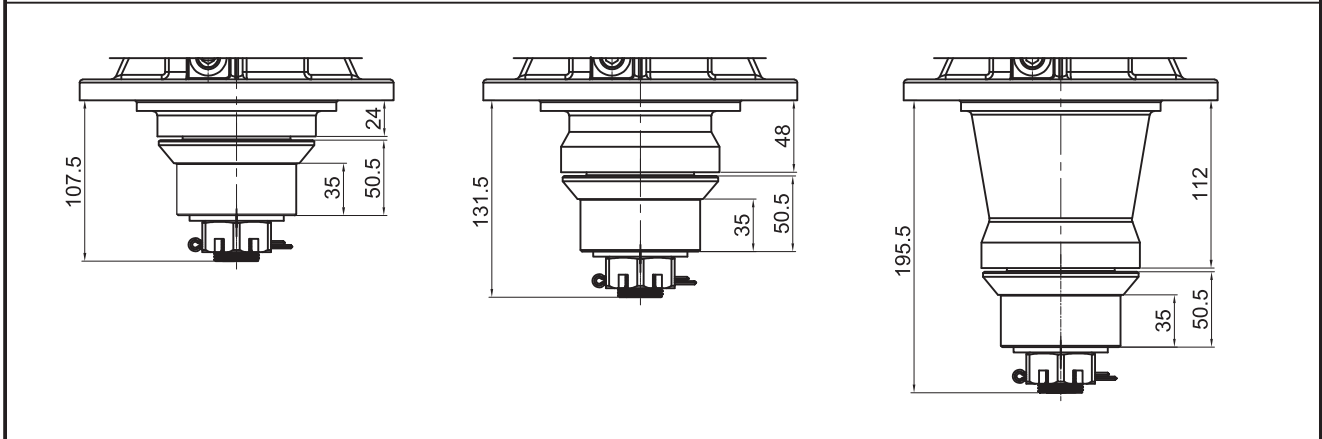
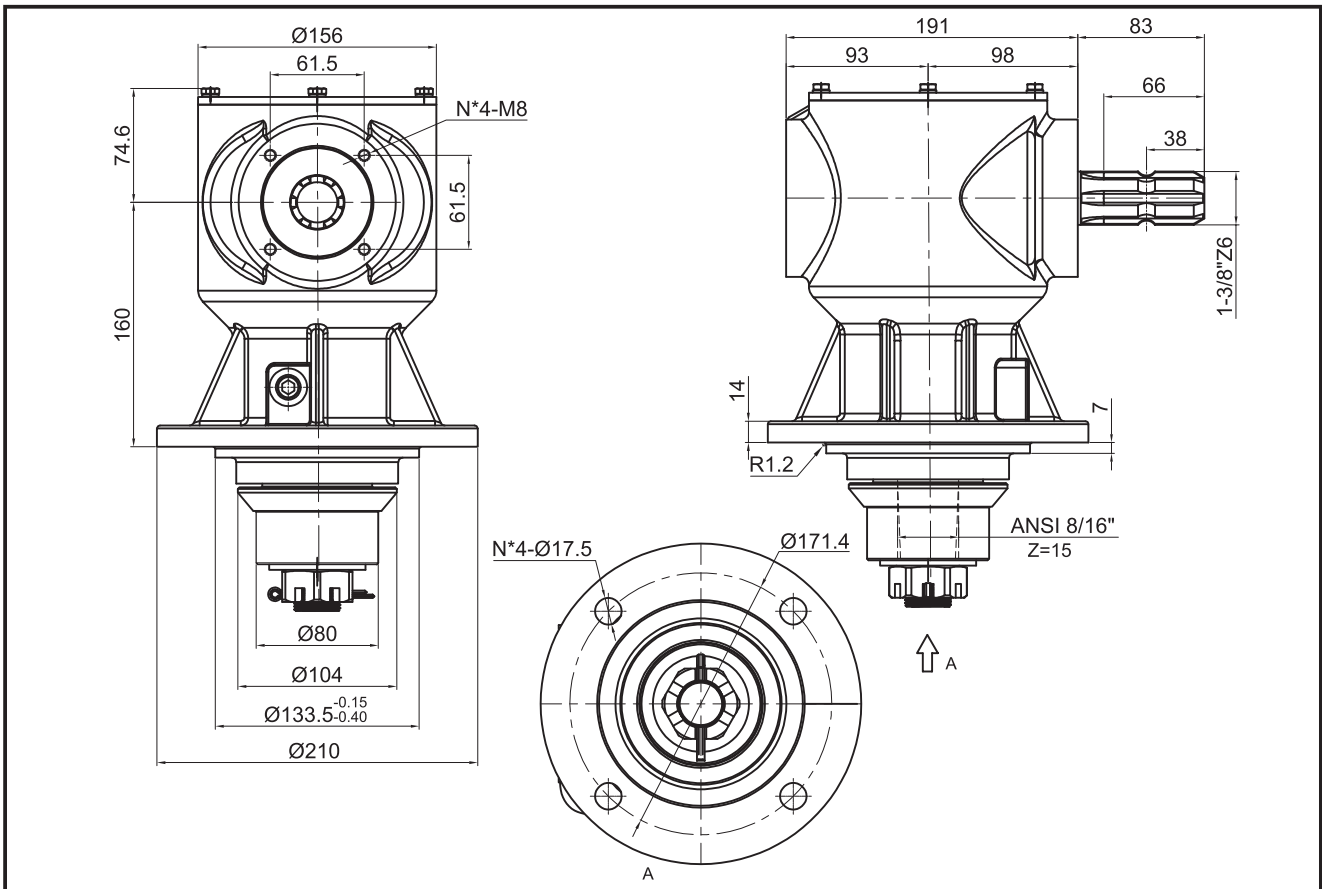
应用/USE	数比/RATIO	P 输入/INPUT			M	M 输出/OUTPUT	
		r.p.m	Kw	Hp	N.m	N.m	r.p.m
增速/SPEED MULTIPLIER	1:2.82	540	15	20	260	90	1523

备注: 如需其它要求可定制/Remark: If you have any special require feel free let me know, we also accept custom.



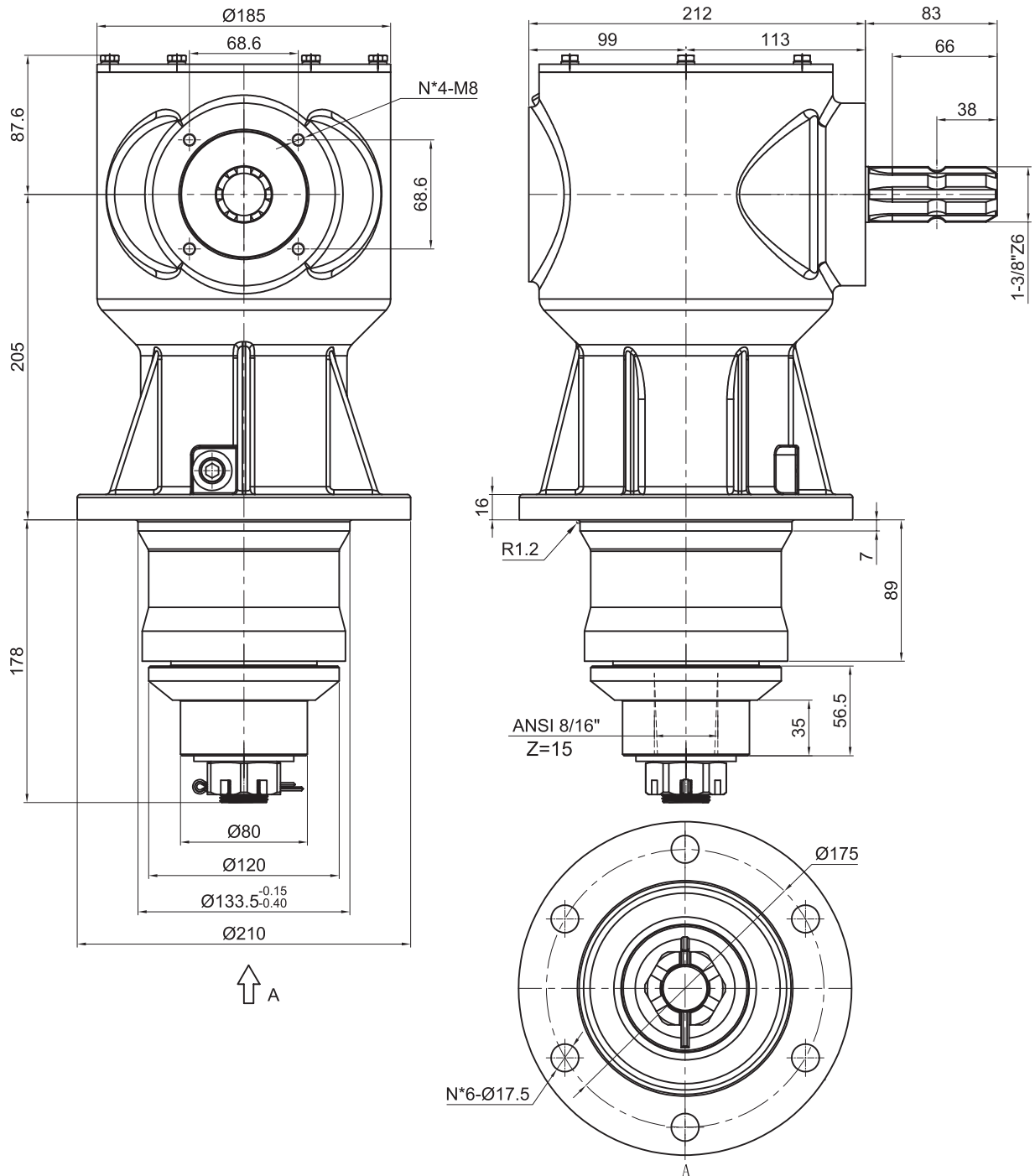
应用/USE	数比/RATIO	P 输入/INPUT			M	M 输出/OUTPUT	
		r.p.m	Kw	Hp	N.m	N.m	r.p.m
增速/SPEED MULTIPLIER	1:1.90	540	22	30	390	205	1026
		1000	34	46	324	271	1900
	1:1.66	540	26	36	468	282	896
		1000	41	56	389	235	1660
	1:1.50	540	29	40	520	347	810
		1000	45	62	433	288	1500

备注: 如需其它要求可定制/Remark: If you have any special require feel free let me know, we also accept custom.



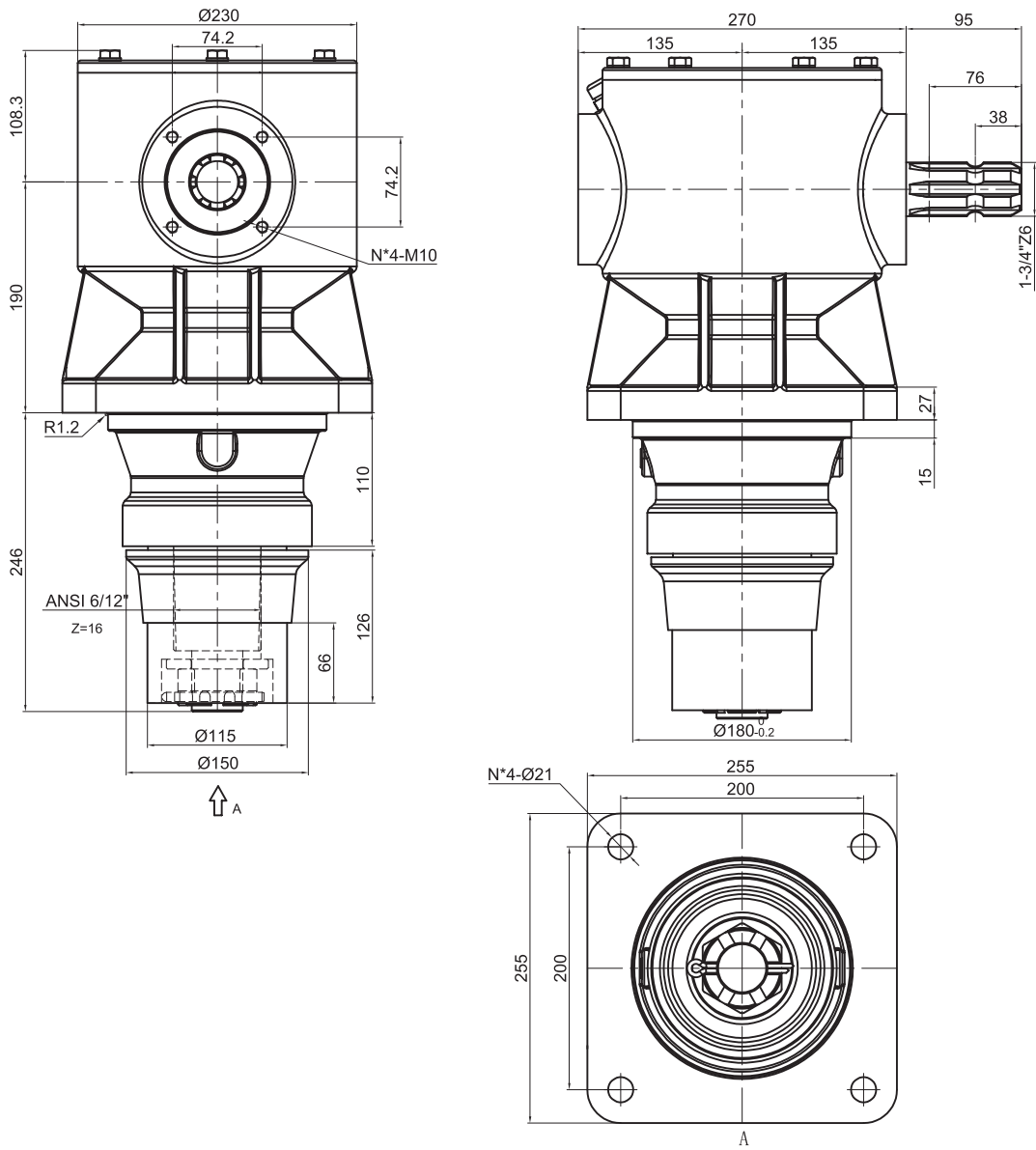
应用/USE	数比/RATIO	P 输入/INPUT			M	M 输出/OUTPUT	
		r.p.m	Kw	Hp	N.m	N.m	r.p.m
增速/SPEED MULTIPLIER	1:2.15	540	29	40	520	242	1161
		1000	45	62	433	201	2150
	1:1.86	540	33	45	585	315	1003
		1000	51	70	487	262	1860
	1:1.67	540	37	50	650	390	900
		1000	57	77	541	324	1670
	1:1.47	540	40	55	715	487	792
		1000	62	85	595	405	1470
	1:1.25	540	44	60	780	624	675
		1000	68	93	649	519	1250

备注: 如需其它要求可定制/Remark: If you have any special require feel free let me know, we also accept custom.



应用/USE	数比/RATIO	P 输入/INPUT			M	M 输出/OUTPUT	
		r.p.m	Kw	Hp	N.m	N.m	r.p.m
增速/SPEED MULTIPLIER	1:1.92	540	48	65	845	440	1037
		1000	74	100	703	366	1920
	1:1.50	540	53	72	936	624	810
		1000	82	111	779	519	1500
	1:1.25	540	55	75	975	780	675
		1000	85	116	811	649	1250

备注: 如需其它要求可定制/Remark: If you have any special require feel free let me know, we also accept custom.



应用/USE	数比/RATIO	P 输入/INPUT			M 输出/OUTPUT		
		r.p.m	Kw	Hp	N.m	N.m	r.p.m
增速/SPEED MULTIPLIER	1:1.87	540	66	90	1170	626	1010
		1000	102	139	973	521	1870
	1:1.50	540	70	100	1300	867	810
		1000	114	155	1082	721	1500
	1:1.25	540	77	105	1365	1092	675
		1000	119	162	1136	908	1250
1:1	540	81	110	1430	1430	540	
	1000	125	170	1190	1190	1000	
减速/SPEED REDUCER	1.25:1	540	67	91	1183	1479	432
		1000	103	141	984	1230	800
	1.50:1	540	57	78	1014	1520	360
		1000	89	121	844	1265	667
	1.87:1	540	43	58	754	1409	289
		1000	66	90	627	1172	535

备注: 如需其它要求可定制/Remark: If you have any special require feel free let me know, we also accept custom.

**携手并进
共创未来**



凯临钒机械（杭州）有限公司

地址：浙江省杭州市萧山经济技术开发区红泰五路68号

电话：+86 0571 83692875

传真：+86 0571 83691975

销售热线：+86 15168393838 +86 13588450288

E-mail: liu.xm@kadiva.cn zheng.yf@kadiva.cn

http: //www.hz-kadiva.com